

USER GUIDE

PIVOT A20A

For iPad Pro 11-inch (1st, 2nd, and 3rd gen.) / iPad Air (4th gen.)



[Issued 11.15.2021 Version R02]

PIVOT

Better Connection. Better Protection.

PIVOT™

Better Connection. Better Protection.
*Making the **Case** for Aviation.*

A20A | User Guide

For iPad Pro 11-inch (1st, 2nd, and 3rd gen.) / iPad Air (4th gen.)

Read Before Use

Your PIVOT case is designed to provide superior device protection while combining functionality and aesthetics. Following the recommendations in this guide will ensure maximum performance with proper use of the case.

WARNING: *Before removing your device from your PIVOT case, refer to the instructions in this guide or on pivotcase.com to avoid damaging your device or case.*

NOTE: *Your PIVOT case will hold your device firmly on all sides in order to protect it from accelerated impacts and other hazards. Once installed, your device is not intended to be easily removed.*



Air Cushion



Lightweight



Thermal Control



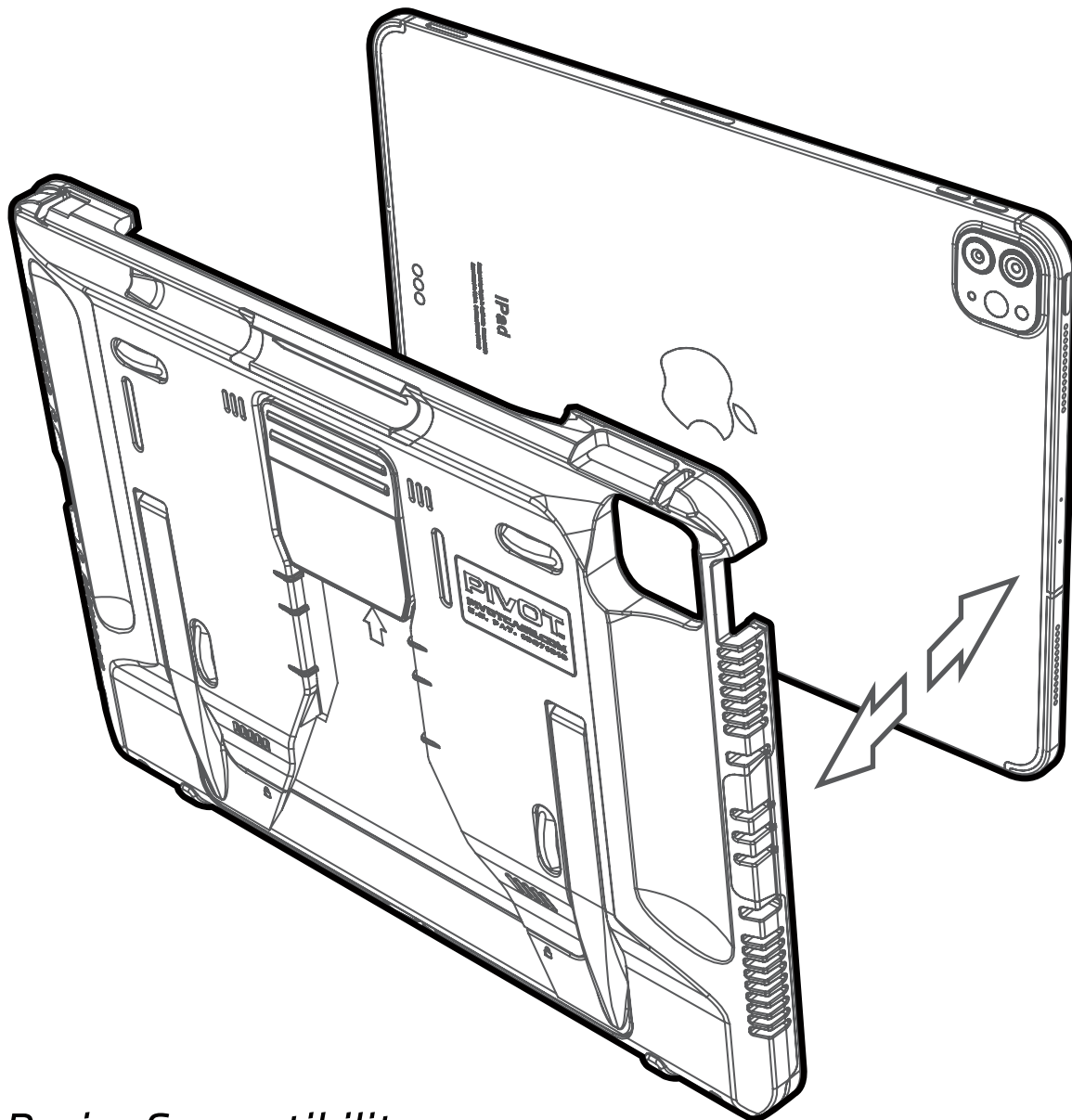
Tough Protection



Easy Setup



Stylus Support



Device Compatibility

The PIVOT A20A is compatible with multiple generations of iPad. Before attempting to install your iPad, refer to the information below to confirm compatibility. The PIVOT A20A supports the following devices:

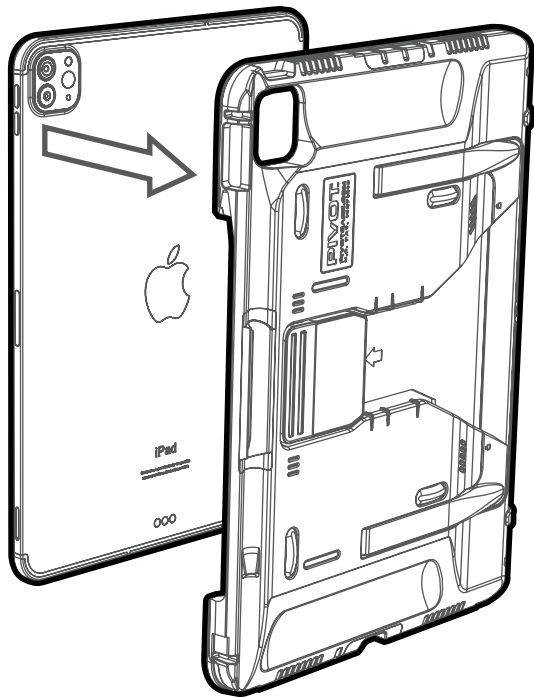
Supported Devices:

- iPad Pro 11-inch (3rd gen.)
- iPad Pro 11-inch (2nd gen.)
- iPad Pro 11-inch (1st gen.)
- iPad Air (4th gen.)



Did You Know?

Not all A20A compatible devices share the same features or locations of buttons, speakers and cameras. For this reason, the access openings in the A20A case are designed to accommodate the features of all compatible device types.



Installing Device

Align the device camera and buttons with the corresponding access points in the case body and press the corners of the device into the case beginning with the camera and button area. The device will snap securely into the case's perimeter seal.



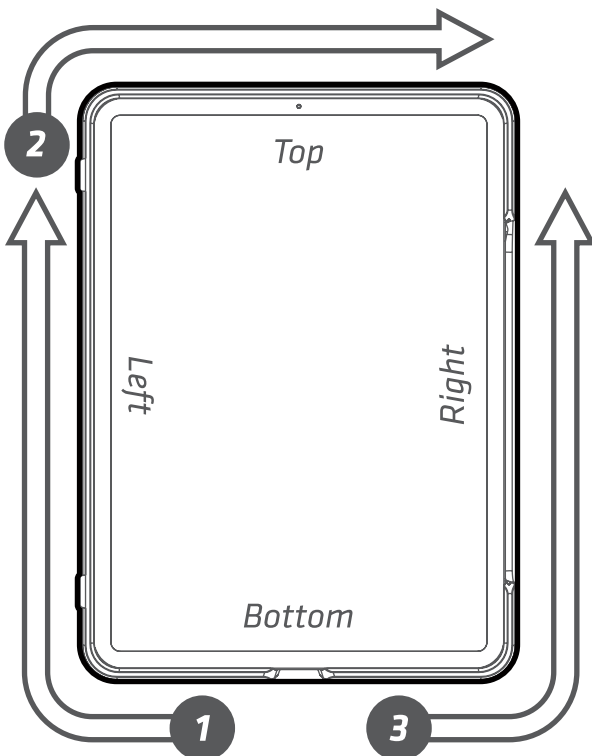
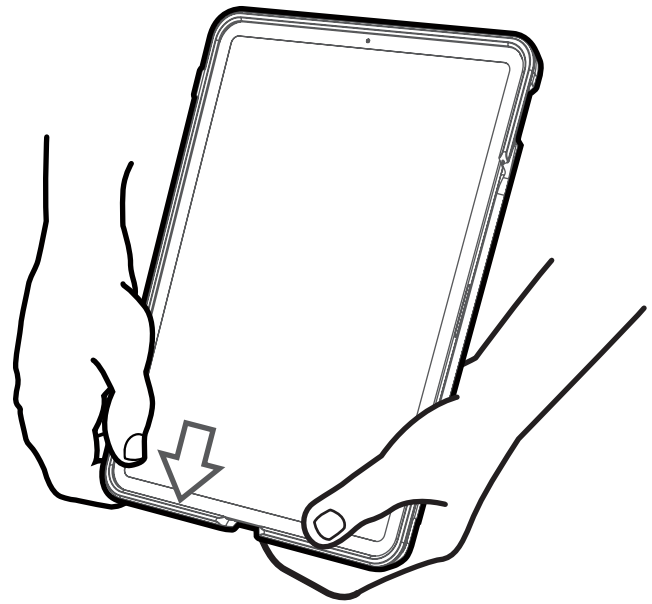
Pro Tip!

If the case does not snap easily onto the device, double check the alignment of the camera and buttons.



WARNING!

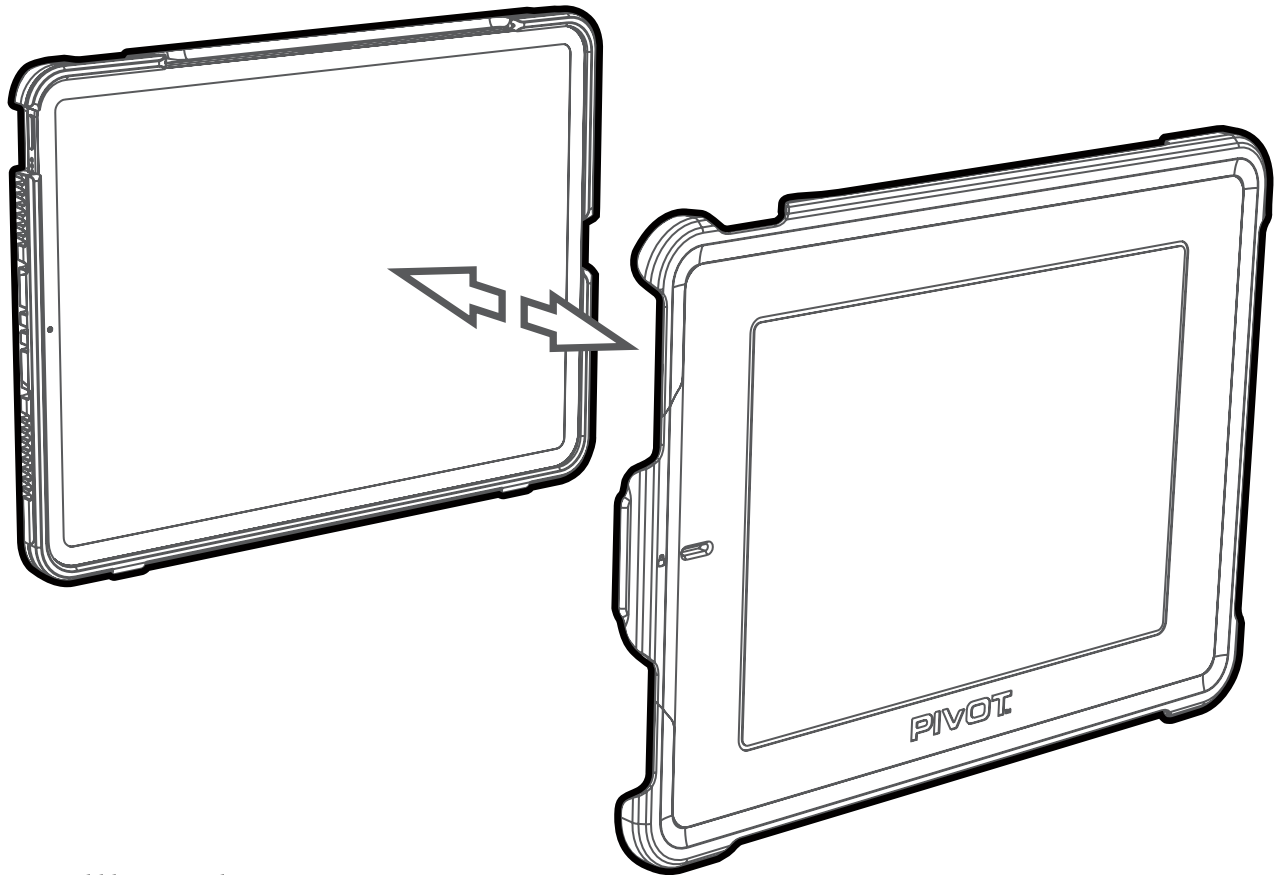
Do not use excessive force or tools of any kind during install or removal of device. Doing so may cause damage or personal injury.



Removing Device

Beginning with the bottom edge near the charging port, press firmly using your thumbs to disengage the case seal. Continue carefully pressing around the edges of the case to release the device in the order shown. Do not attempt to pry or force the device from the case.

1. Start at the bottom and move left.
2. Continue around the top edge.
3. Release the right edge to remove device.



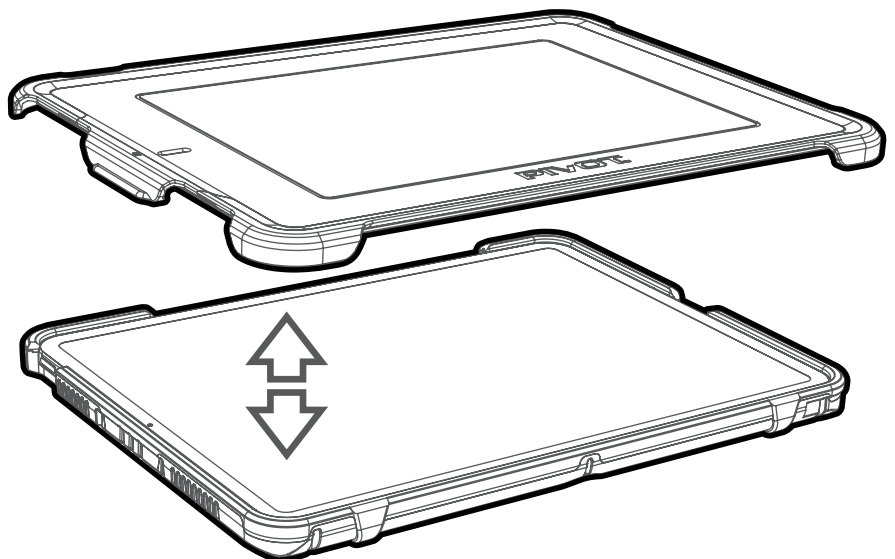
Installing The Screen Cover

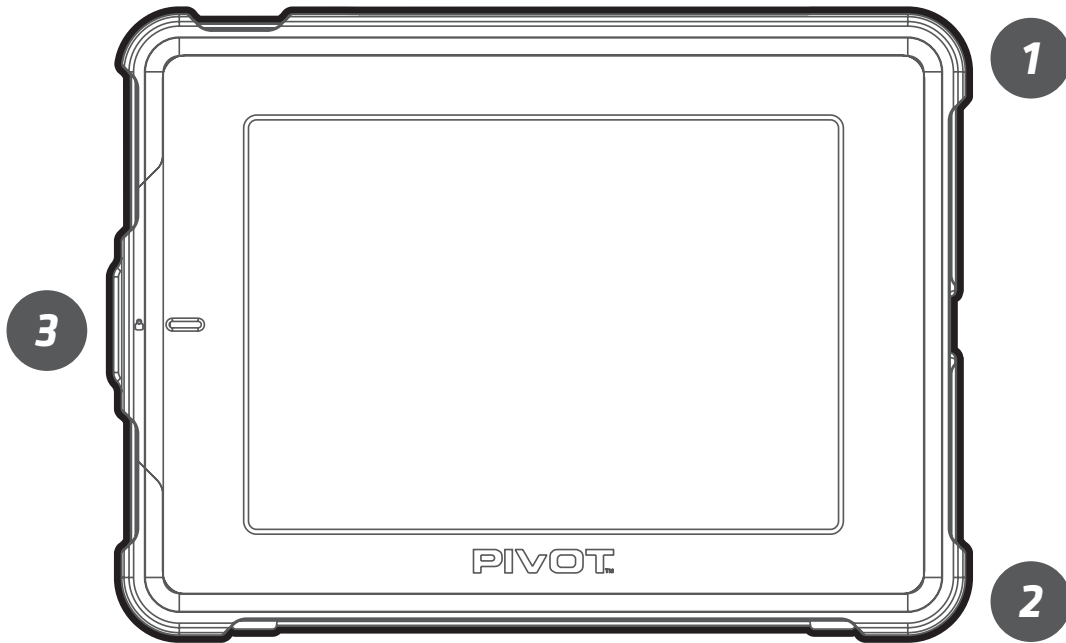
To install the PIVOT Screen Cover, position the case and cover in landscape orientation, with the volume and power buttons of the device in the upper left corner, as illustrated above with the device screen facing you. Align the corners of the PIVOT case and Screen Cover and press to fit.



Pro Tip!

Place the PIVOT case on a flat and level surface when aligning and installing the Screen Cover until you are comfortable and familiar with the installation process.





Installing The Screen Cover

Once the PIVOT Screen Cover and case body are properly aligned, with the corresponding access points in the case body and cover aligned with the buttons of the device, press the corners of the Screen Cover down onto the case body. The Screen Cover engages with the case body to hold firmly in place by gripping the three locations illustrated above, as follows:

1. Upper-Right Corner
2. Lower-Right Corner
3. Left-Center Locking Tab

Note: You may secure the engagement points in any order.

Removing The Screen Cover

Release the Left-Center Locking Tab to quickly and easily remove the Screen Cover with one hand.



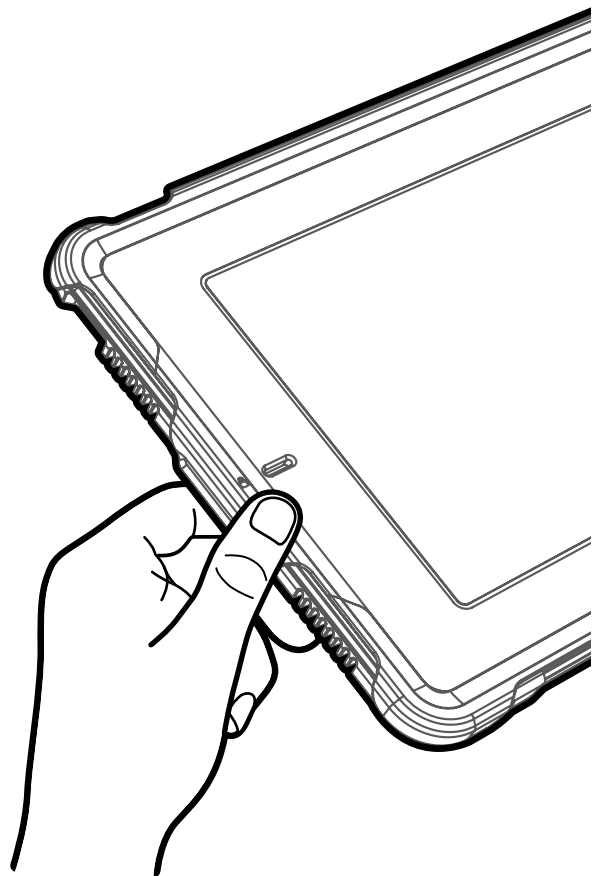
Pro Tip!

Store your Screen Cover in a safe and memorable location when not in use to avoid damage or loss.



Did You Know?

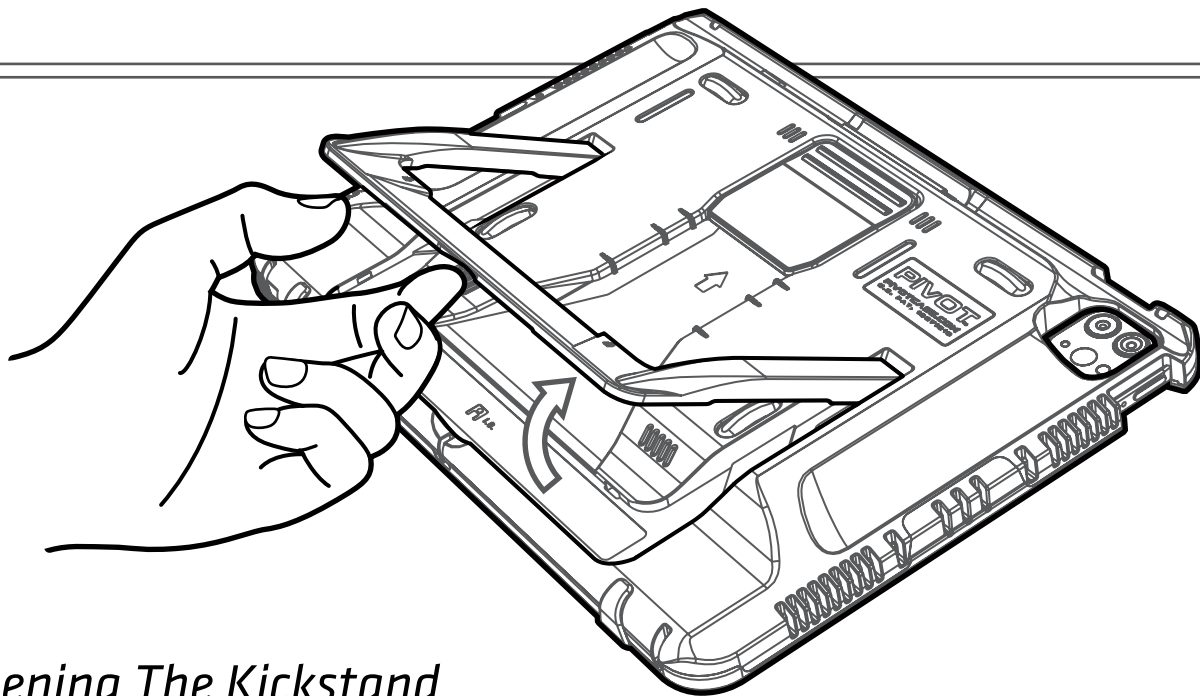
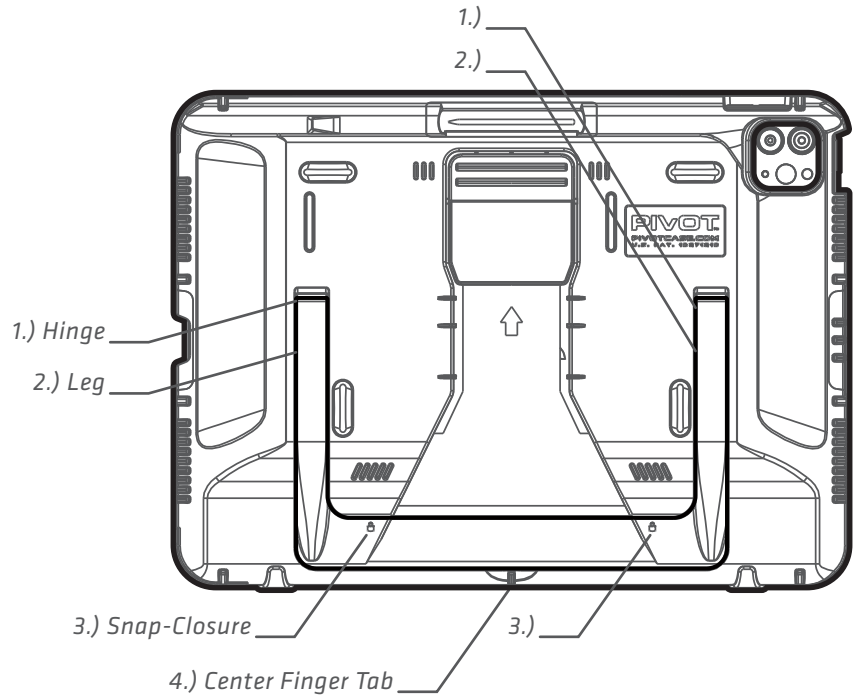
The Screen Cover activates the auto-wake/sleep sensors of the device. A small window slot near the locking tab allows you to confirm the device screen is on or off when using this feature.



Kickstand Key Features

The PIVOT Kickstand is built into the back of the case body. Please take time to identify and become familiar with the key features of the PIVOT Kickstand before use:

- 1.) Hinge(x2)
- 2.) Leg (x2)
- 3.) Snap-Closure (x2)
- 4.) Center Finger Tab



Opening The Kickstand

Locate the Center Finger Tab and lift gently. Apply constant force while lifting to disengage the two Snap-Closures, which are located to the left and right of the Center Finger Tab. An audible “Click” may be heard as the closures release.

! Pro Tip!

Once open, adjust the angle of the PIVOT Kickstand evenly on both sides to prevent unnecessary wear. Do not bend or adjust the left and right sides independently.

Adjusting Viewing Angle

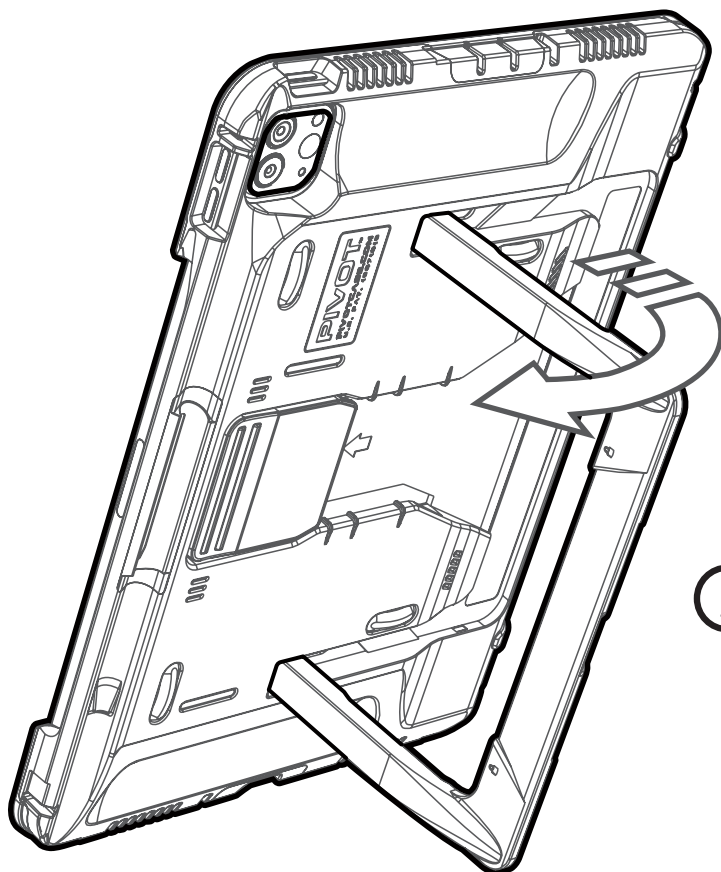
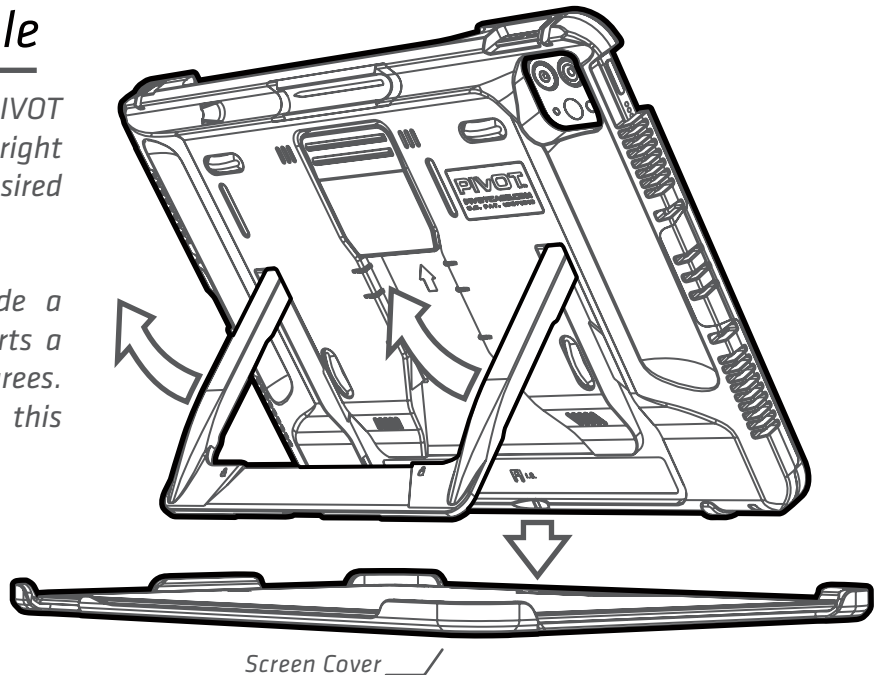
Adjust the viewing angle of the PIVOT Kickstand by rotating the left and right Legs of the kickstand evenly to the desired position.

The PIVOT Kickstand Hinges provide a preset resistance force, which supports a range of viewing angles up to 120-degrees. Do not force the kickstand beyond this point to avoid damage.



Did You Know?

The Screen Cover serves as a flat, non-slip surface for the case when in viewing mode.



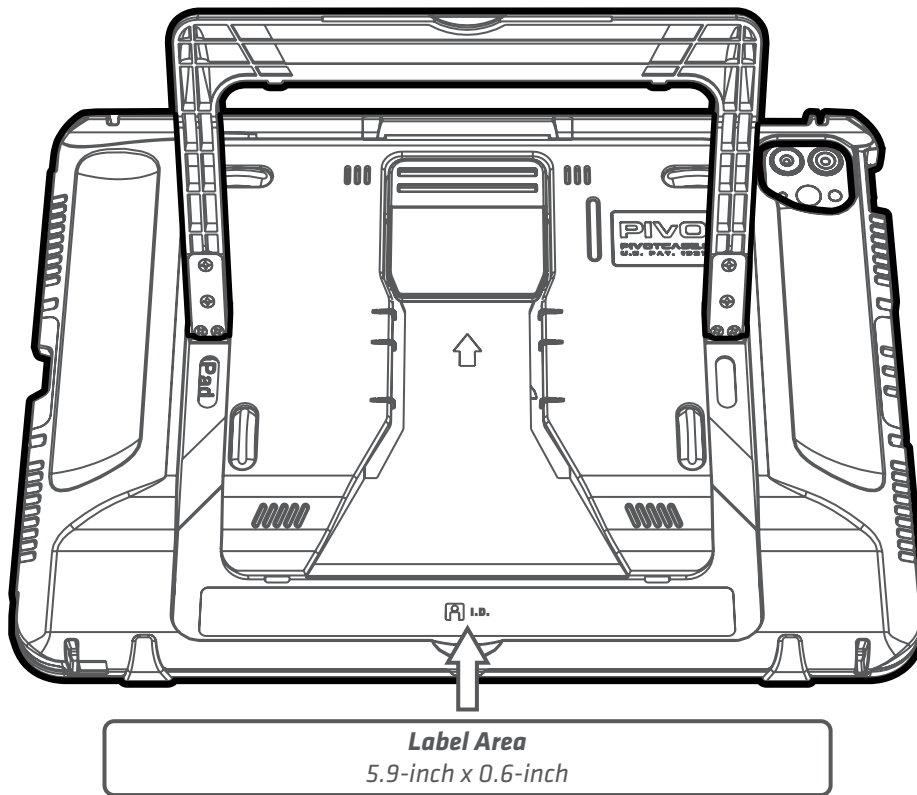
Portrait Viewing Mode

To use your device in portrait orientation, simply open and rotate the kickstand approximately 90-degrees until both legs of the kickstand are even and perpendicular to the case body, and place on a flat, stable surface. Only one viewing angle is available in portrait mode.



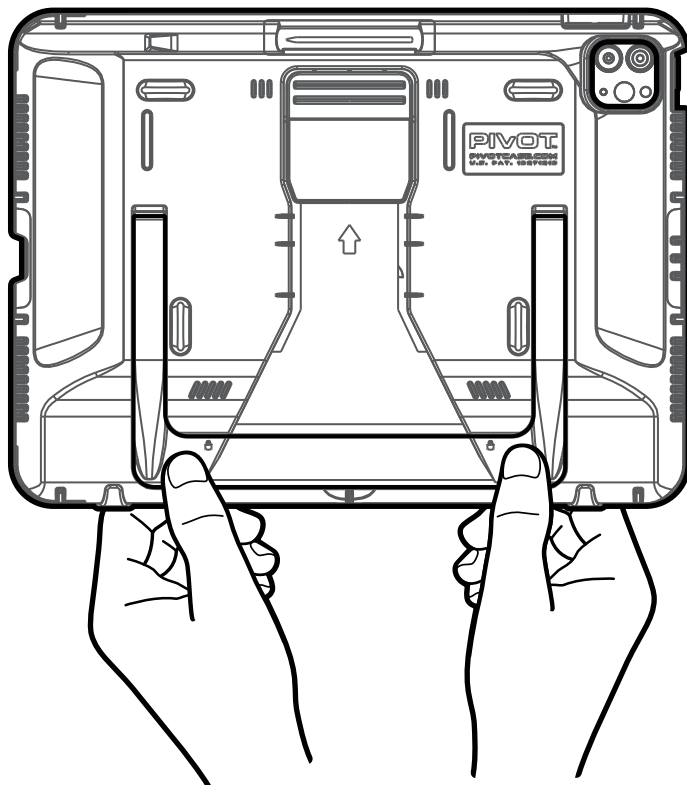
Pro Tip!

Use the Screen Cover when in portrait viewing mode to improve stability. The non-slip interior surface of the Screen Cover is designed to provide additional grip in both portrait and landscape viewing modes.



I.D. Label Area

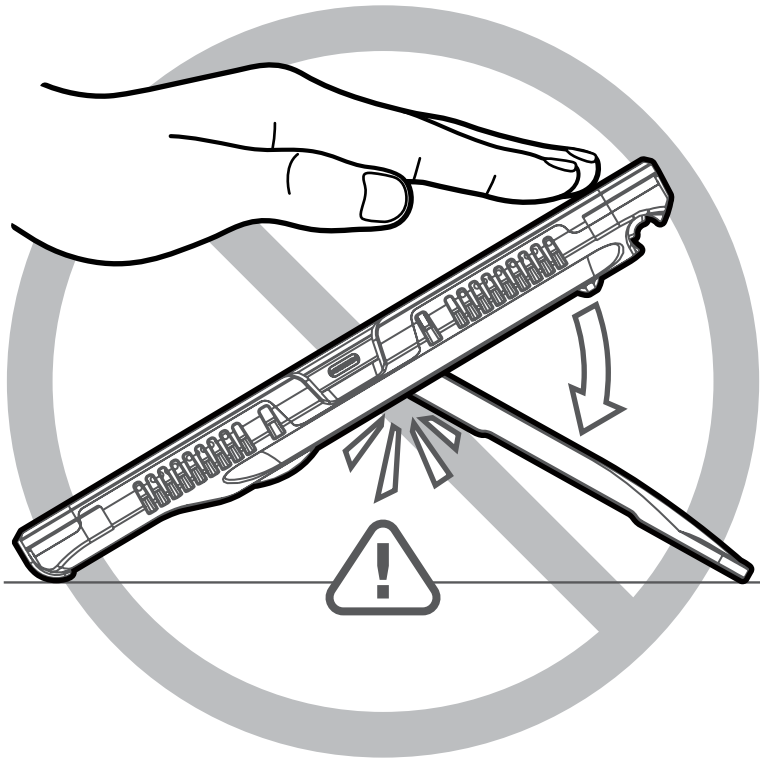
The I.D. Label Area is located on the case back behind the Kickstand.
Recommended Label Template: Avery 5167.



Closing Kickstand

To close the PIVOT Kickstand, rotate it from any open angle until it is nearly in the closed position, or at a 0-degree angle, parallel to the case body.

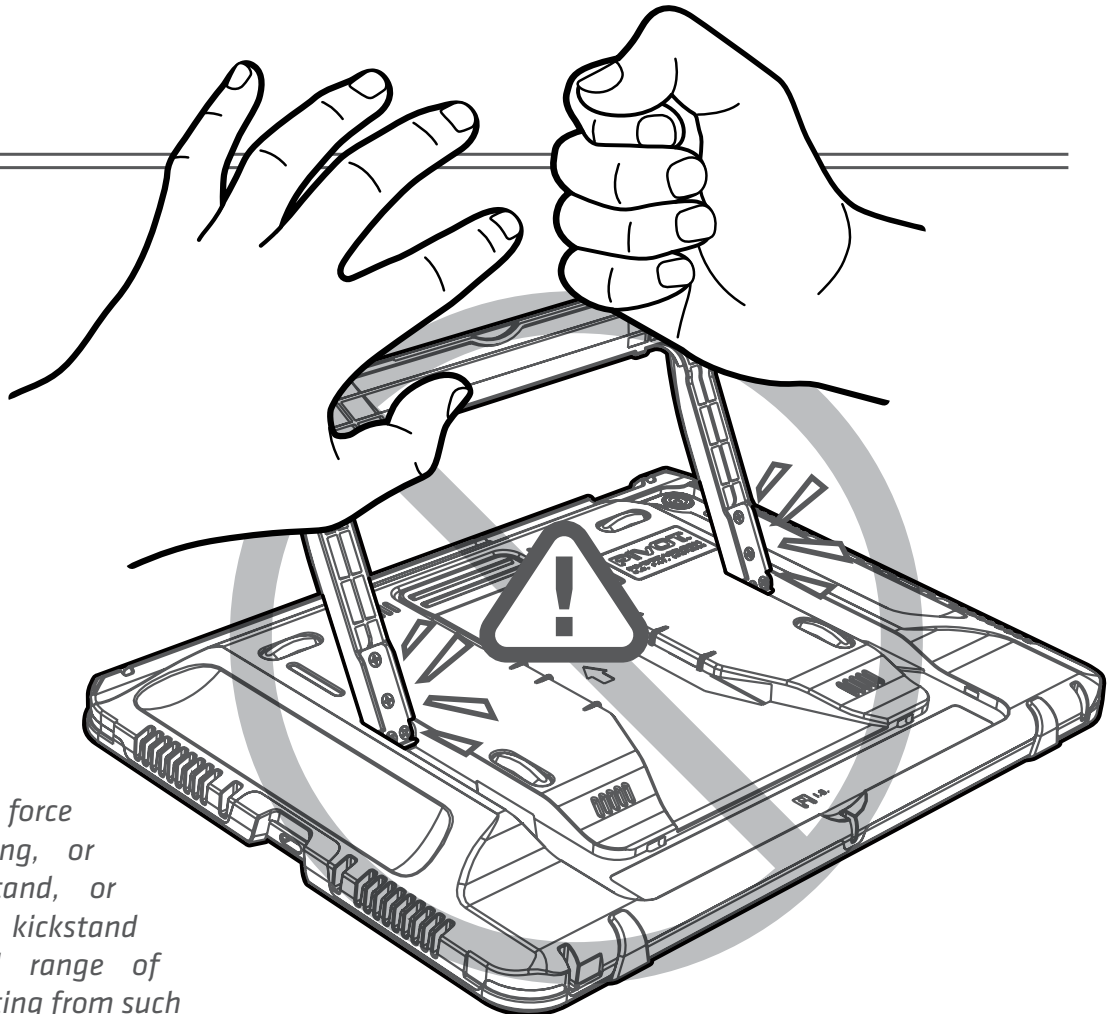
Press or squeeze the Snap-Closures on both the left and right side of the kickstand. The closures are identified by the padlock icons. You may hear an audible “click” when the closures engage with the case body.



Incorrect Use

The PIVOT Kickstand is durable if used as intended. However, it can be damaged if misused and put under repeated stress.

Do not attempt to force the PIVOT Kickstand beyond the maximum 120-degrees of rotation or adjust the Legs independently. Doing so may result in damage to the Kickstand, hinges, and case body.



WARNING!

Do not use excessive force when opening, closing, or adjusting the kickstand, or attempt to force the kickstand beyond its intended range of motion. Damage resulting from such misuse is not covered under warranty.

Stylus Support



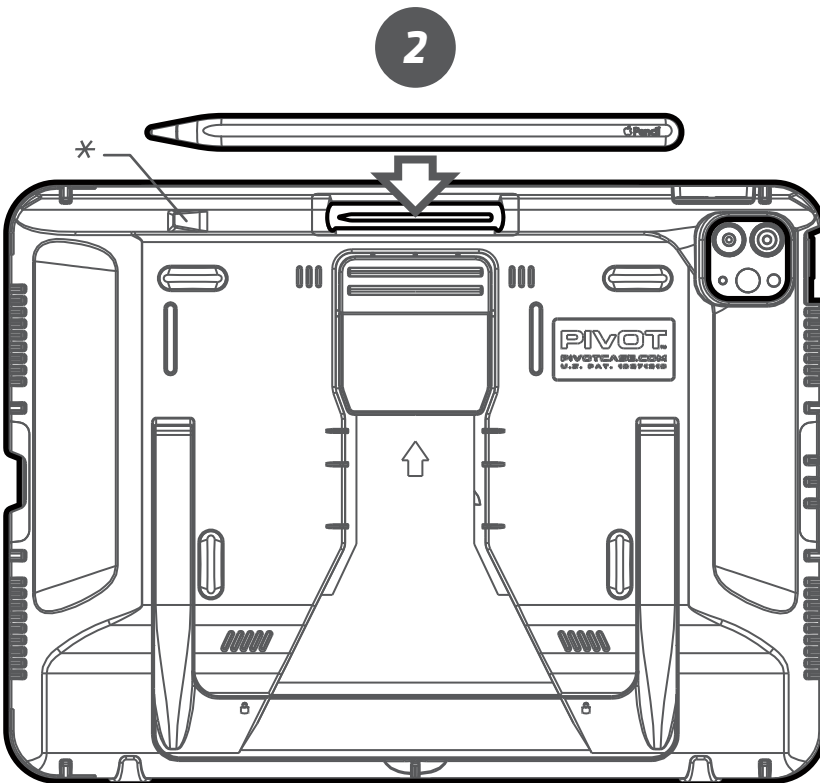
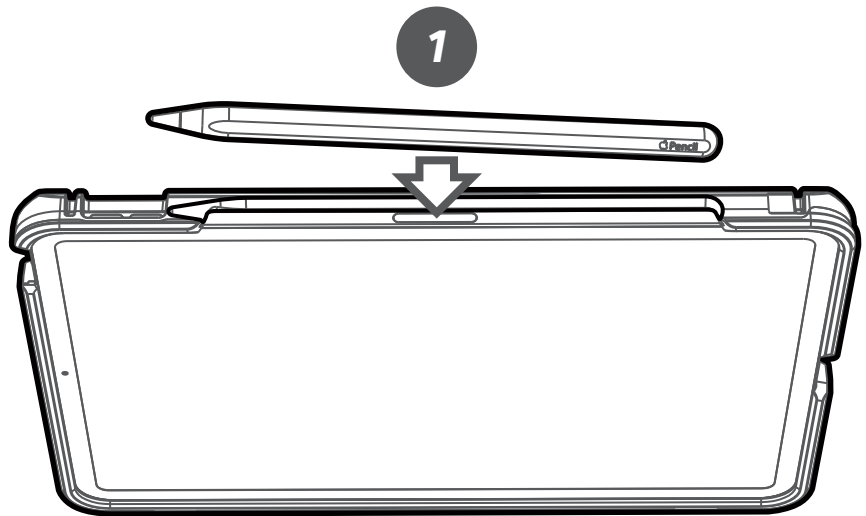
This case supports all Apple Pencil (2nd gen.) features and can hold other styluses of similar sizes. The following features connect and protect the Apple Pencil when not in use:

- 1.) PIVOT Pencil Edge
- 2.) PIVOT Pencil Grip

Pencil Edge

The PIVOT Pencil Edge supports wireless pairing and charging by magnetically connecting the Apple Pencil as illustrated.

Note: The Apple Pencil must be correctly connected in the orientation illustrated here for proper pairing and charging function and compatibility with the Screen Cover.



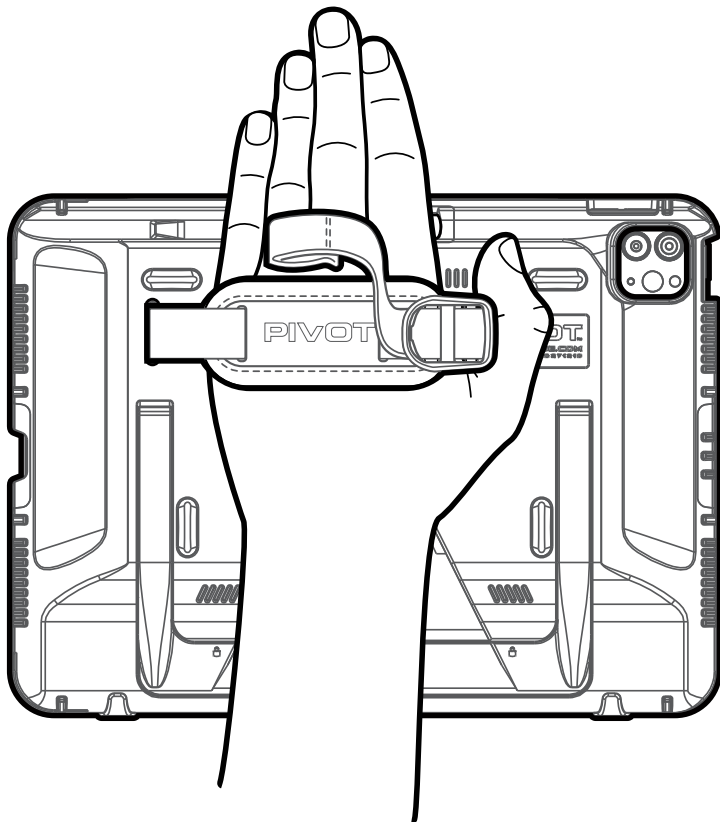
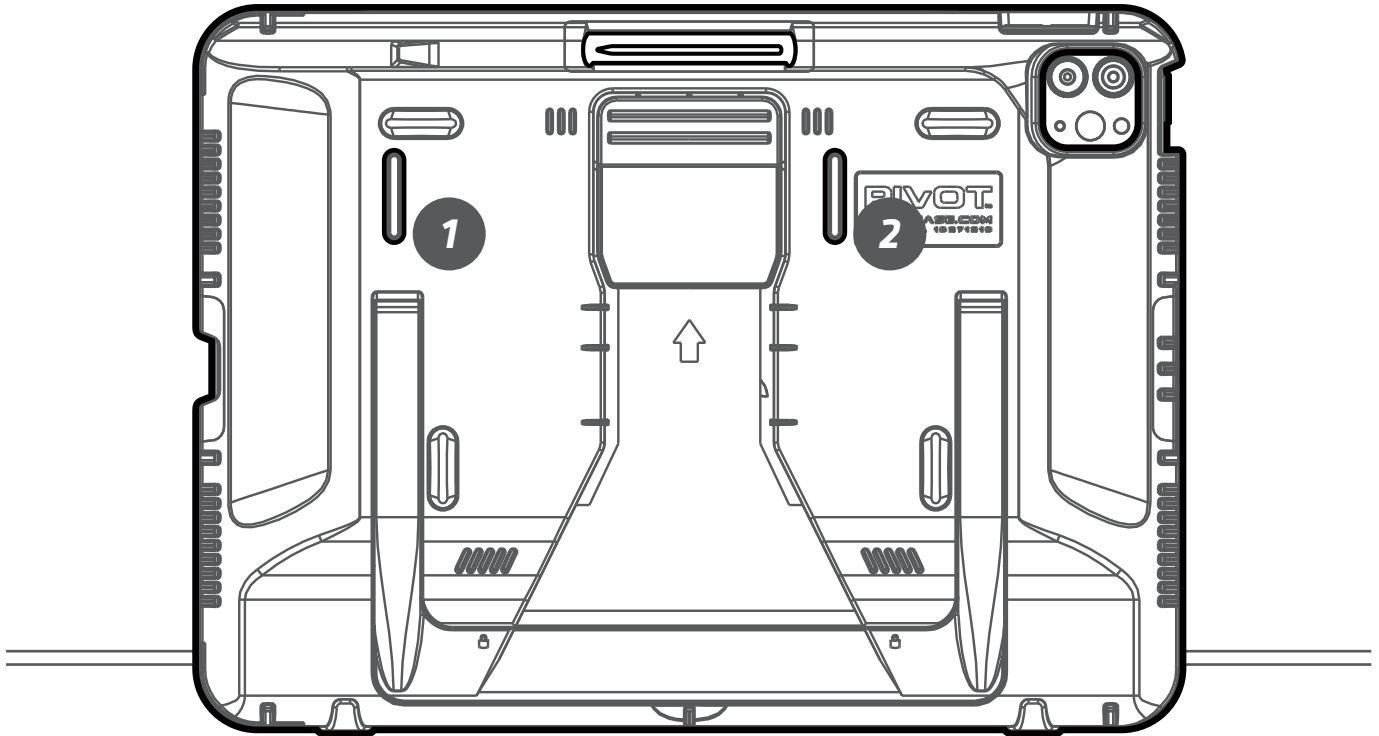
Pencil Grip

The Apple Pencil and similarly sized styluses snap firmly into the PIVOT Pencil Grip for secure storage when correctly installed in the orientation illustrated.

The Pencil Tip Cradle* helps prevent accidental release of the Apple Pencil.

Accessory Slots

This PIVOT case is compatible with select PIVOT accessories, such as the PIVOT Hand Strap. The Accessory Slots are located to the left and right of the clip with removable rubber inserts. Refer to the accessory product instructions for information on installation and removal of accessories.



Accessory Products

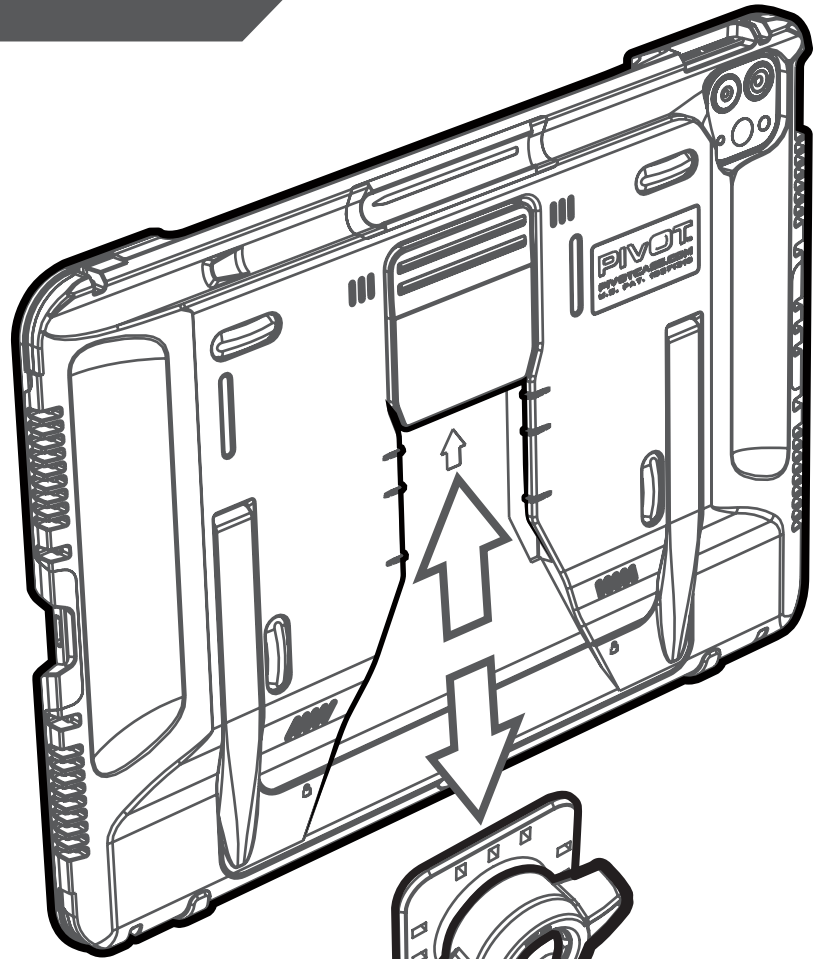
Accessories are available for select cases featuring PIVOT Accessory Slots.

The PIVOT Hand Strap (sold separately) is illustrated here.



Did You Know?

PIVOT's unique mounting systems are universal and interchangeable, ensuring your PIVOT case will securely connect to every standard PIVOT mount: past, present, and future.

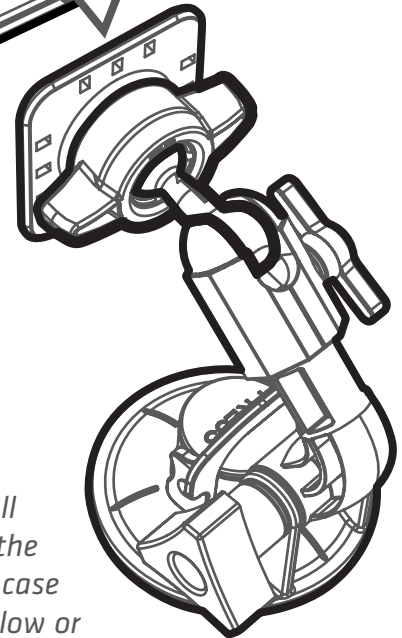


Universal Mounts



Your PIVOT case is compatible with a variety of patented PIVOT Mounting Systems. Before connecting your PIVOT case to the mount, secure the mount in its desired location and adjust it to the desired orientation and tension. Position the mounting plate to be parallel to the case during installation, then connect the case to the mount following the steps below:

1. Position the PIVOT case above the mounting plate and ensure all corners of the mounting plate are below the widest opening of the mounting channel on the case body. If it is not possible to mount the case from above the mounting plate, rotate the case and install from below or the side.
2. Slide the case mounting channel on to the mounting plate. The mounting plate will be guided into the case mounting channel until the clip engages the mounting plate, completing the connection with an audible "CLICK."
3. Depress the PIVOT Clip and reverse the process above to disconnect the case from the mount.



WARNING! The mounting plate should slide smoothly into the case mounting channel with very little resistance. If you encounter resistance, the mounting plate may be misaligned. Do not force the case on to the mount or damage may occur. Gently remove the case from the mounting plate, confirm correct alignment, and reattempt installation.

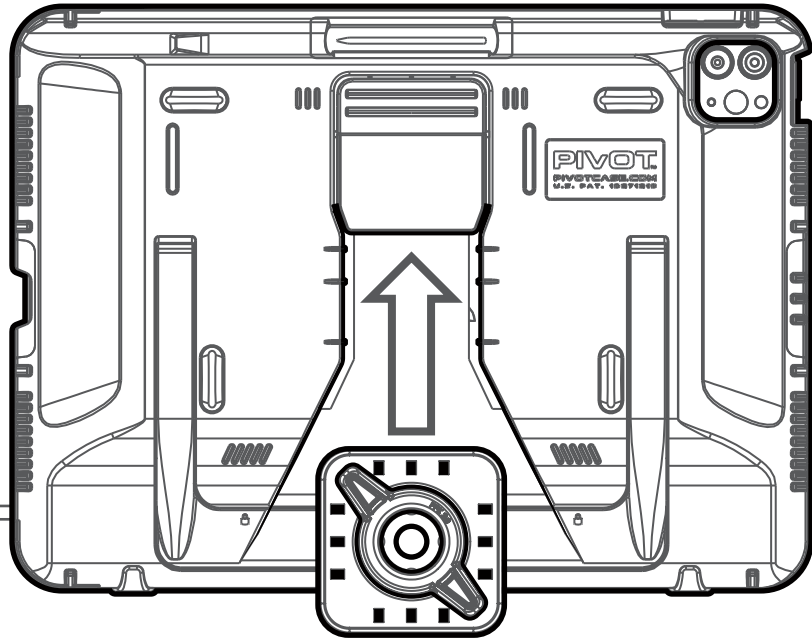
Click! Connection



PIVOT's audible "Click!" engagement indicates the case is properly and securely connected to the mount. If there is no "Click!" during installation, the case may be misaligned, and you should reattempt installation.

! Pro Tip!

It is not necessary to depress the clip during install. If the clip is depressed and held in the release position, there will not be an audible "Click!" to confirm proper installation.

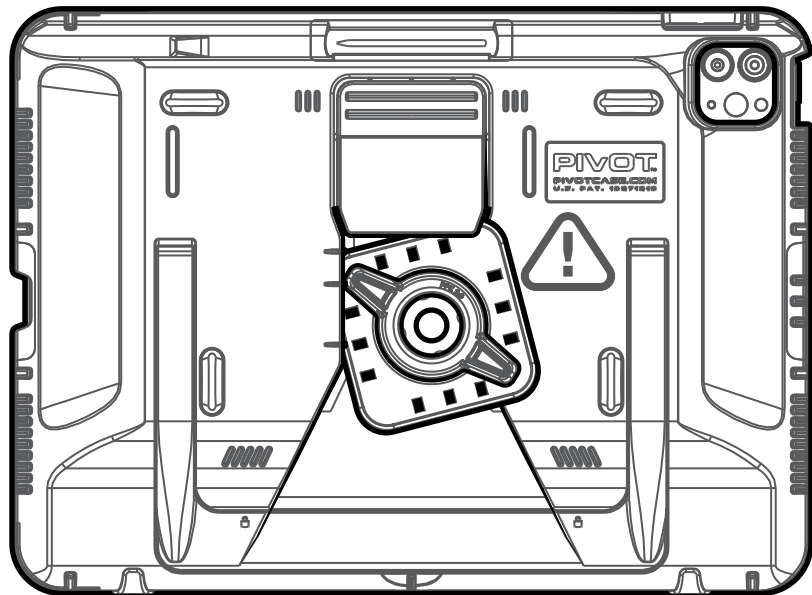


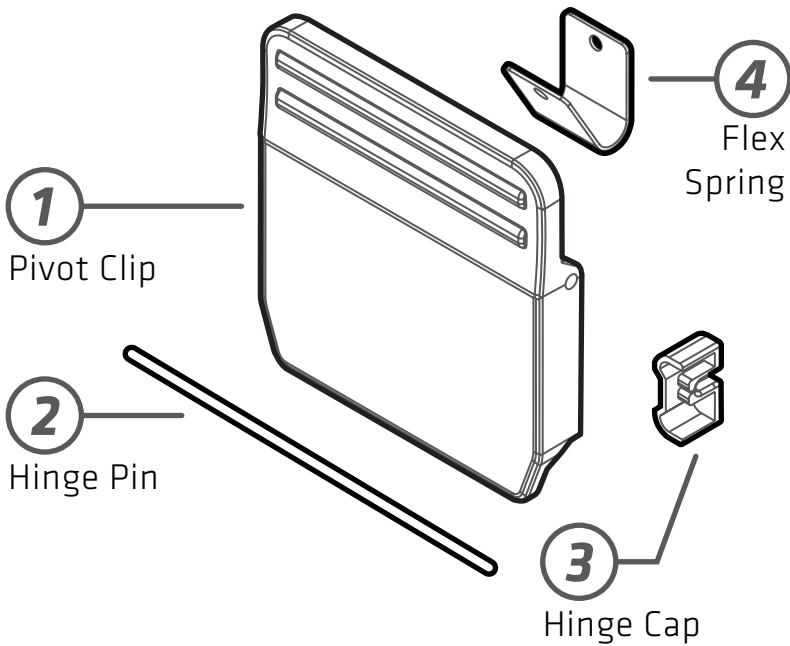
Incorrect Mount Alignment

Shown below is an example of an incorrect alignment of the mounting plate and PIVOT case. The clip is not properly engaged with the mounting plate and is not holding the case in the locked position. The mounting plate is not fully inserted into the mounting channel and will not support the weight of the case and device.

! Pro Tip!

If you feel resistance on the mounting plate as it enters the mounting channel, you may be engaging the "speed bumps" along the outer edges. They are designed to provide tactile feedback, which indicates misalignment.



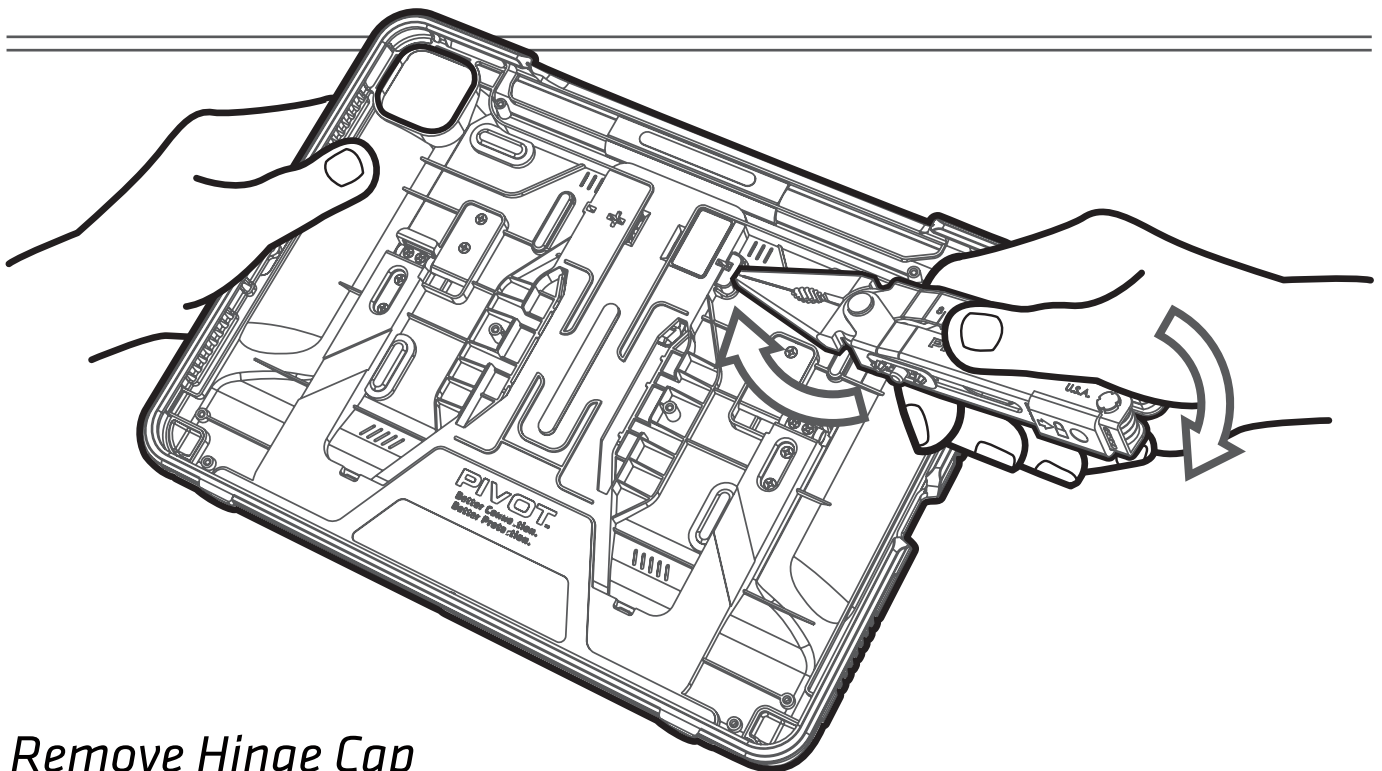


Getting Started

Before beginning any clip replacement procedure, please ensure you have a compatible Pivot Clip Kit. This PIVOT case uses the PCK-2 Assembly, Gen 2.0. It is not compatible with older versions of the PIVOT clip.

Required:

- 1 Unit PCK-2 Assembly, Gen 2.0
- 1pc Pivot Clip
- 1pc Hinge Pin
- 1pc Hinge Cap
- 1pc Flex Spring

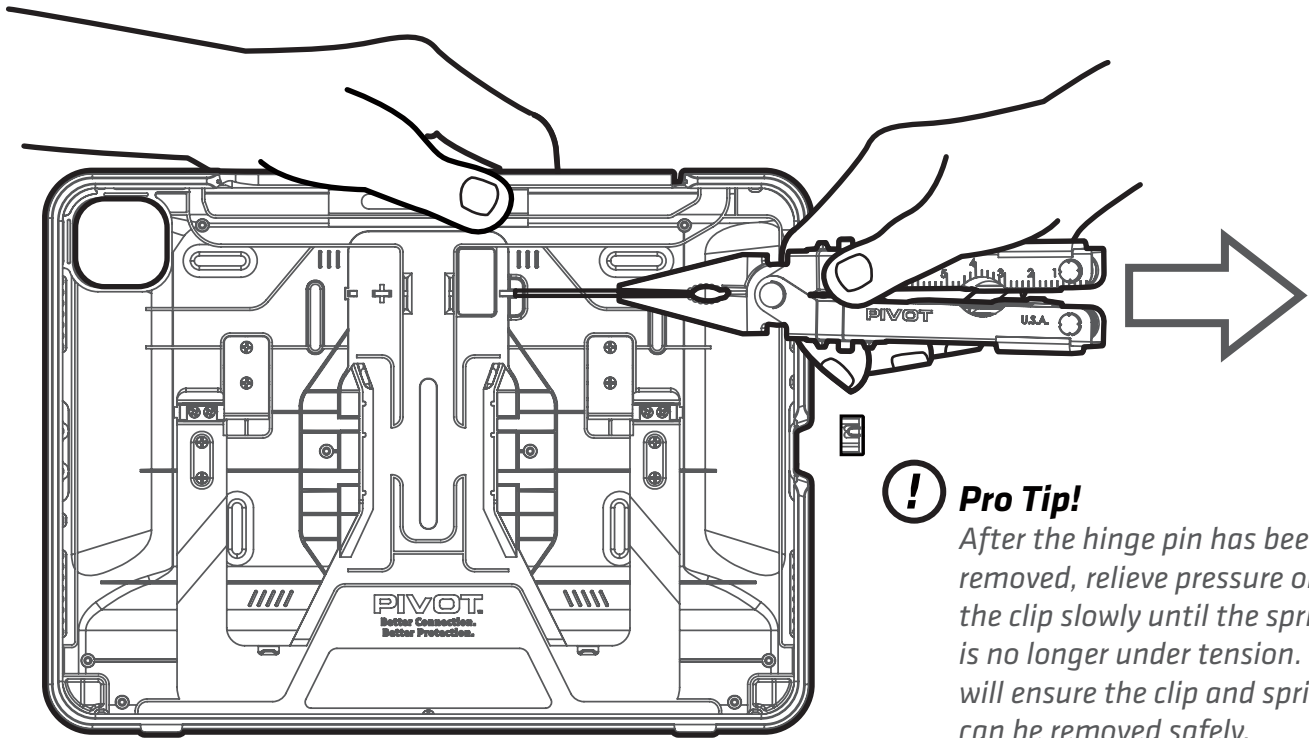


Remove Hinge Cap

- Remove device. Follow instructions on pivotcase.com for your case and device type.
- Remove the hinge cap using the blunt tip of needle-nose pliers and mild leverage to pry the small cap off. There is a short flange on the edge of the cap for this purpose.

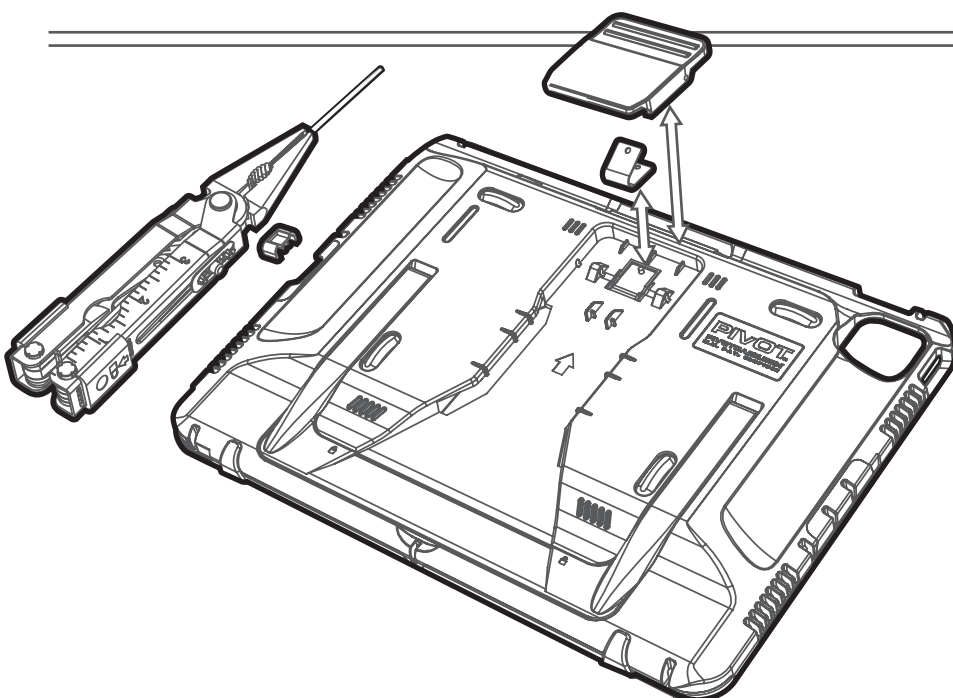
Removing Hinge and Clip

- c) With one hand, hold the clip firmly against the case, apply even pressure to the clip.
- d) Using pliers with other hand, pull the hinge pin out. (Be careful, the clip is under spring tension.)
- e) Remove clip while holding the spring in place. Replace spring if necessary.



Pro Tip!

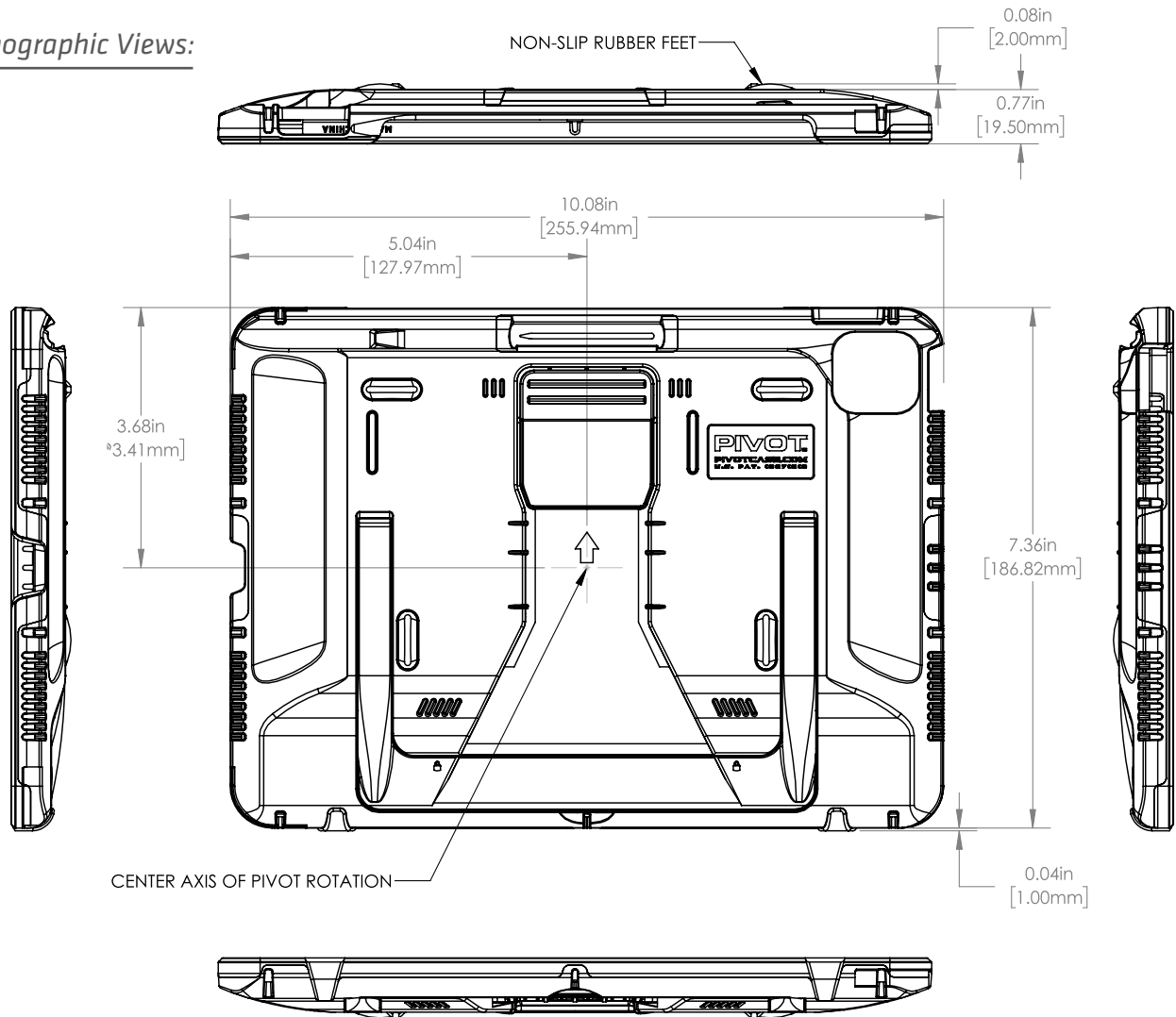
After the hinge pin has been removed, relieve pressure on the clip slowly until the spring is no longer under tension. This will ensure the clip and spring can be removed safely.



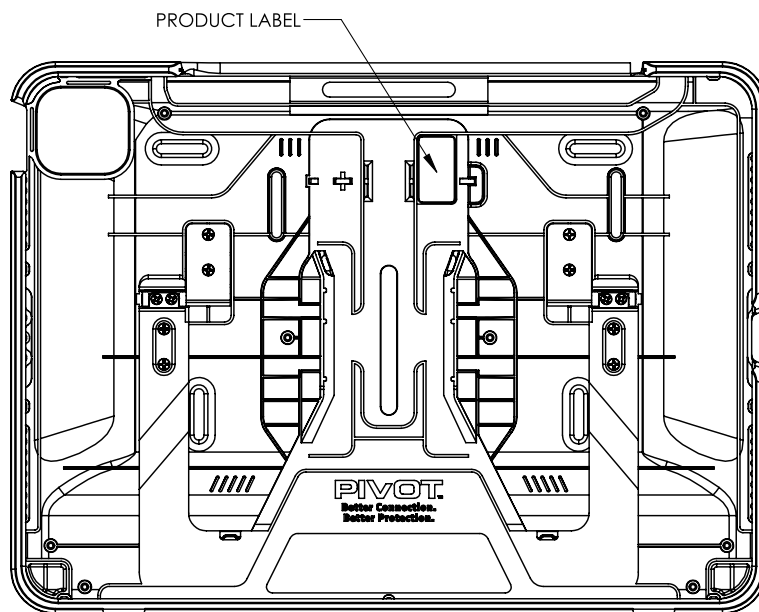
Installing New Clip

- f) Install new clip, hold it down firmly while applying even pressure.
- g) Reinstall hinge pin, ensure it is inserted all the way.
- h) Replace hinge pin cap... **DONE!**

Orthographic Views:



Interior View:



Thank you.

Additional Information

To learn more about your PIVOT case, please visit pivotcase.com for instructional videos, product support and additional information about PIVOT products. You'll find valuable online resources provided to enhance your user experience and see the complete line of PIVOT products.

Learn more at:

PIVOTCASE.COM

PIVOT SUPPORT

If you have questions please contact PIVOT Support.



www.pivotcase.com/support



sales@pivotcase.com



1-888-4-FLYBOYS (1-888-435-9269)



www.youtube.com/c/pivotcasevideo

TM and © 2021 FlyBoys. All rights reserved.
Designed in USA. Printed in USA.

PIVOT™

Better Connection. Better Protection.
*Making the **Case** for Aviation.*