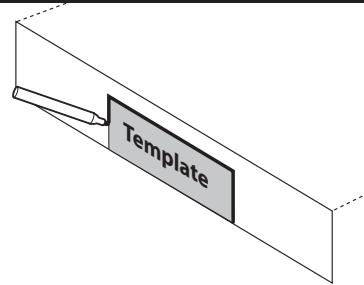


CanSweep Under Cabinet Installation

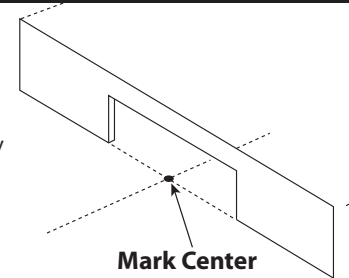
Step 1

Align the template (cut from this instruction sheet) onto the kick plate to the desired location, and trace/cut the area.



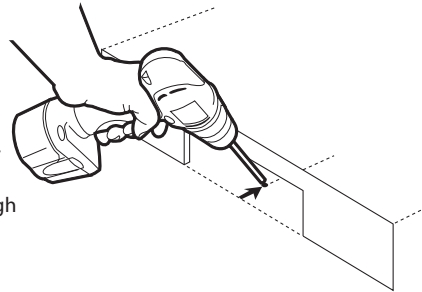
Step 2

Cut out the desired opening and discretely mark the center of the opening on the floor.



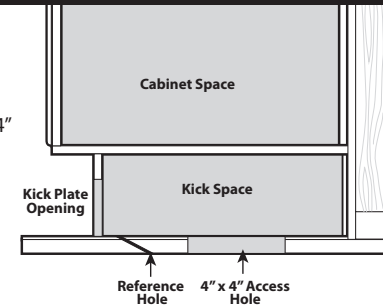
Step 3

Drill a small reference hole along the center line behind the kick plate through the subfloor.



Step 4

Locate the reference hole from beneath the subfloor. Cut a 4" x 4" access hole on your chosen position along the center line under the kick space.



Step 5

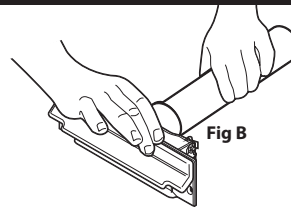
Fig A

Solvent weld a coupling to a piece of 2" central vacuum pipe, long enough to reach the 4" x 4" access hole from the opening on the kick plate (Fig A).



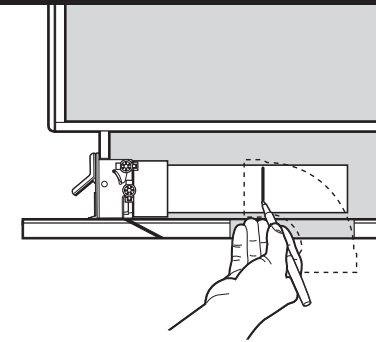
Fig B

Friction fit the other end of the coupling to the CanSweep until secure. Do not glue, friction fit only (Fig B).



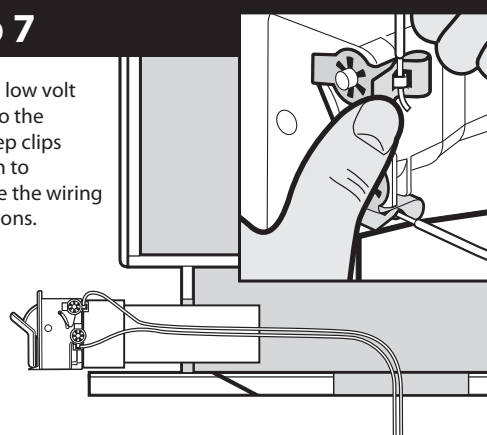
Step 6

Insert the CanSweep/pipe into the opening on the kick plate. Use a 90° sweep elbow fitting to determine a cut mark on the other end of the pipe. Then cut the pipe at the mark.



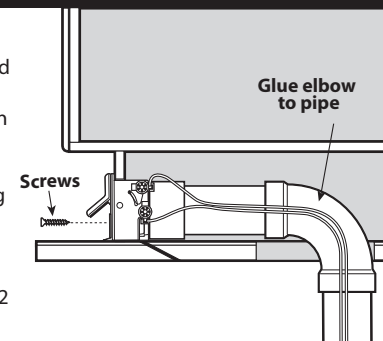
Step 7

Slide the low volt wires into the CanSweep clips as shown to complete the wiring connections.



Step 8

Slide the CanSweep/pipe and low voltage wires into the opening on the kick plate. Glue both ends of the elbow to the piping system, and then secure the CanSweep to the kick plate with the 2 supplied screws.



If by any chance the opening was cut too big, a trim plate is available to provide a perfect cover.

