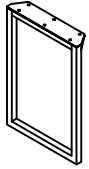


**COMPONENTS**

**A** Base Leg-2pcs



**HARDWARE & TOOLS**

**B** 60\*22\*3mm-2pcs



**C** Screw M6X15mm-13pcs



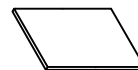
**D** Screw Ø4X16mm-2pcs



**E** Screw Ø4.2X16mm-2pcs



**F** Plastic mat -6pcs



Tools Required for Assembly



Philips Screw Driver for

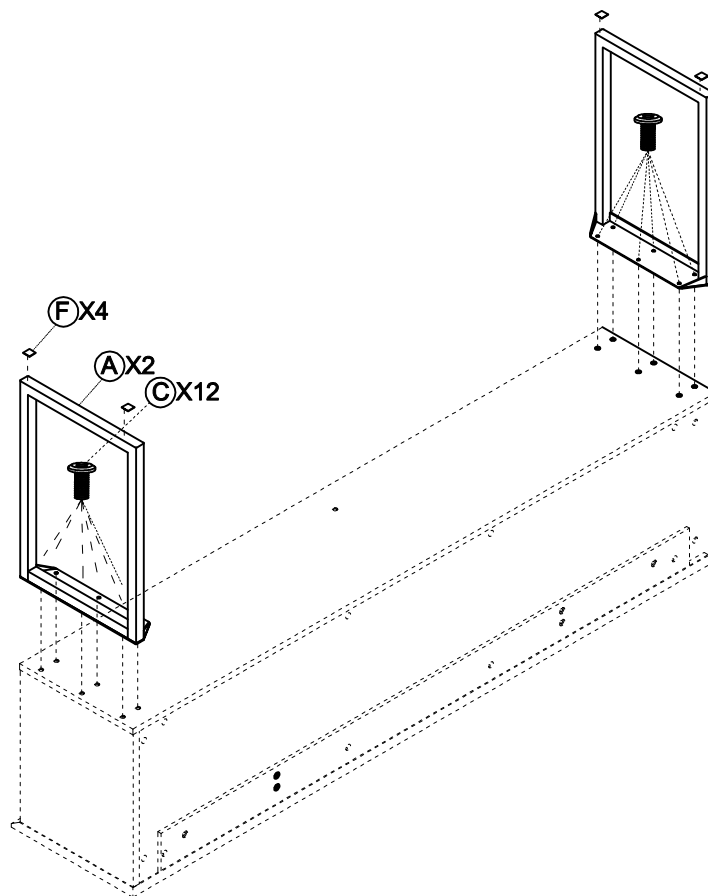
**C** Screw M6X15mm

**D** Screw Ø4X16mm

**E** Screw Ø4.2X16mm

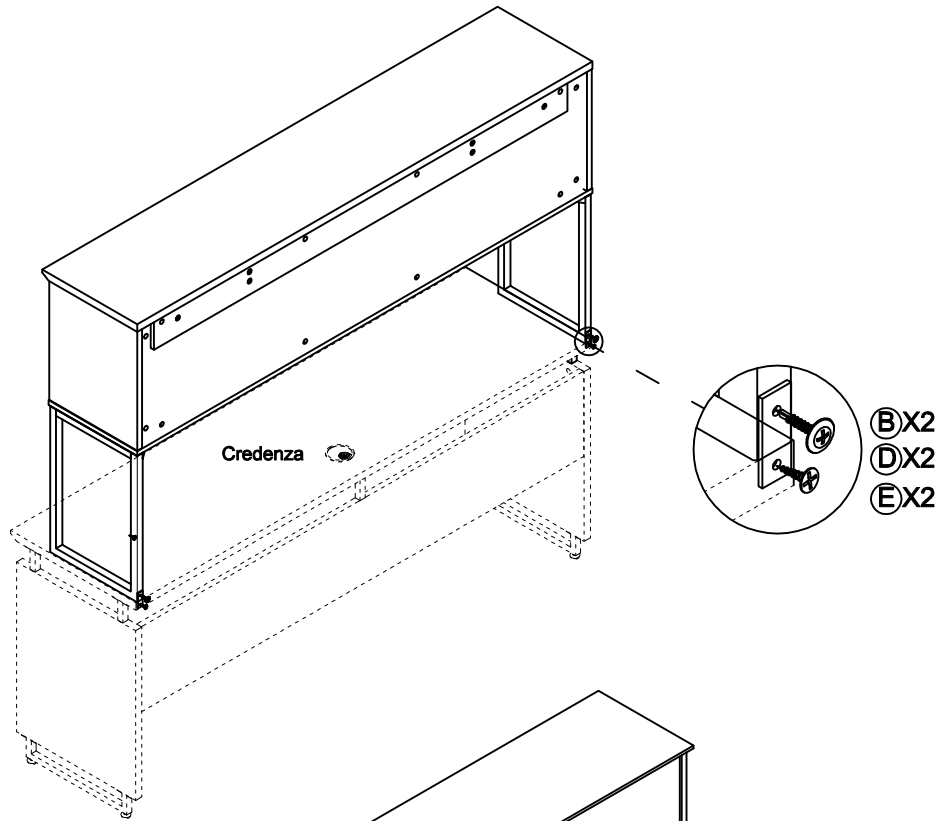
**INSTRUCTIONS - Do not use power tools to assemble**

**STEP 1**



INSTRUCTIONS

STEP 2



COMPLETED

