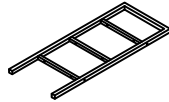
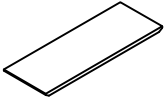


**COMPONENTS**

(A) Fixed Shelf-3pcs

(B) Metal Frame-2pcs

(C) X Bar-1pc



**HARDWARE & TOOLS**

(D) Screw M6X15mm-5pcs

(E) Screw M6X35mm-13pcs

(F) Screw Ø4X16mm-2pcs

(G) Screw Ø4.2X16mm-2pcs

Tools Required for Assembly



(H) Mntg Bracket 60\*22\*3mm-2pcs

(I) Plastic mat-4pcs

(J) Leveler-4pcs

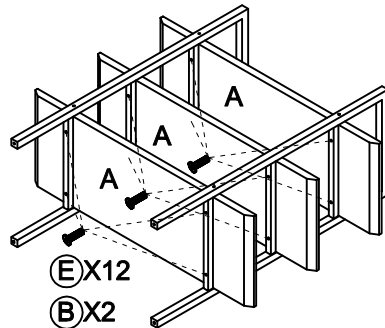
Philips Screw Driver for

(E) Screw M6X15mm

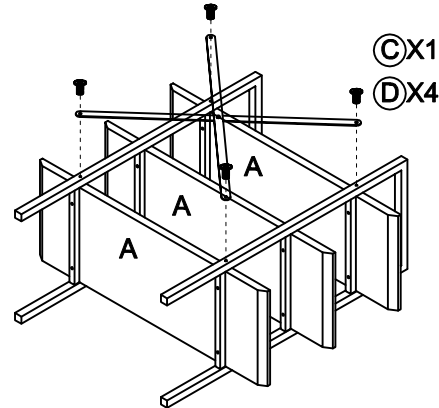
(F) Screw M6X35mm

**INSTRUCTIONS - Do not use power tools to assemble**

**STEP 1**

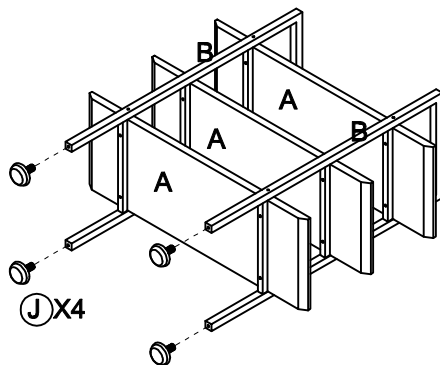


**STEP 2**



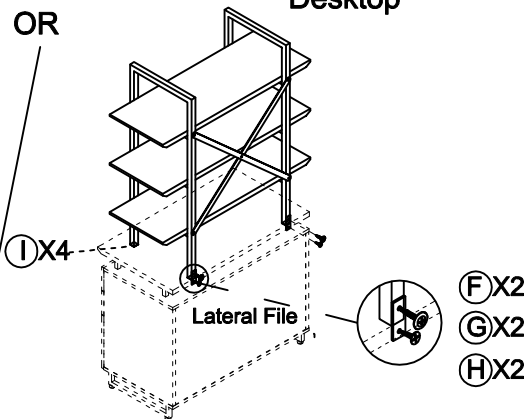
**STEP 3**

**Floor Standing**



OR

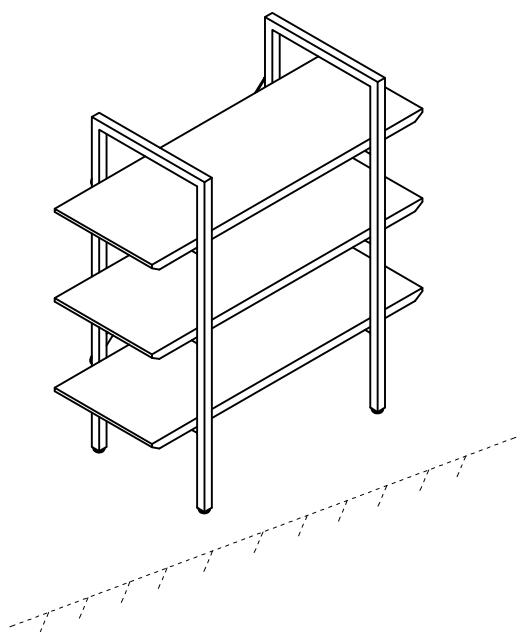
**Desktop**



**INSTRUCTIONS**

**COMPLETED**

**Floor Standing**



OR

**Desktop**

