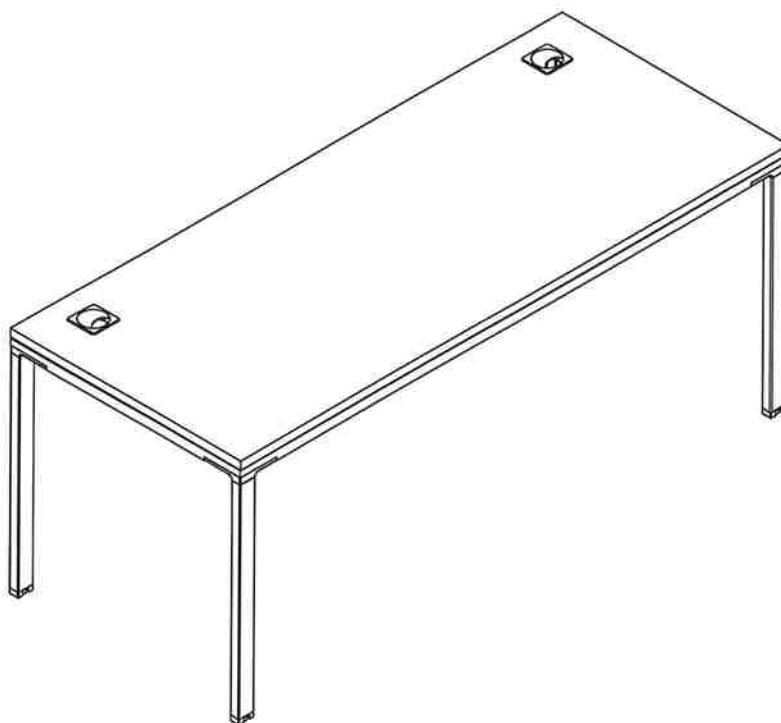
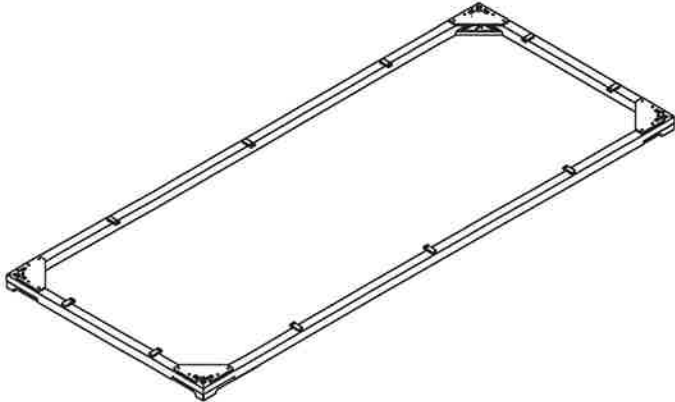


## 71" AND 59" DESK Assembly Instructions

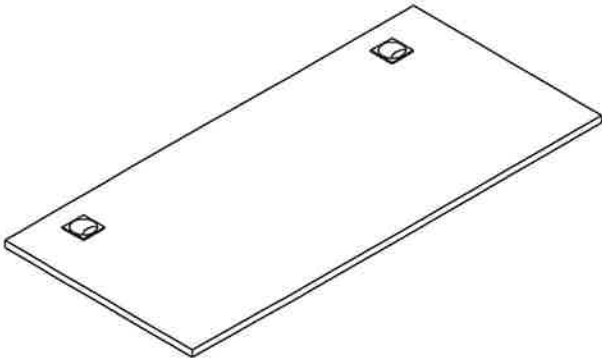
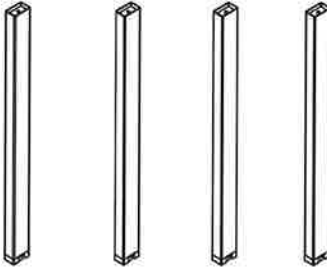


# PART LIST






**Frame(1x)**

**Legs(4x)**

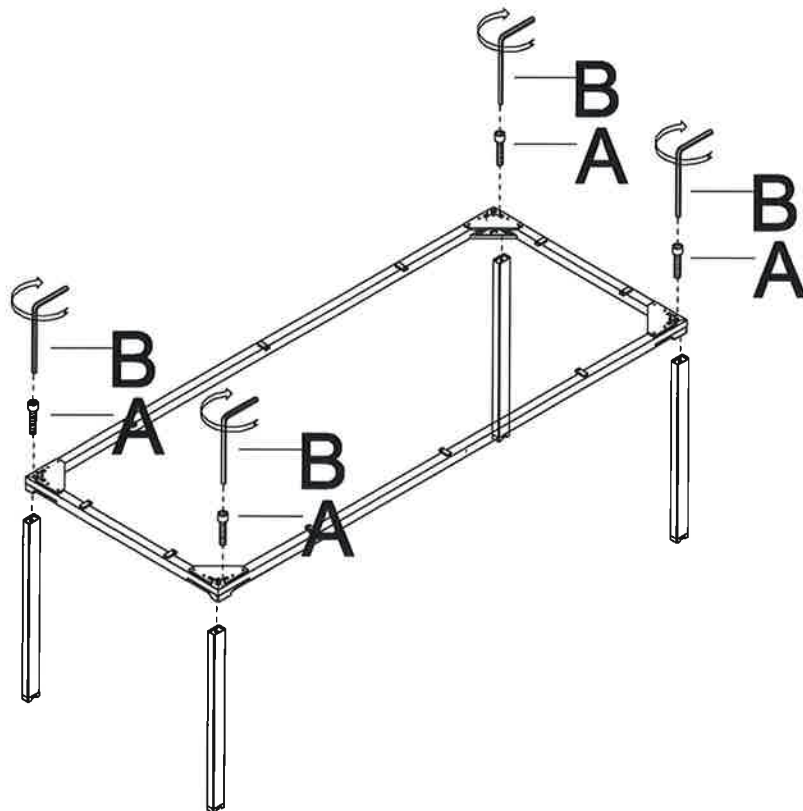


**Desk top With 2 grommets(1x)**

Assembly **HARDWARE**

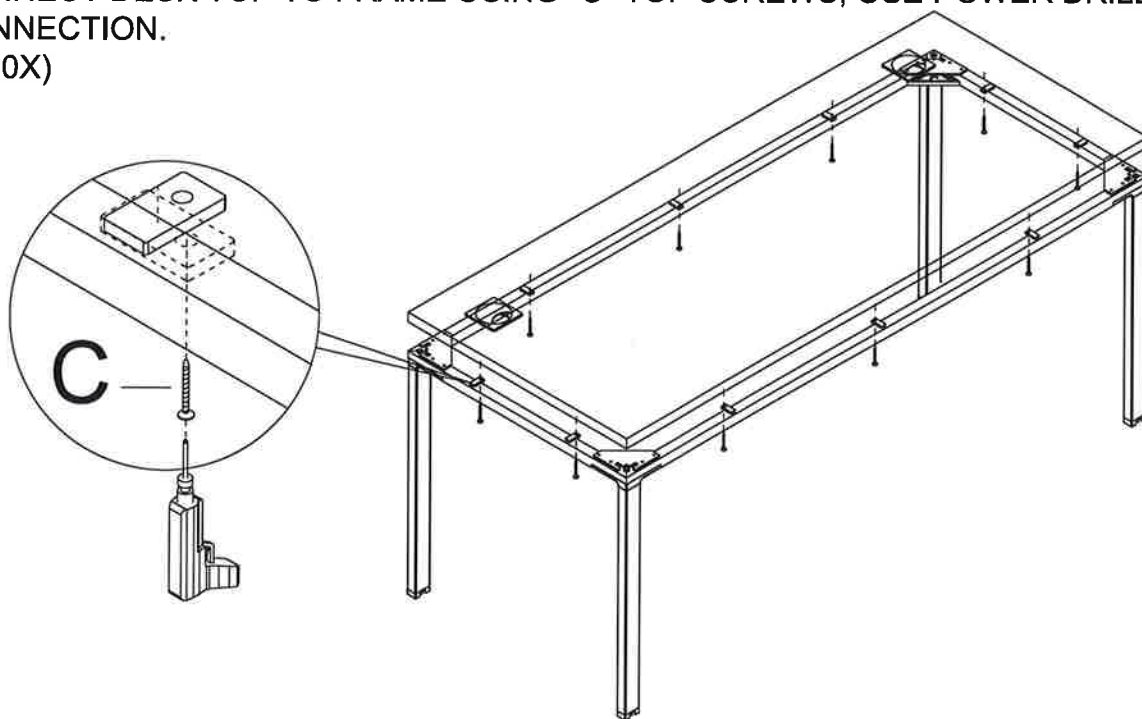
S/N	PICTURE	NAME	TOTAL QTY	REMARK
A		M6*35 Leg screw	4PCS	
B		6M Wrench	1PCS	
C		M6*19 Top screw	10PCS	

1. INSTALL LEGS USING "A" LEG SCREWS, THEN TIGHTEN WITH "B" WRENCH.  
A(4x)  
B(1X)



**Note: If Creating L-Desk, Install top after installing return. Please see return instructions.**

2. CONNECT DESK TOP TO FRAME USING "C" TOP SCREWS, USE POWER DRILL FOR CONNECTION.  
C (10X)



3. COMPLETE.

