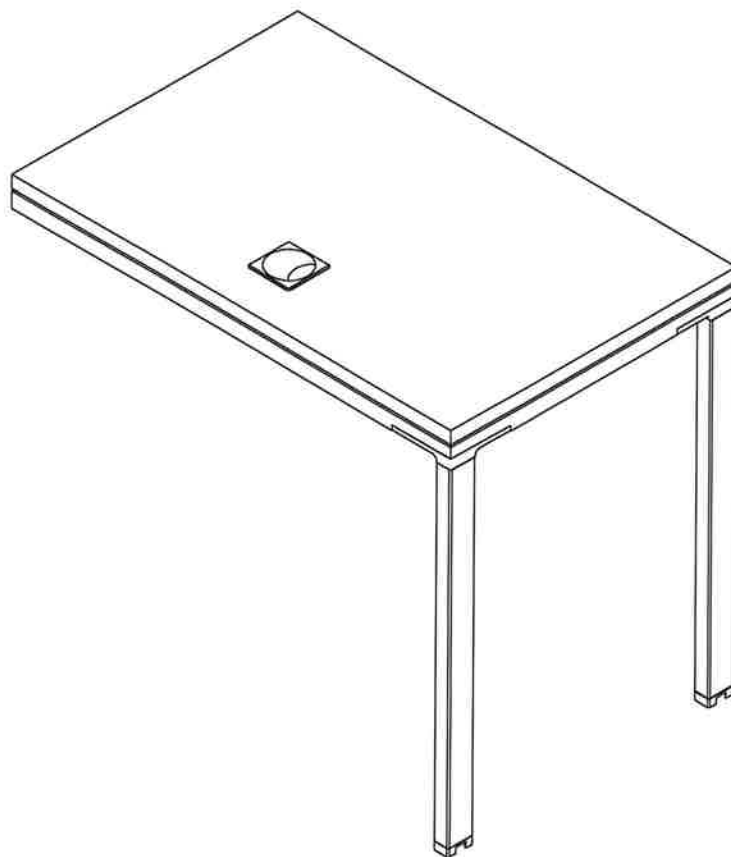
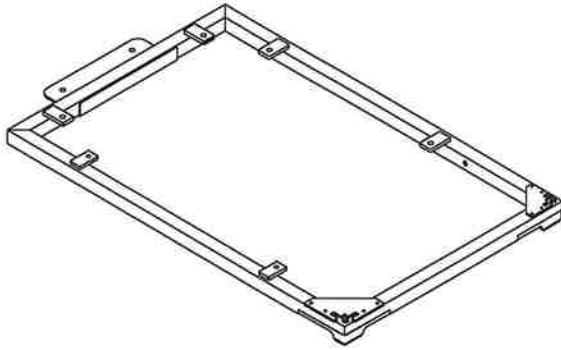


**35" & 47" Return  
Assembly Instructions**



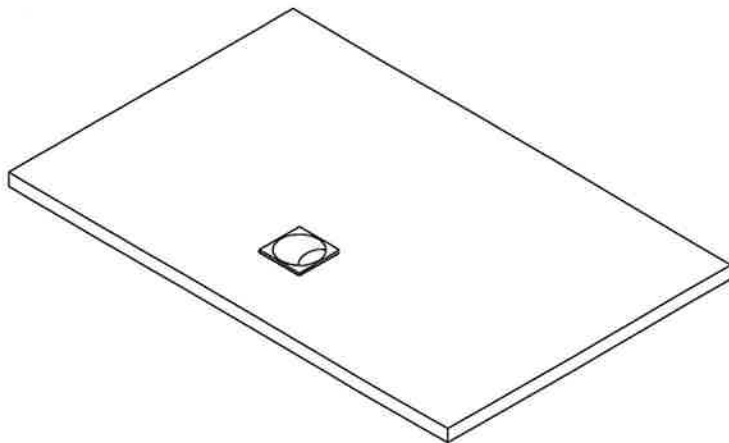
# PART LIST



**Frame with  
L-bracket(1x)**







**Side Leg(2x)**



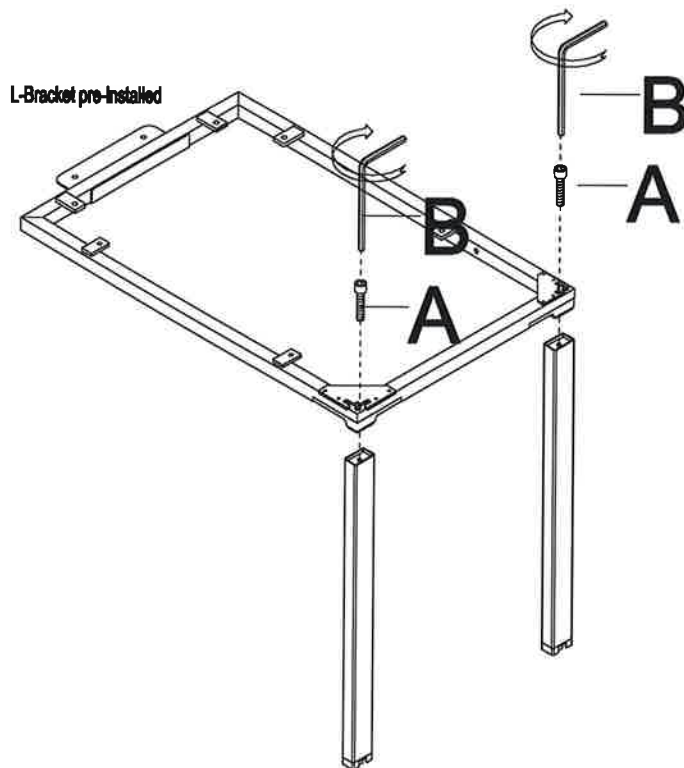
**Return top with  
1 grommet(1x)**

**Assembly HARDWARE**

S/N	PICTURE	NAME	TOTAL QTY	REMARK
A		M8*35 Leg screw	2PCS	
B		6M Wrench	1PCS	
C		M6*18 Top screw	6PCS	
D		M8*12 Support bar screw	2PCS	

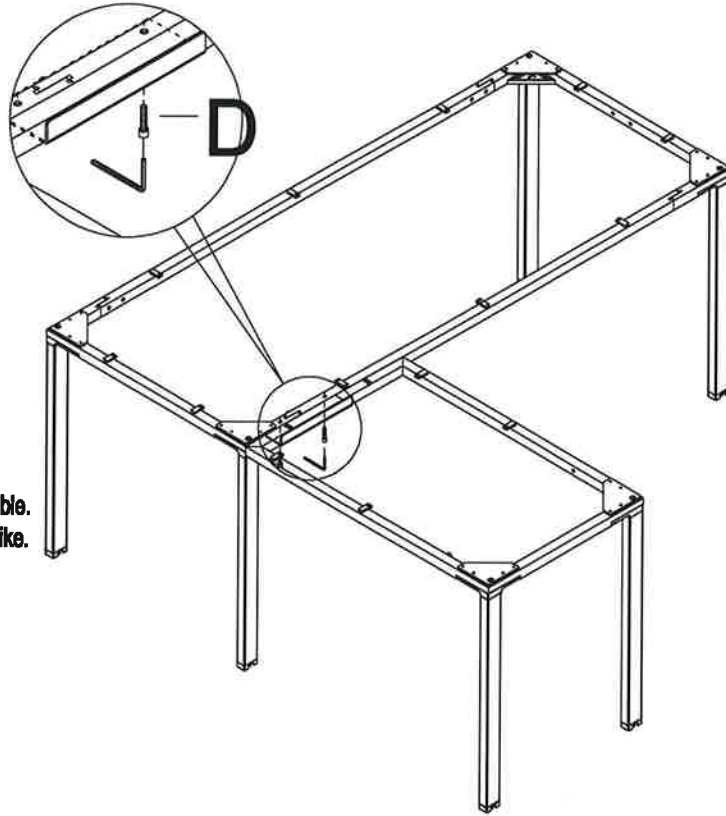
1. INSTALL RETURN FRAME & LEGS USING "A" LEG SCREWS, THEN TIGHTEN WITH "B" WRENCH.

A(2x)  
B(1X)



AS RETURN CAN NOT BE USED STANDING ALONE, PLEASE REFER TO NEXT PAGE ON HOW TO MATCH WITH MAIN DESK. INSTALL TOPS LAST.

- 2. CONNECT 71" OR 59" MAIN DESK FRAME TO RETURN FRAME USING PRE-INSTALLED L-SHAPE BRACKET, "D" CONNECTING AND "B" WRENCH.  
D(2X)  
B(1X)**



**Note: Return is left and right reversible.  
Can be installed at any corner you like.**

- 3. CONNECT RETURN TOP TO FRAME & LEG USING "C" TOP SCREWS, USE POWER DRILL FOR CONNECTION.  
C (6X)**

