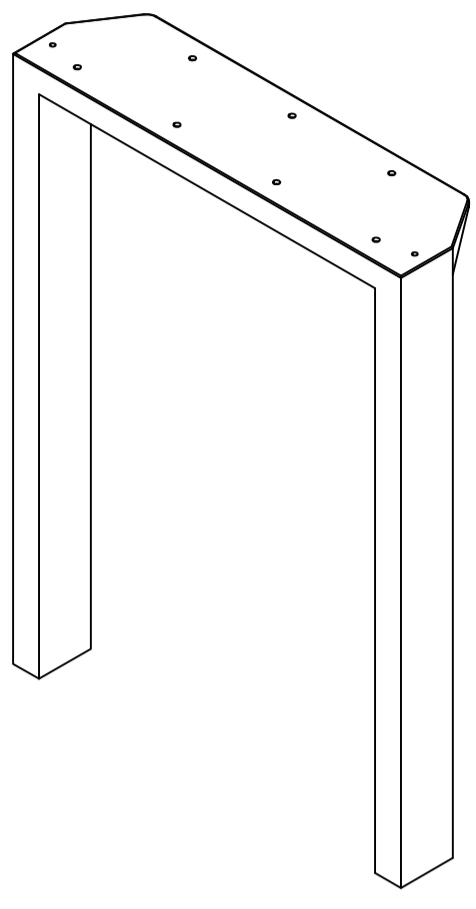


COMPONENTS

A Base Leg-2pcs



HARDWARE & TOOLS

C 60*50*3mm-2pcs

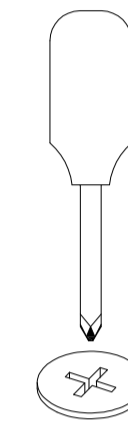
D Phillips Screw M6X15mm-15pcs

E Screw Ø4X16mm-5pcs

F Screw Ø4.2X16mm-5pcs

G Plastic mat -4pcs

Tools Required for Assembly

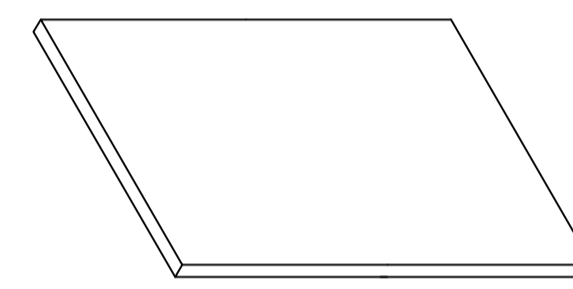
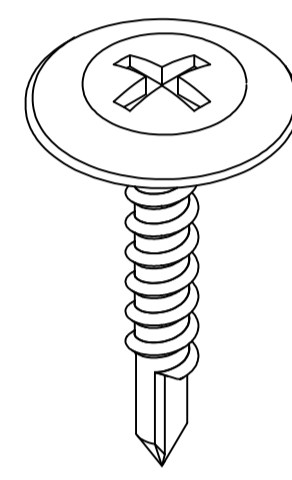
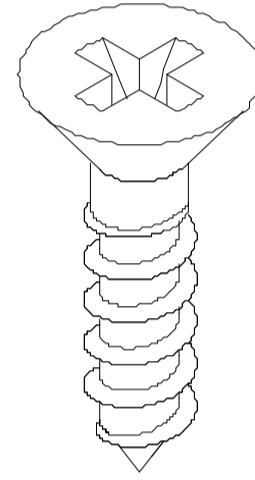
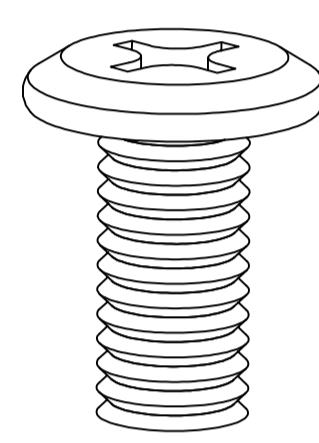
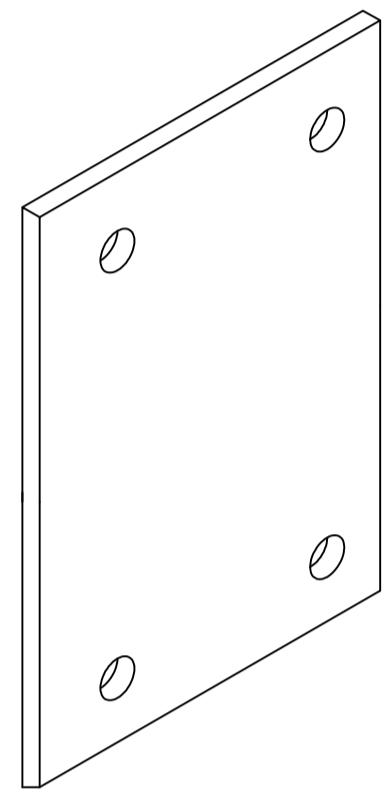


Philips Screw Driver for

D Phillips Screw M6X15mm

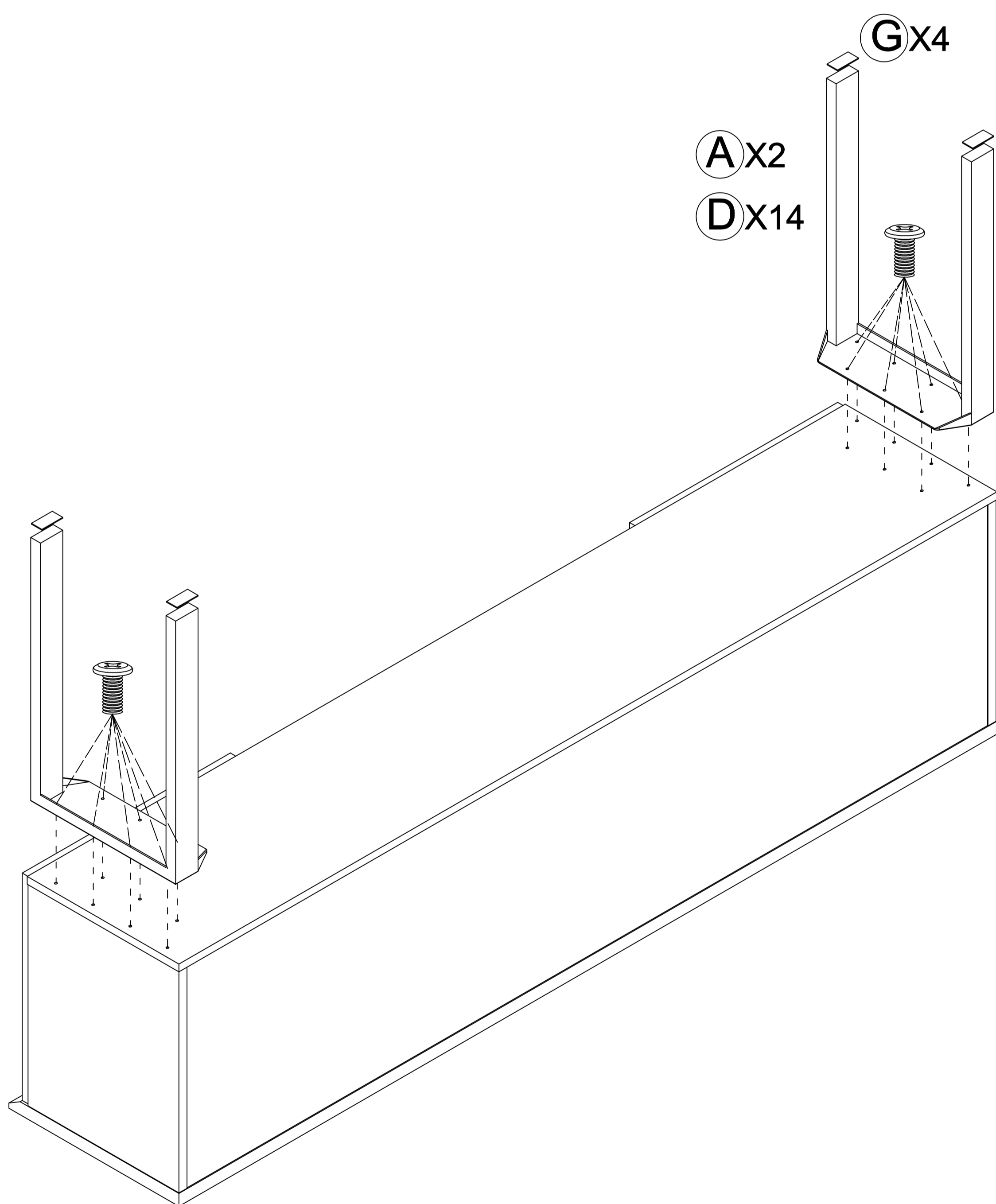
E Screw Ø4X16mm

F Screw Ø4.2X16mm

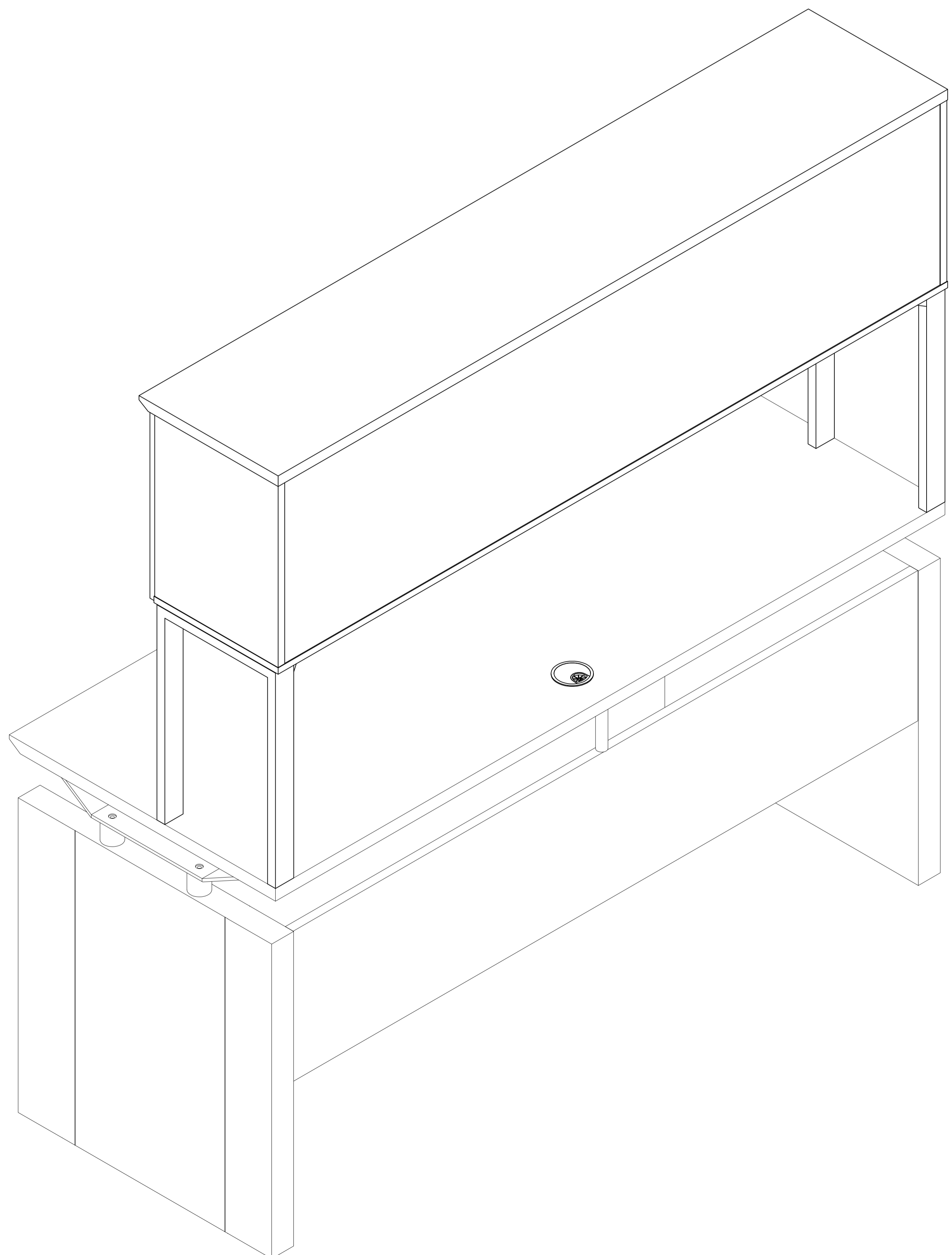


INSTRUCTIONS - Do not use power tools to assemble

STEP 1

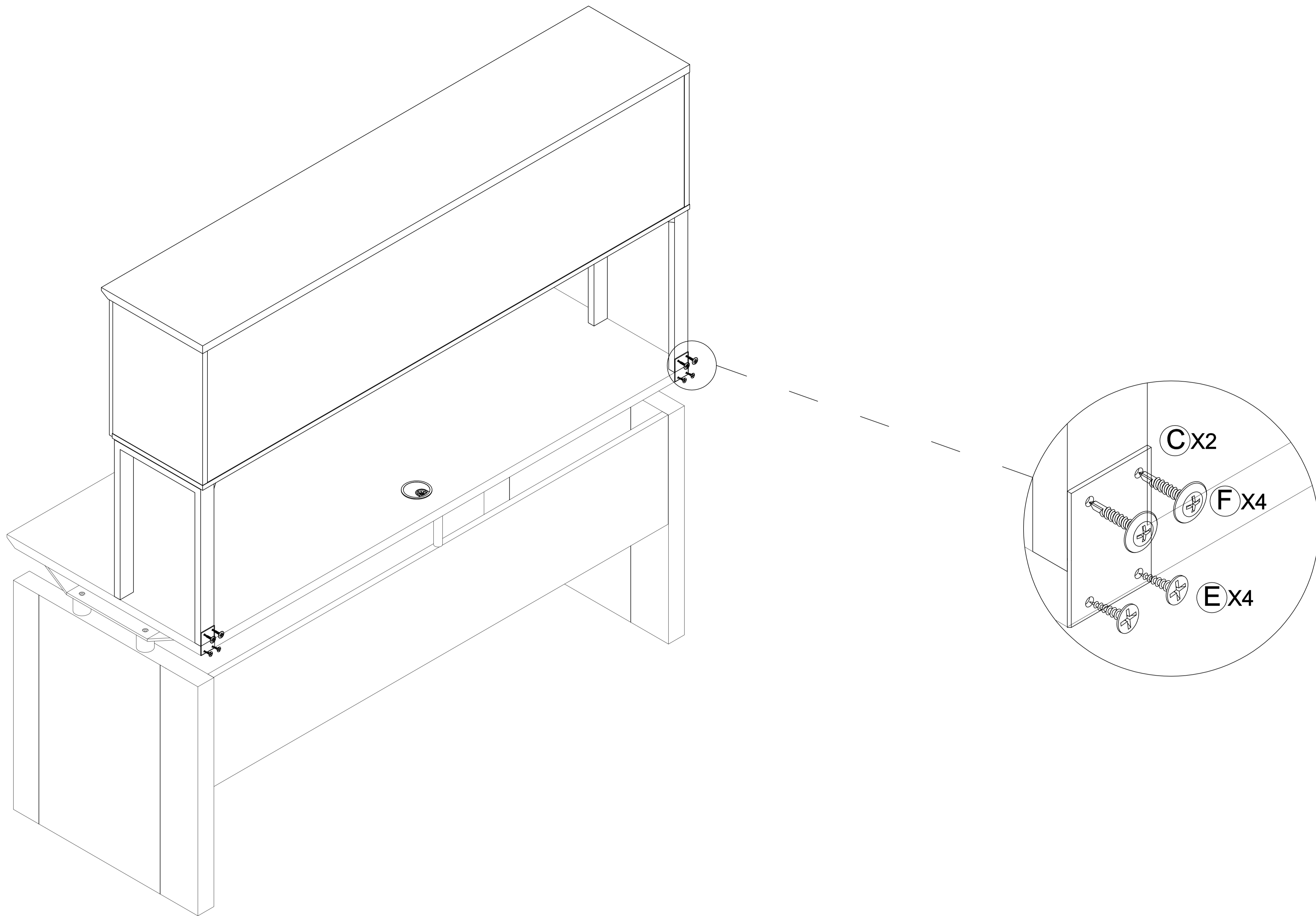


STEP 2



INSTRUCTIONS - Do not use power tools to assemble

STEP 2



COMPLETED

