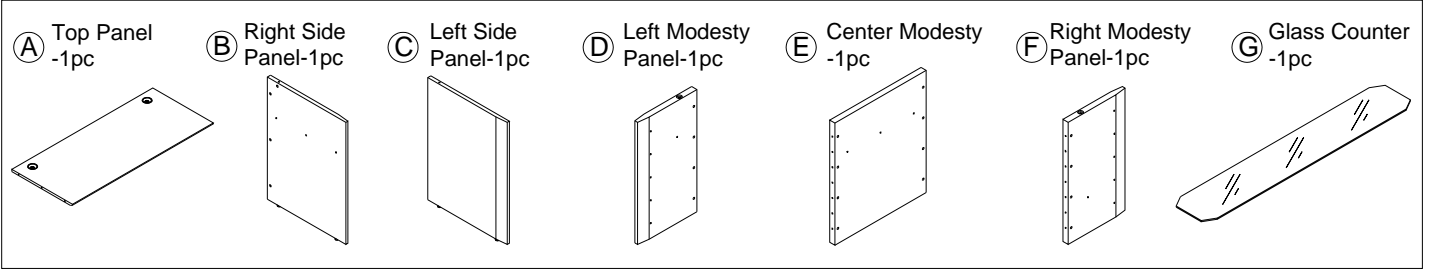
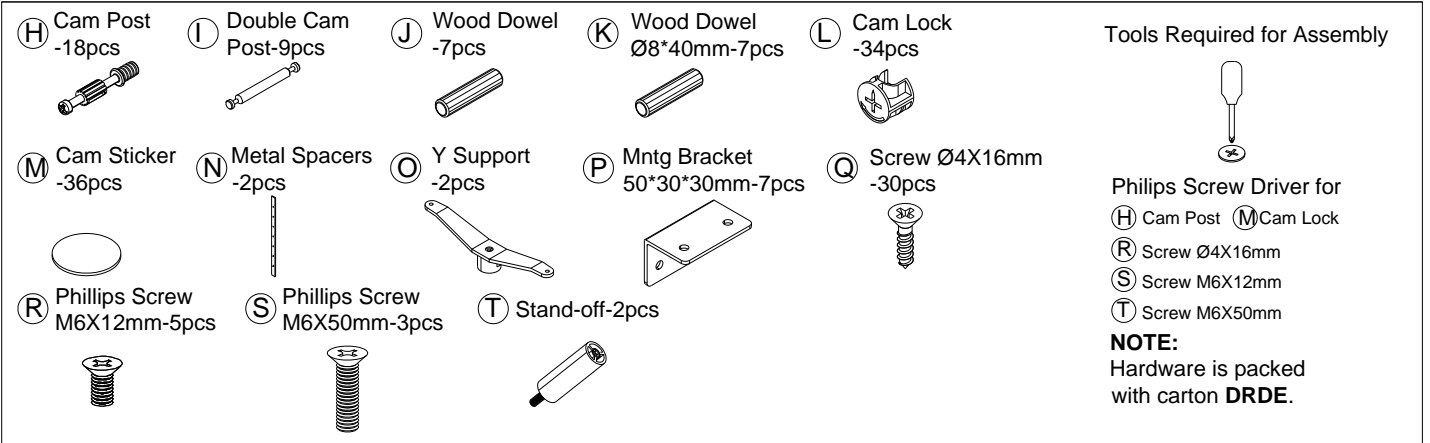


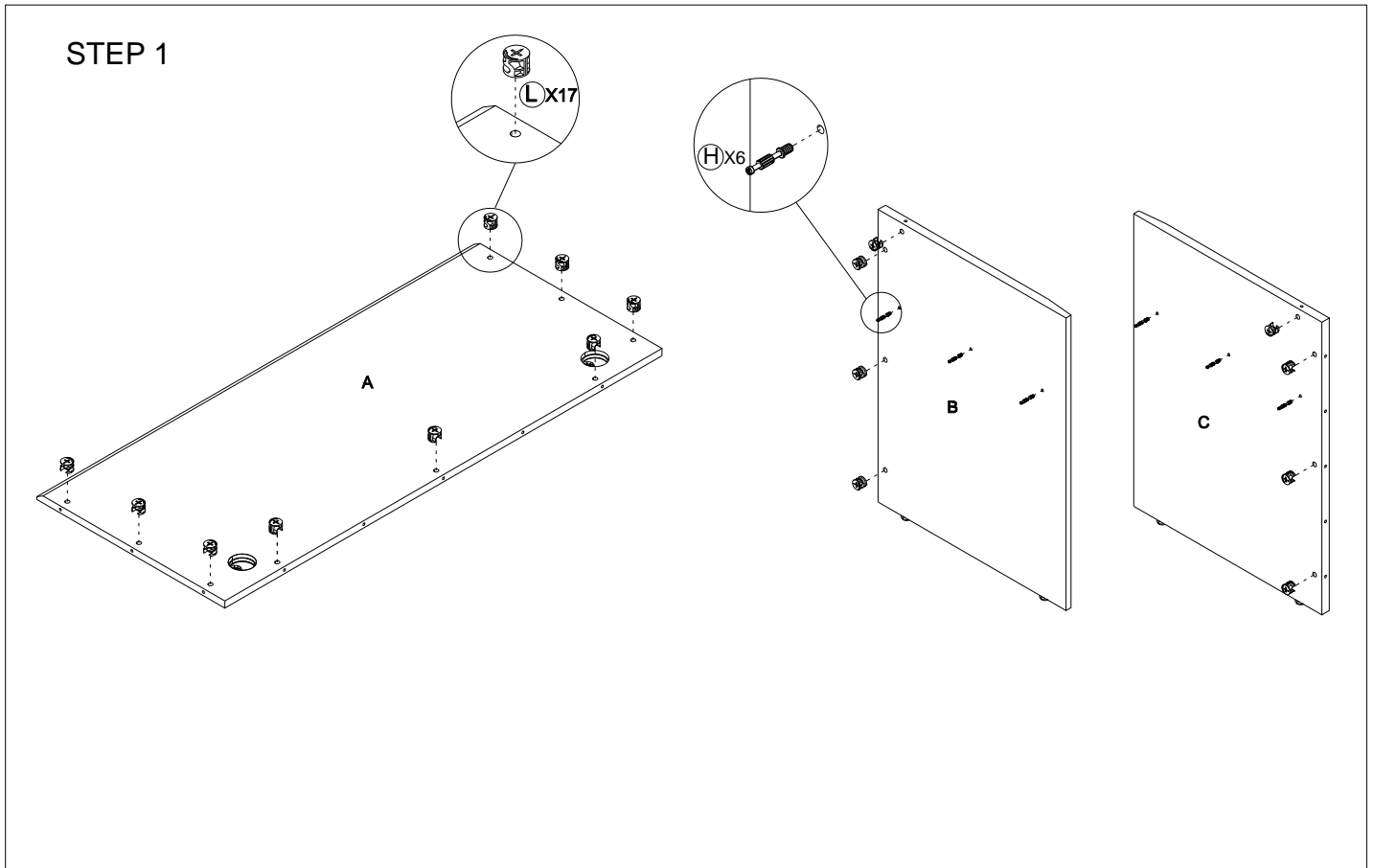
COMPONENTS



HARDWARE & TOOLS

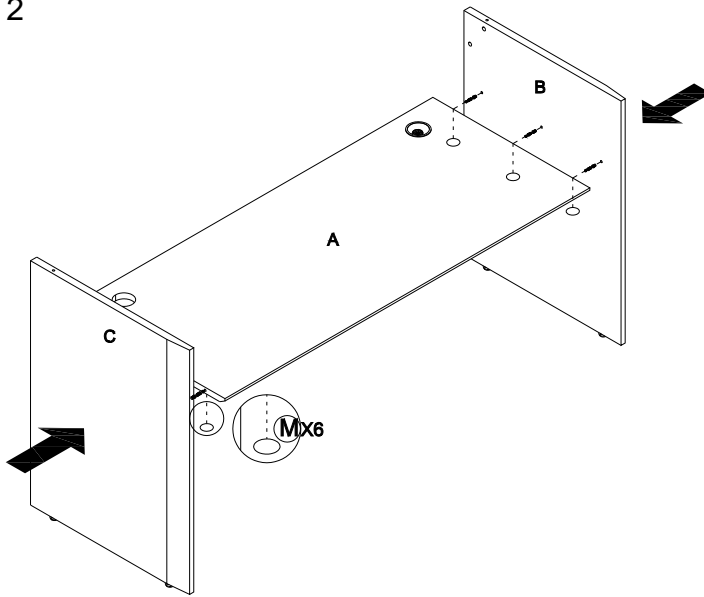


INSTRUCTIONS - DO NOT USE POWER TOOLS TO ASSEMBLE

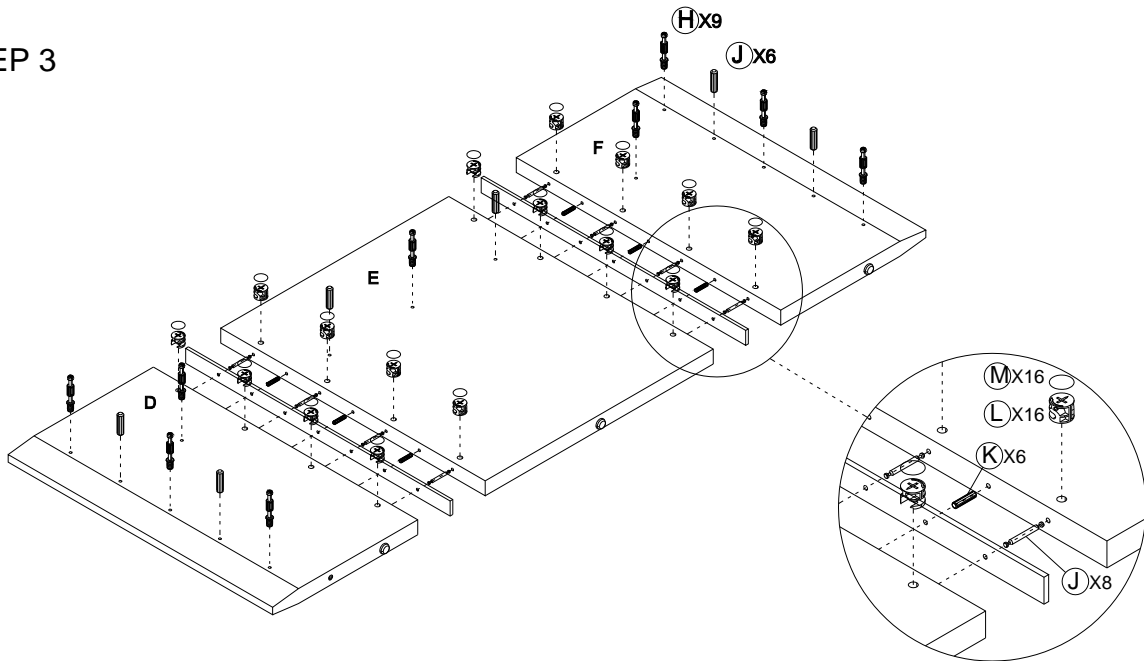


INSTRUCTIONS

STEP 2

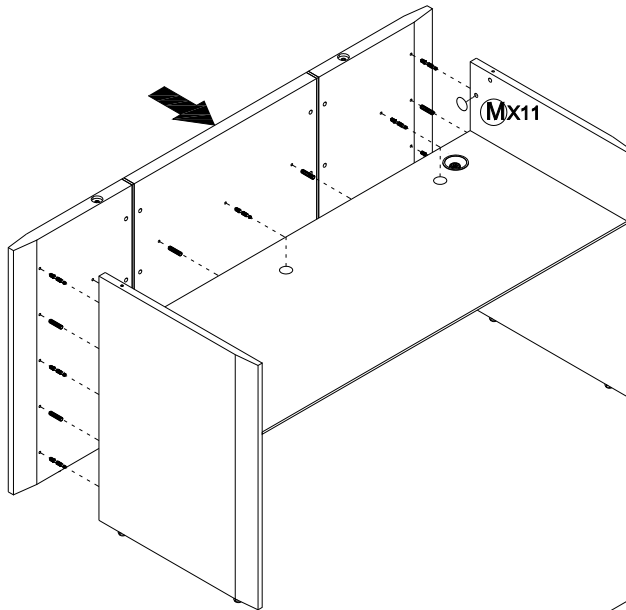


STEP 3

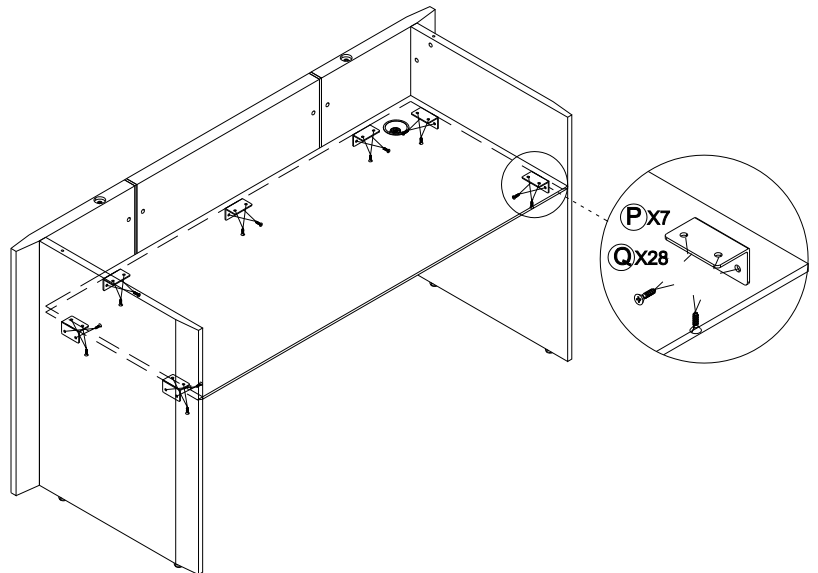


INSTRUCTIONS

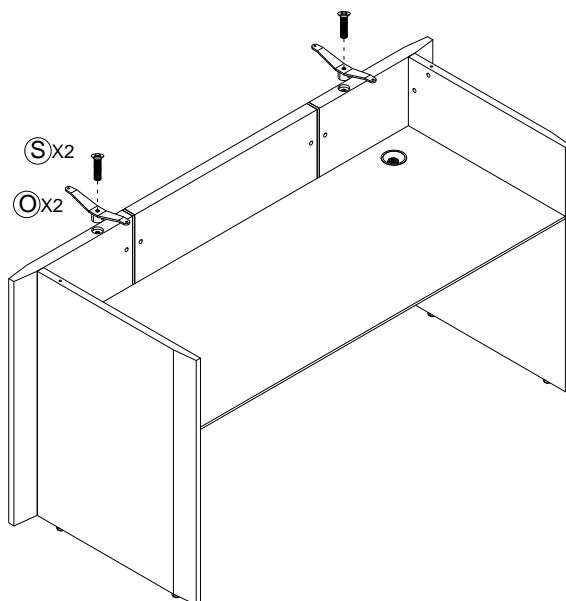
STEP 4



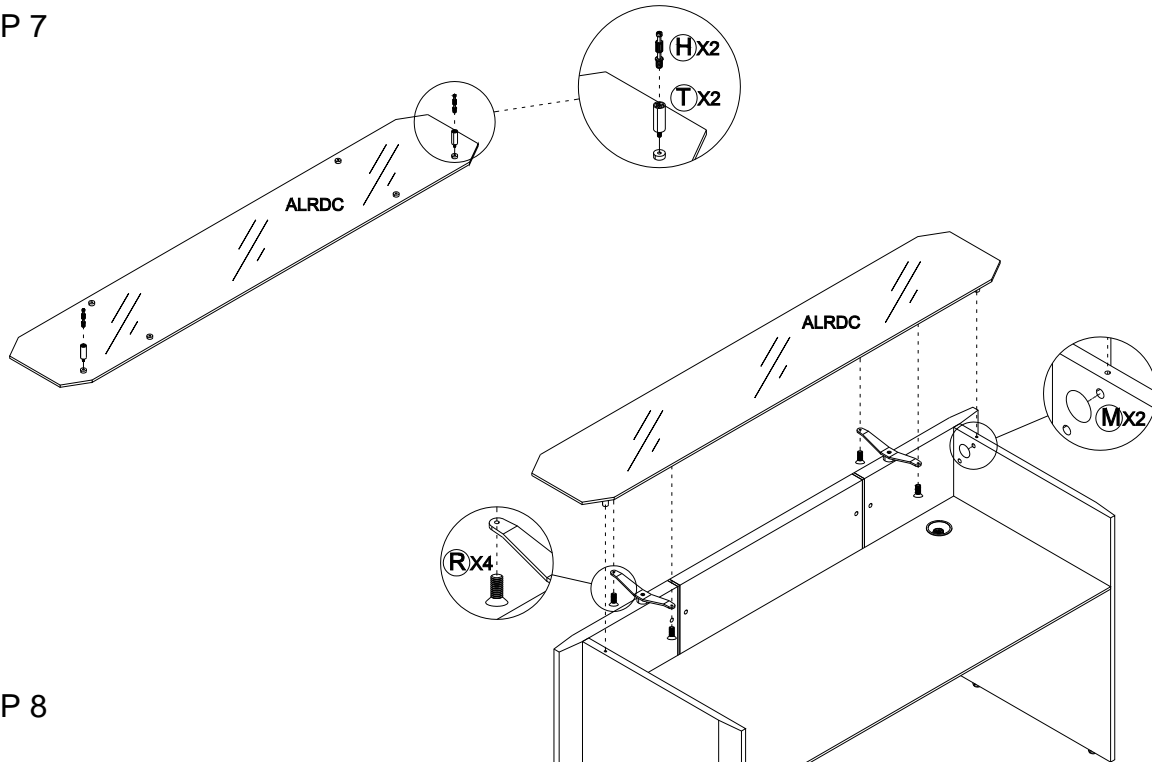
STEP 5



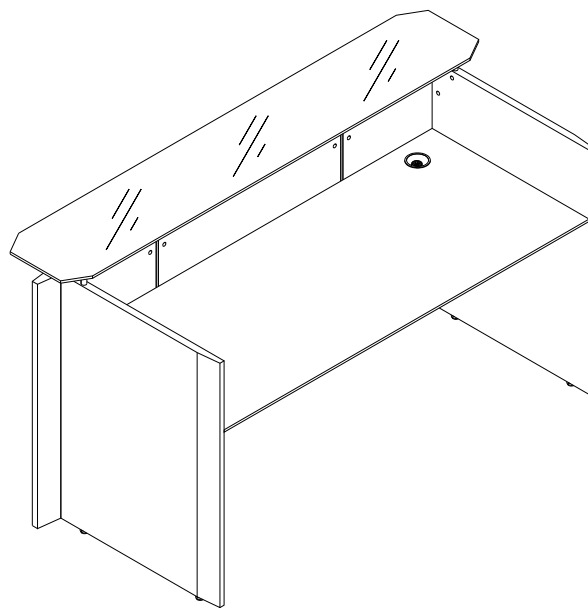
STEP 6



STEP 7



STEP 8



COMPLETED