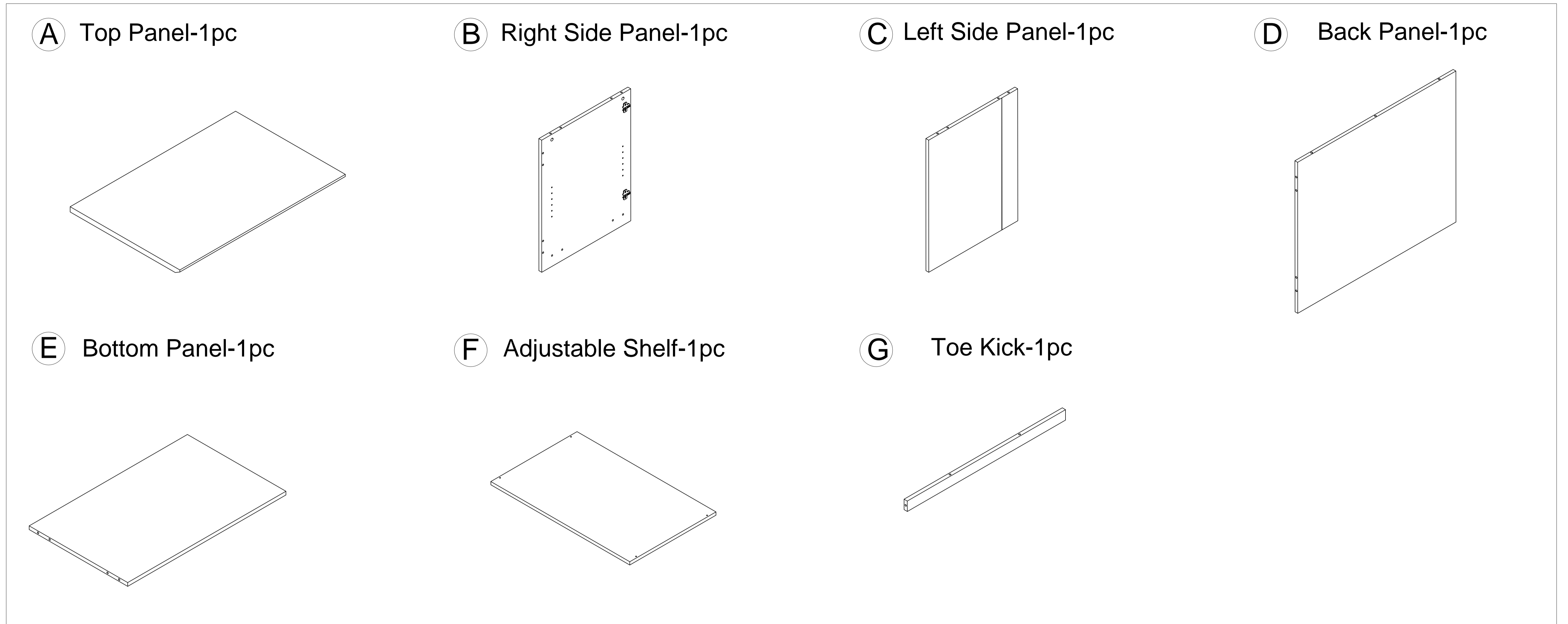
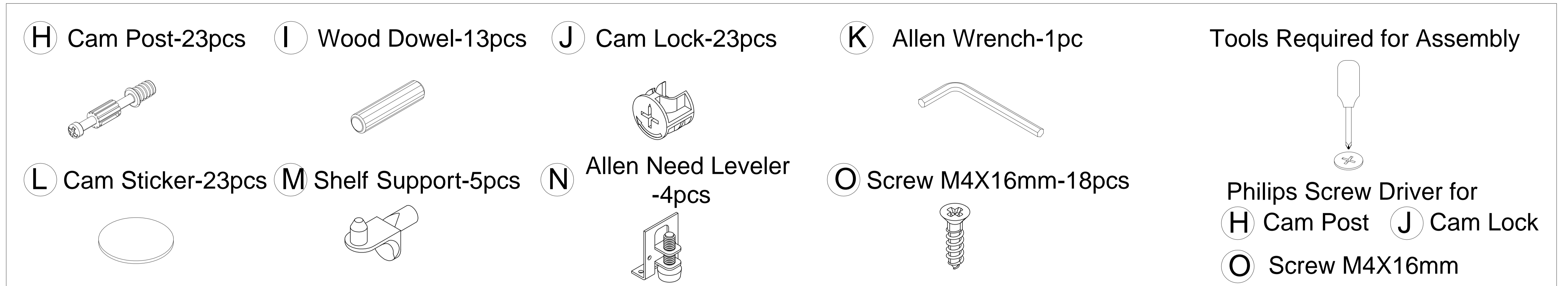


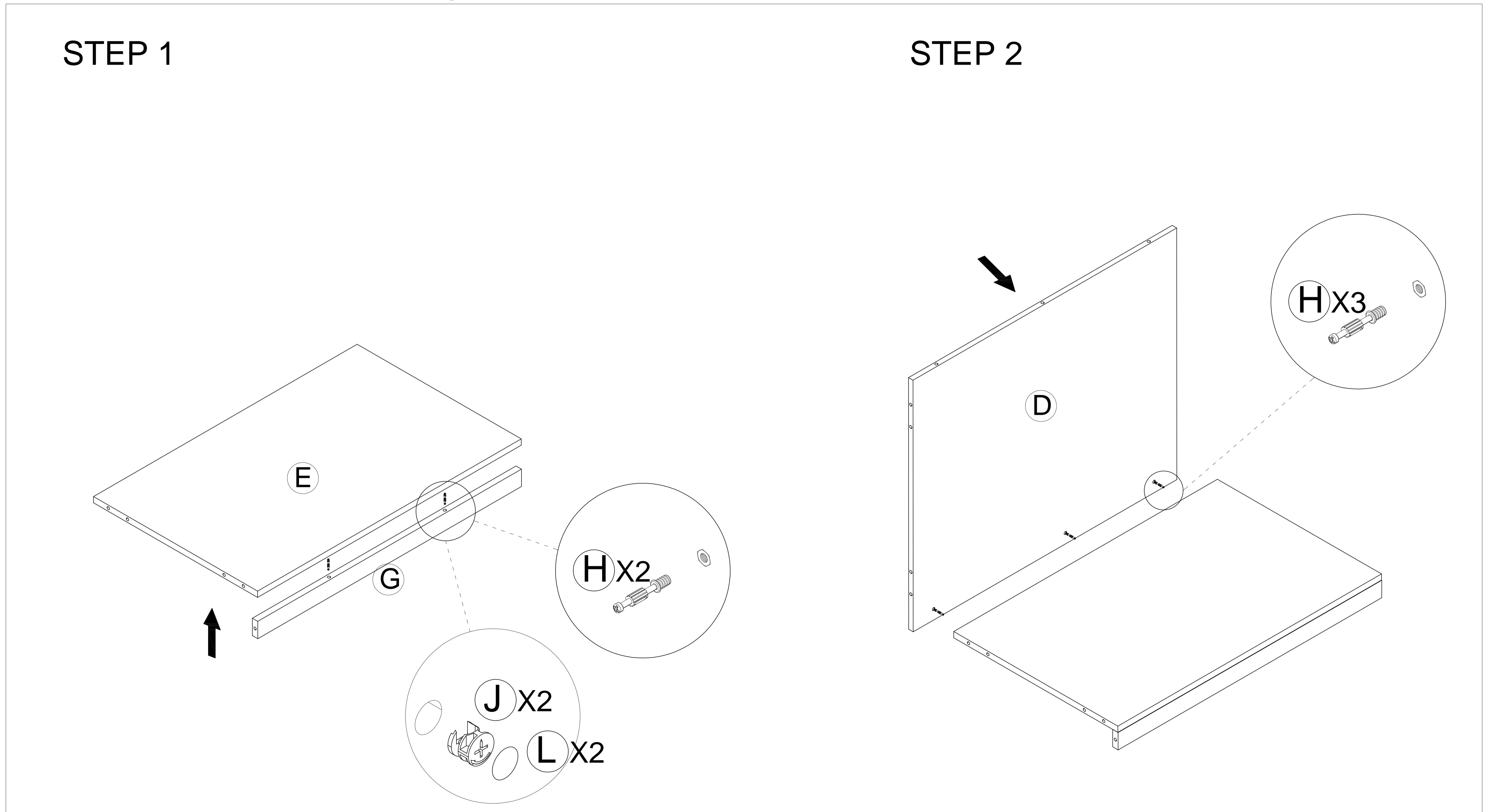
COMPONENTS



HARDWARE & TOOLS

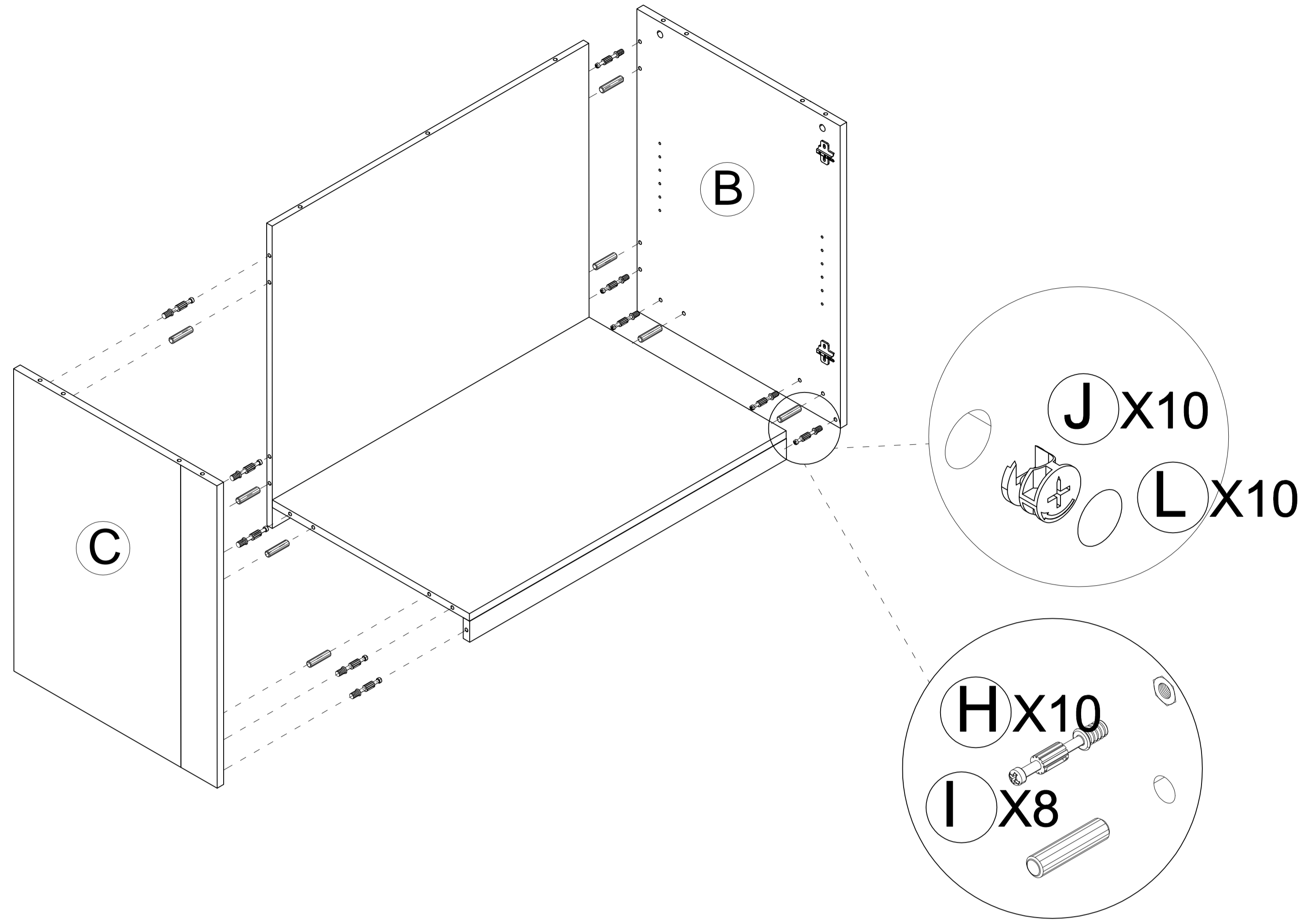


INSTRUCTIONS - Do not use power tools to assemble

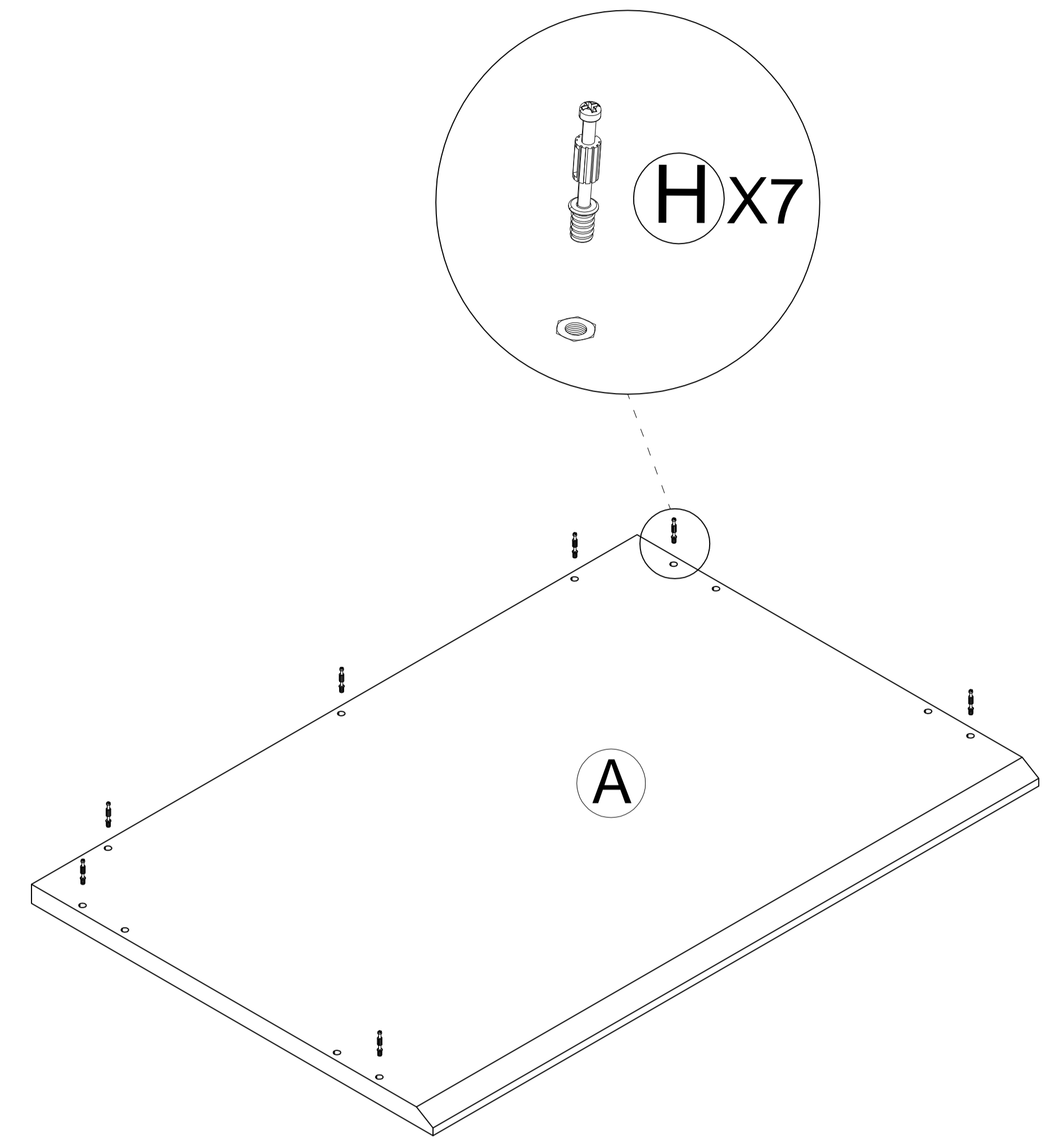


INSTRUCTIONS

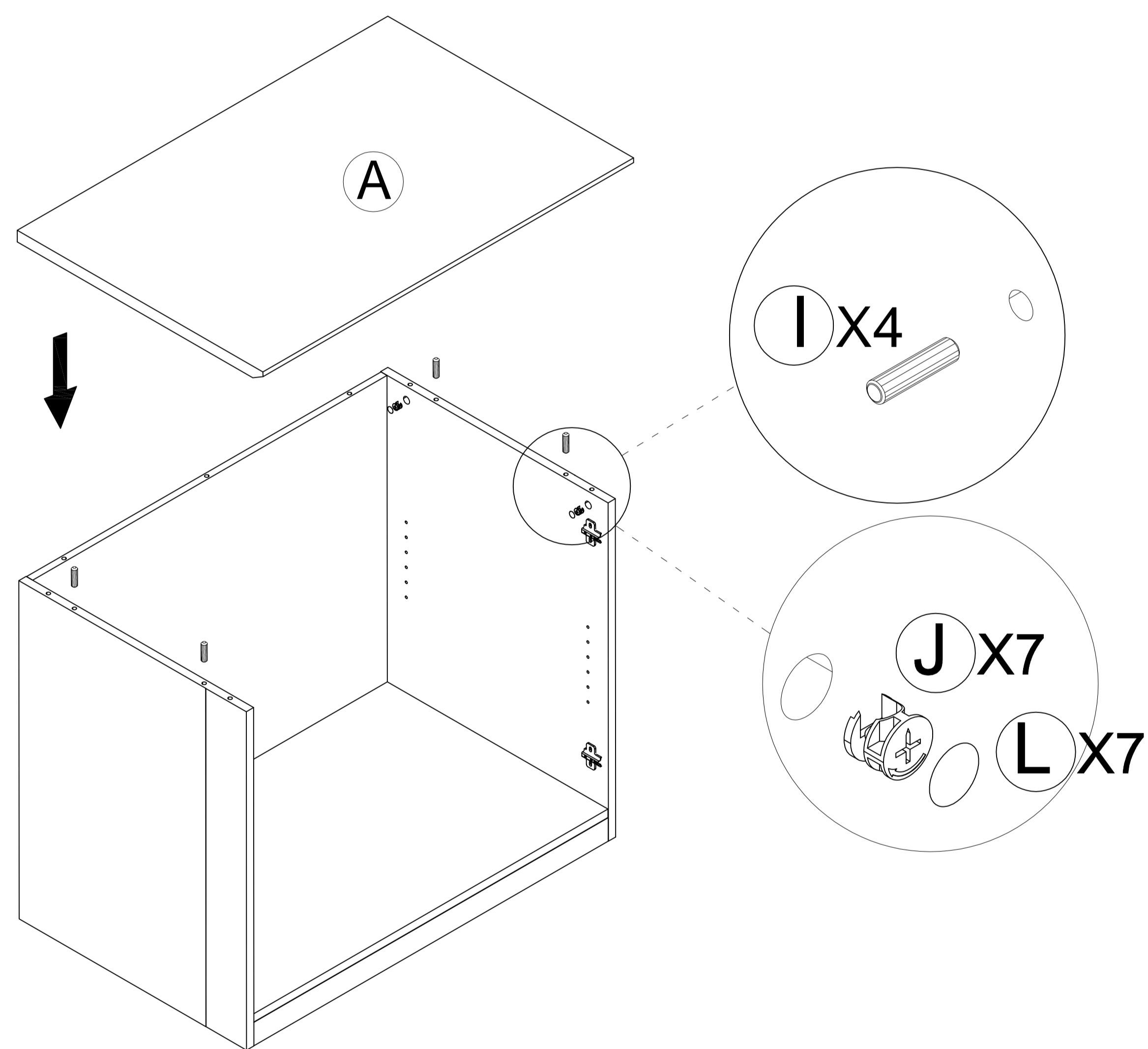
STEP 3



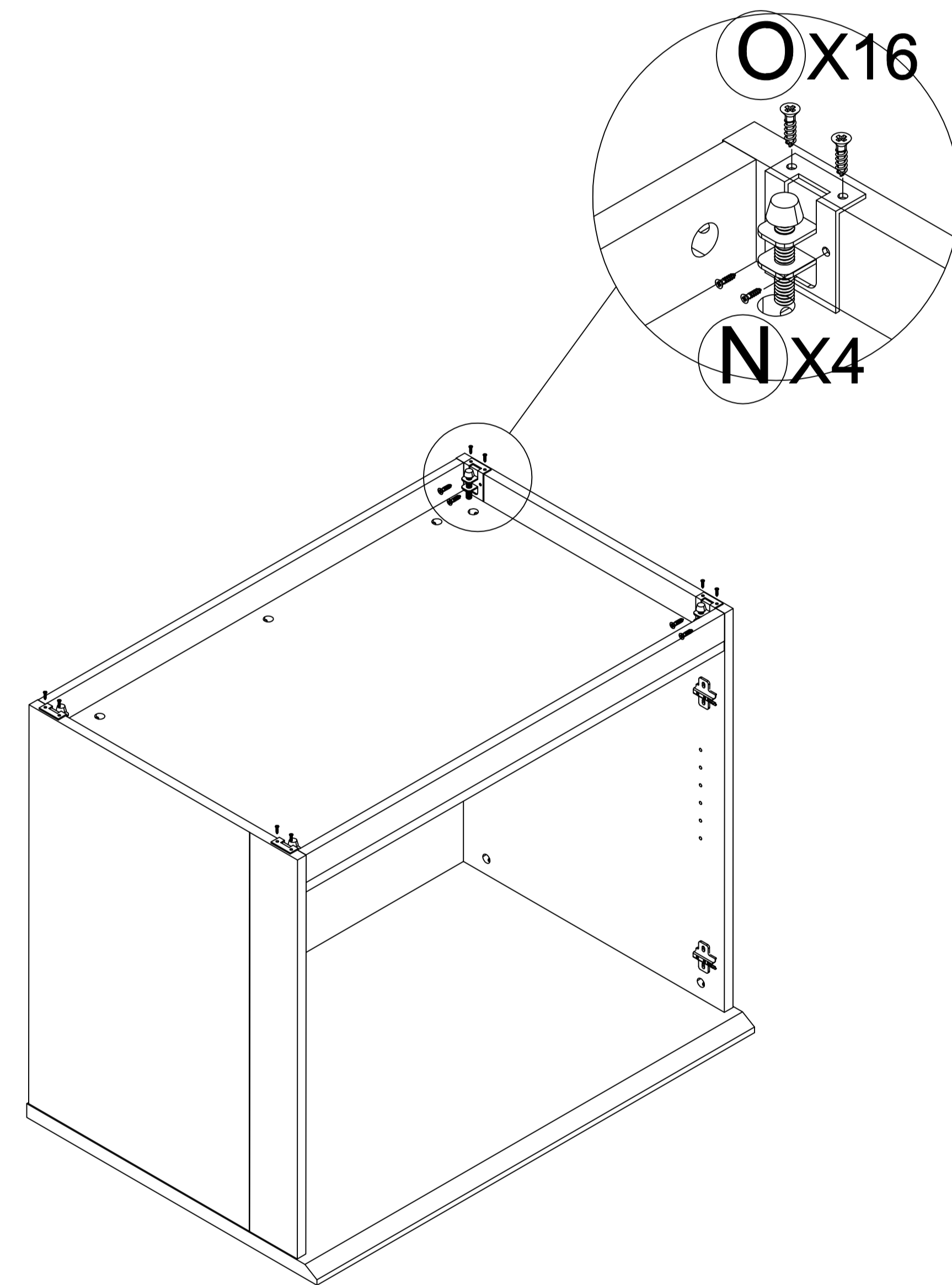
STEP 4



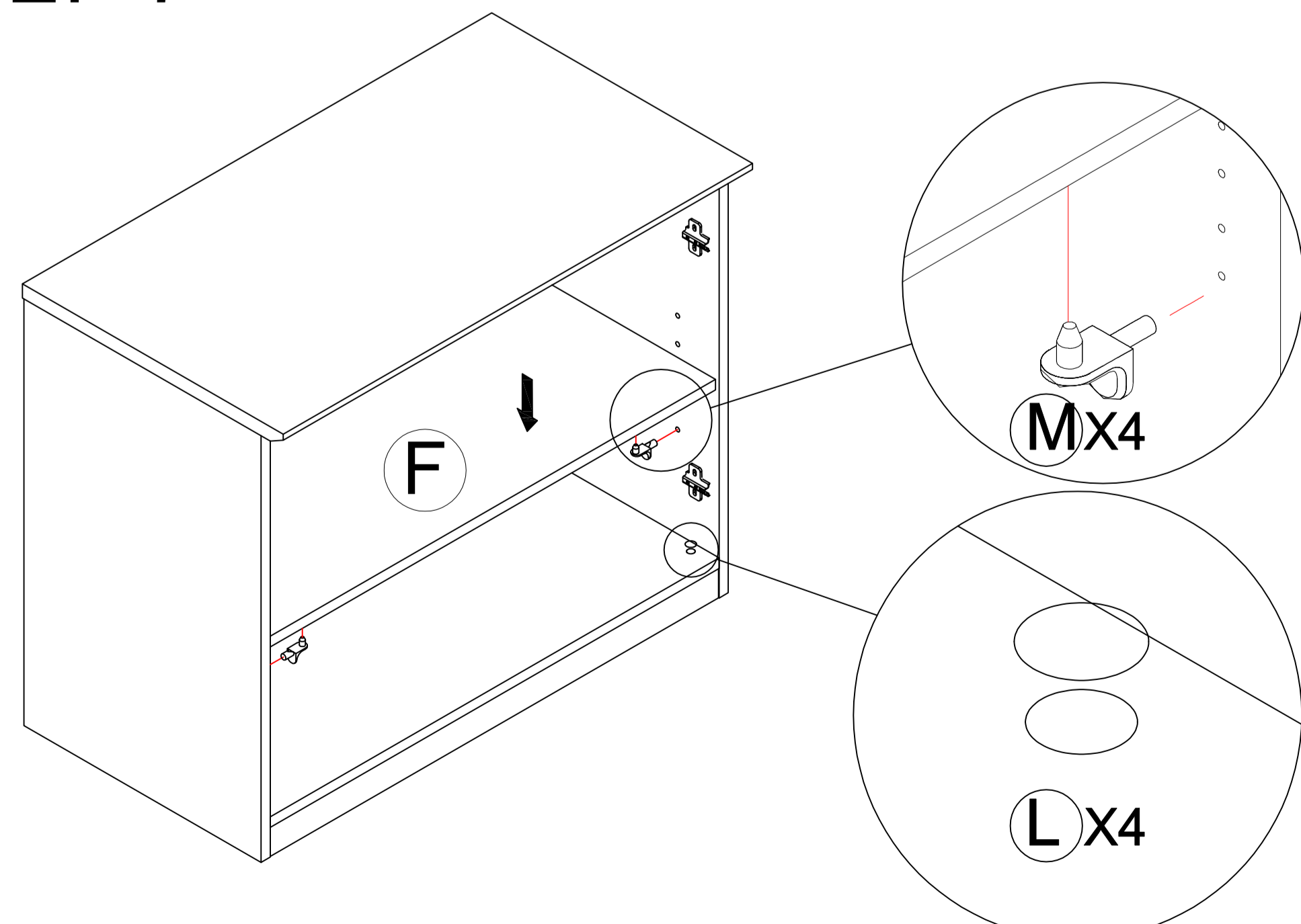
STEP 5



STEP 6



STEP 7



COMPLETED

