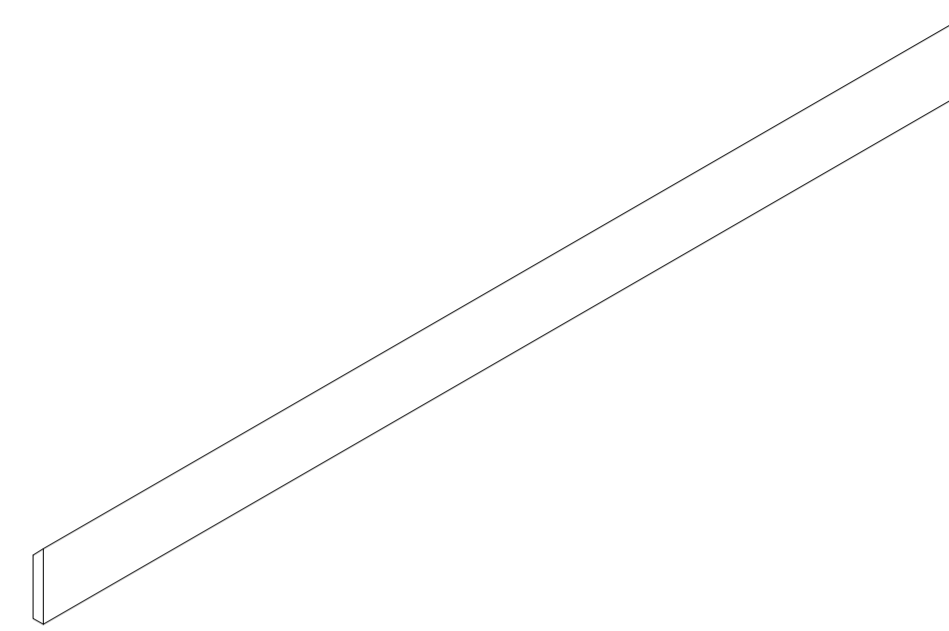
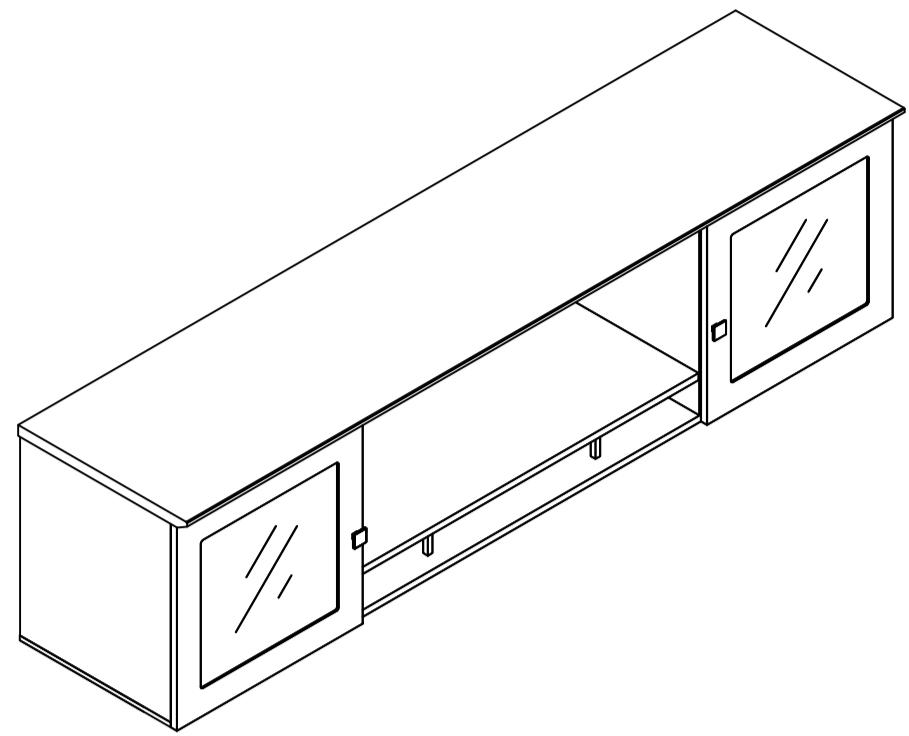


COMPONENTS

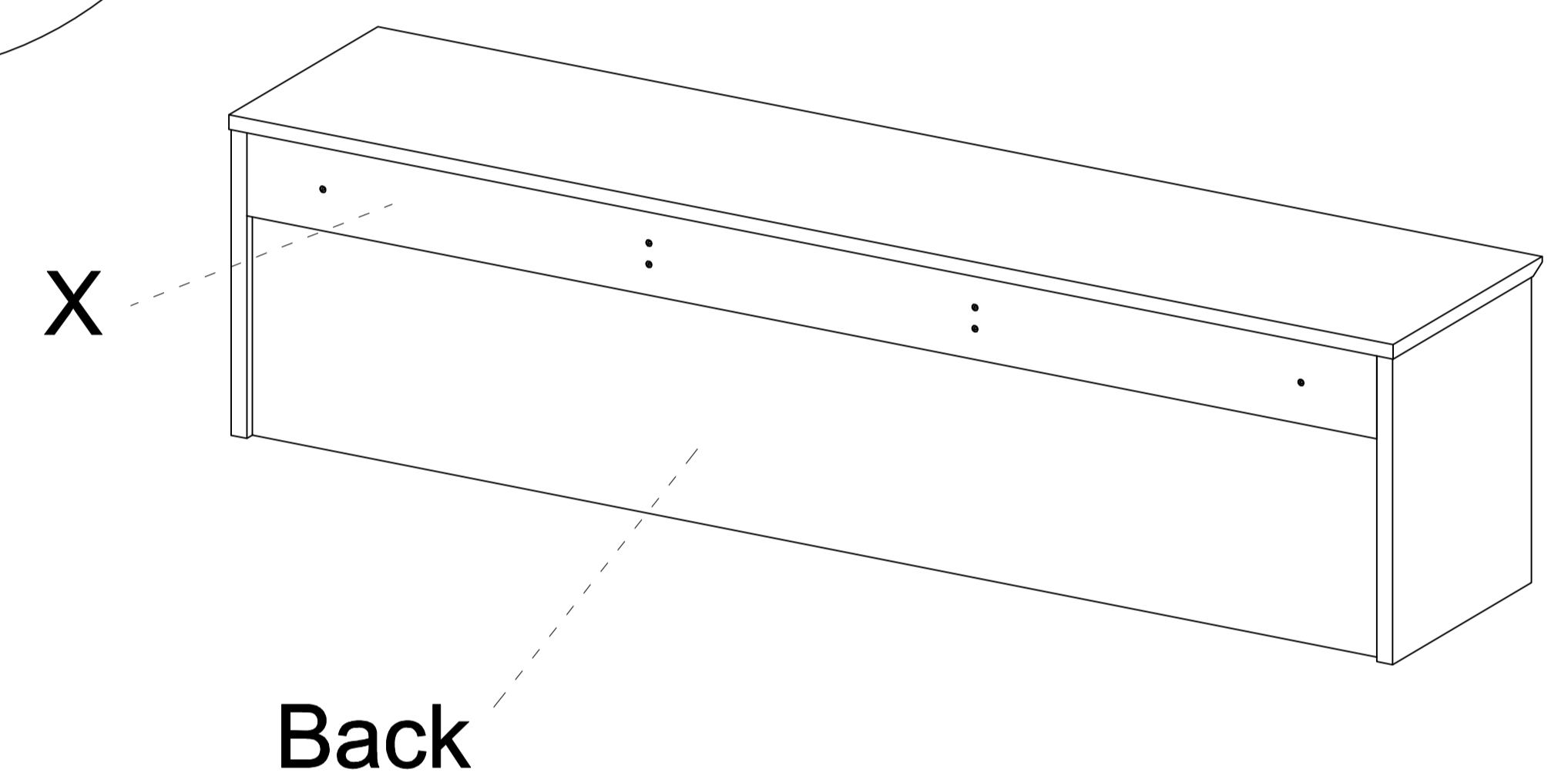
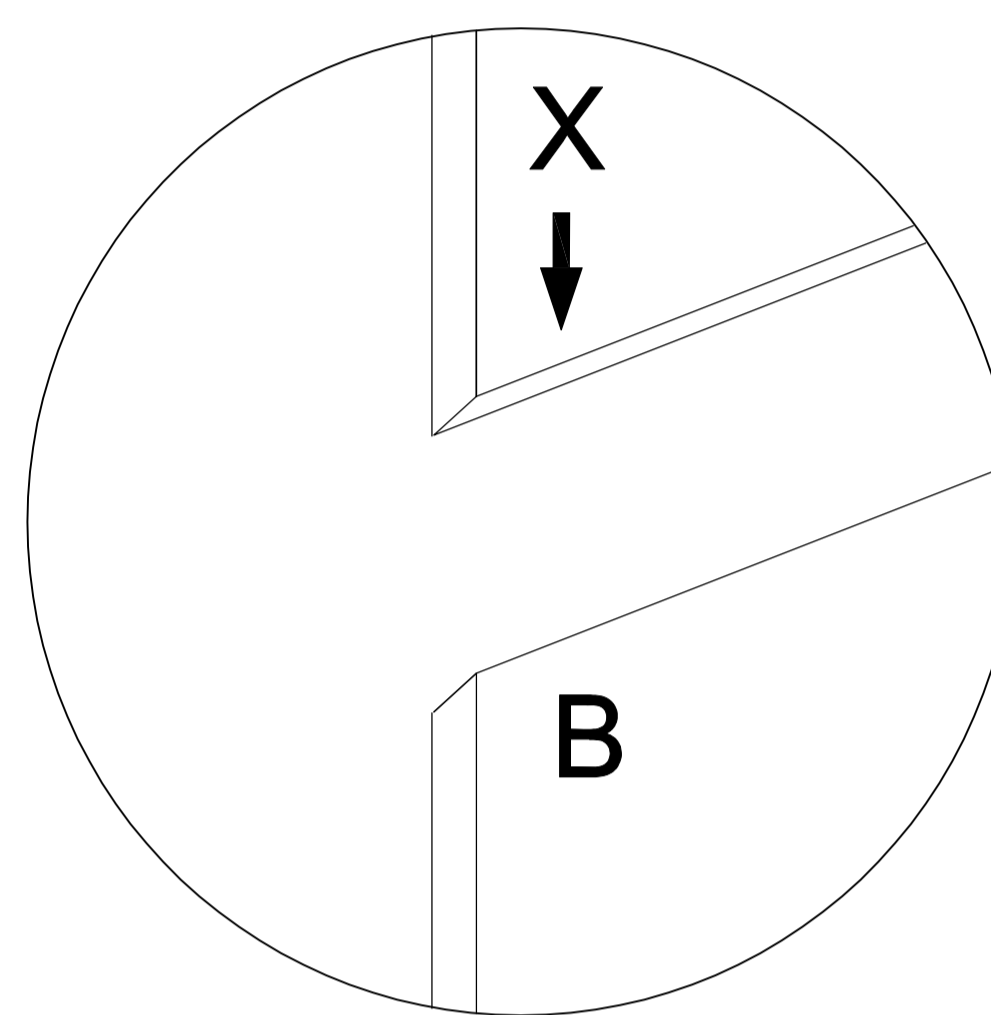
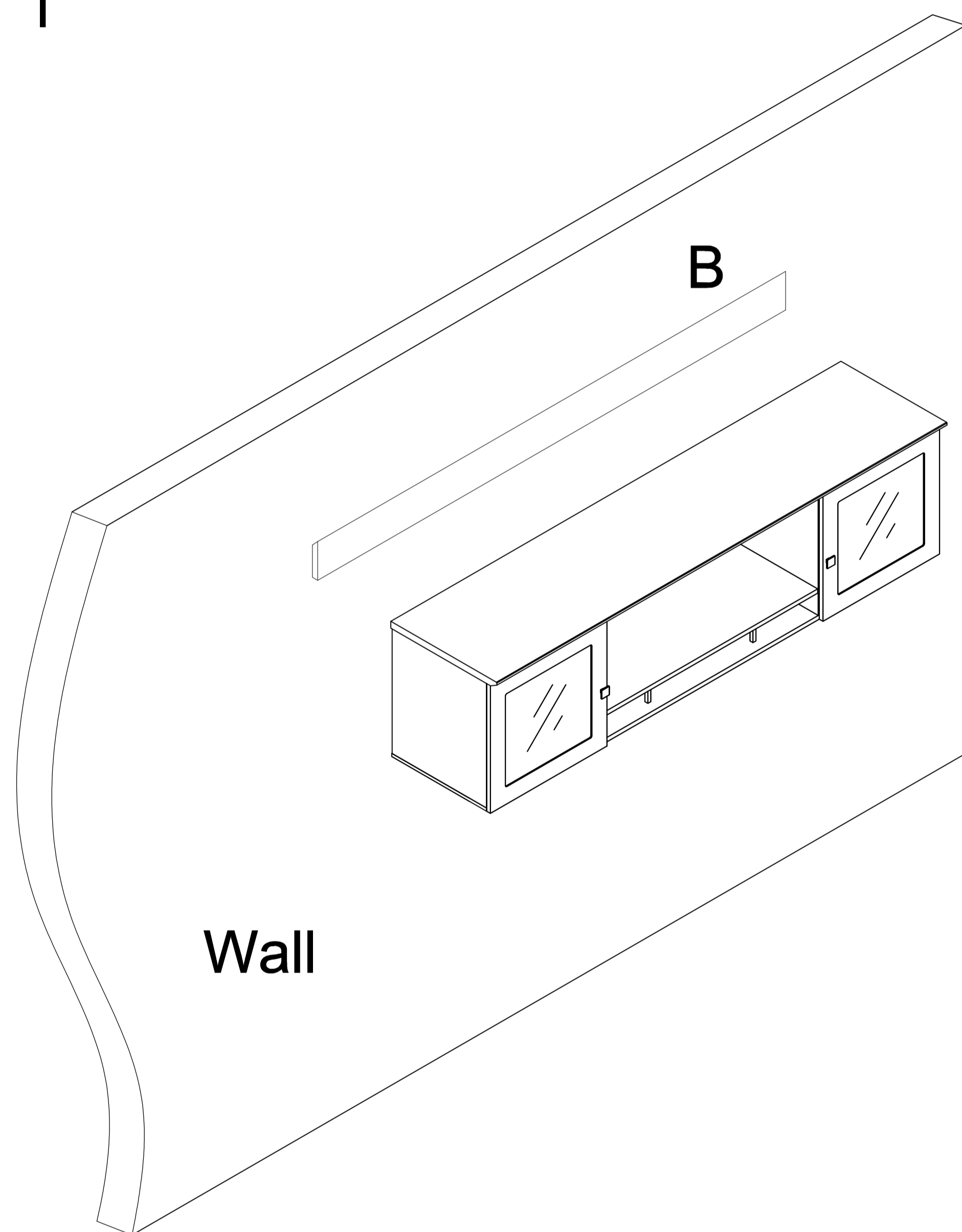
A Hutch-1pc

B Wall Mounting Board-1pc

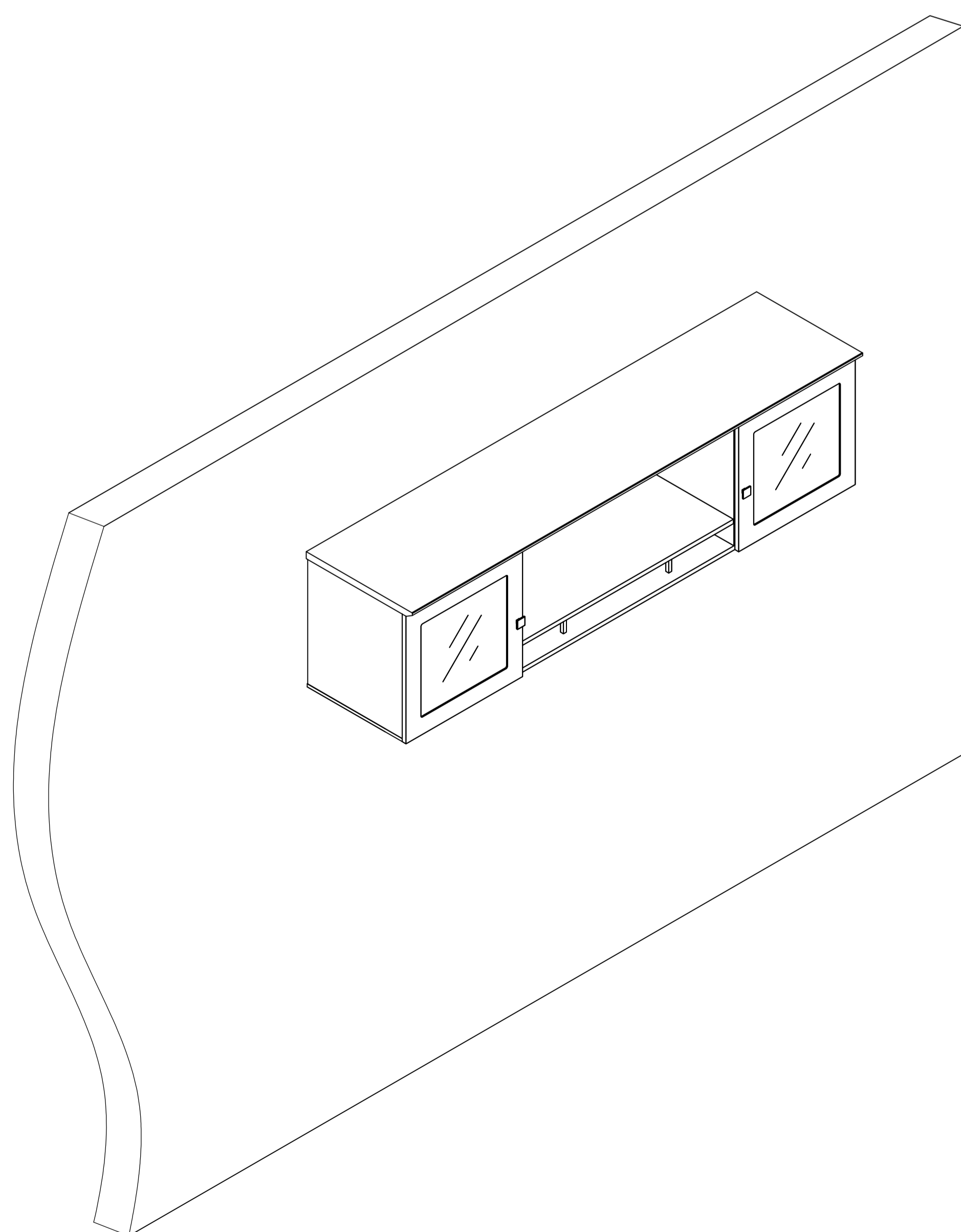


INSTRUCTIONS

STEP 1



COMPLETED

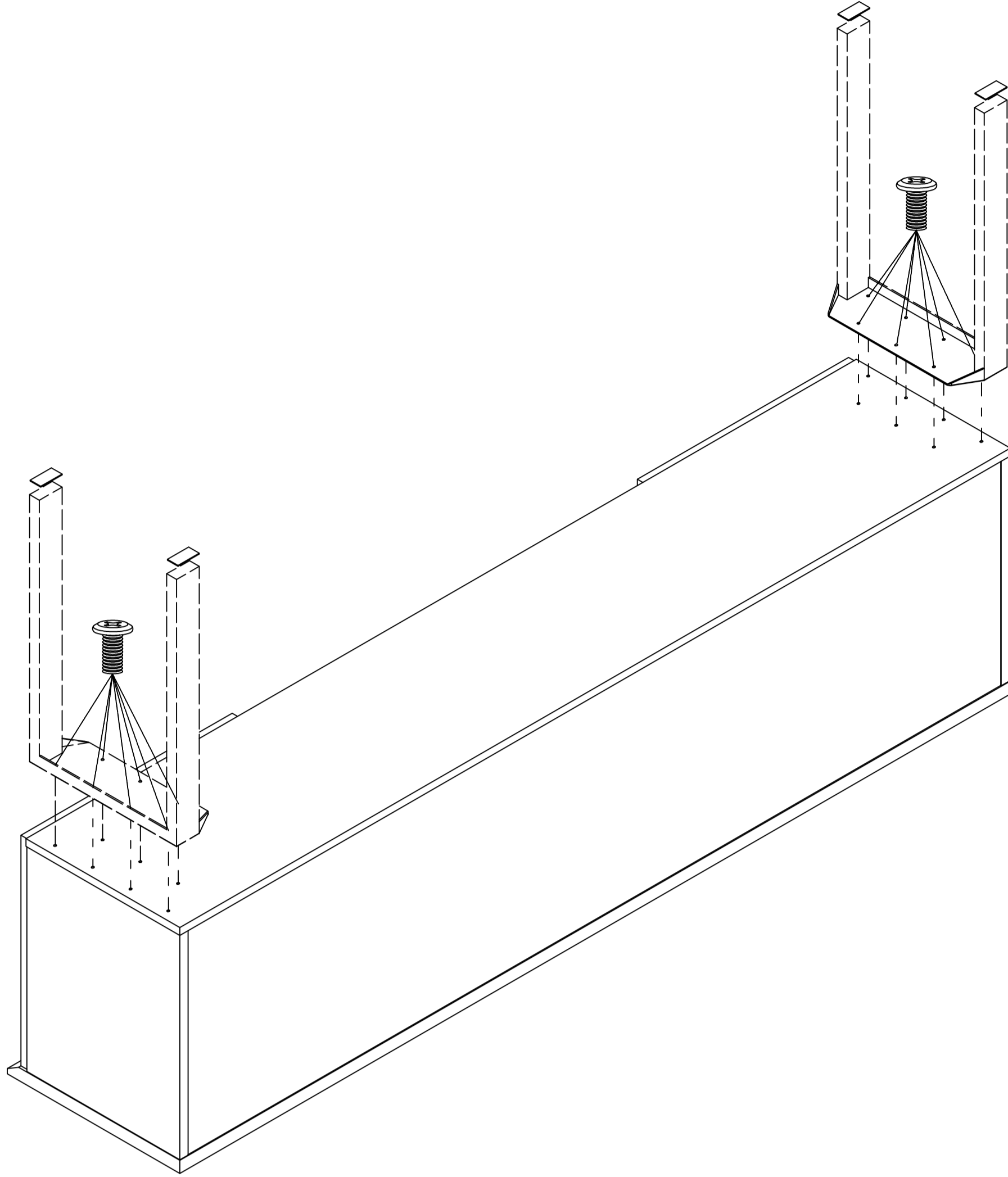


Mounting Board Installation - Due to the various wall construction methods, it is up to a professional installer to secure the Wall Mounting Board (B) to the wall with the proper fasteners and/or anchors as required by the wall construction at the desired mounting location.

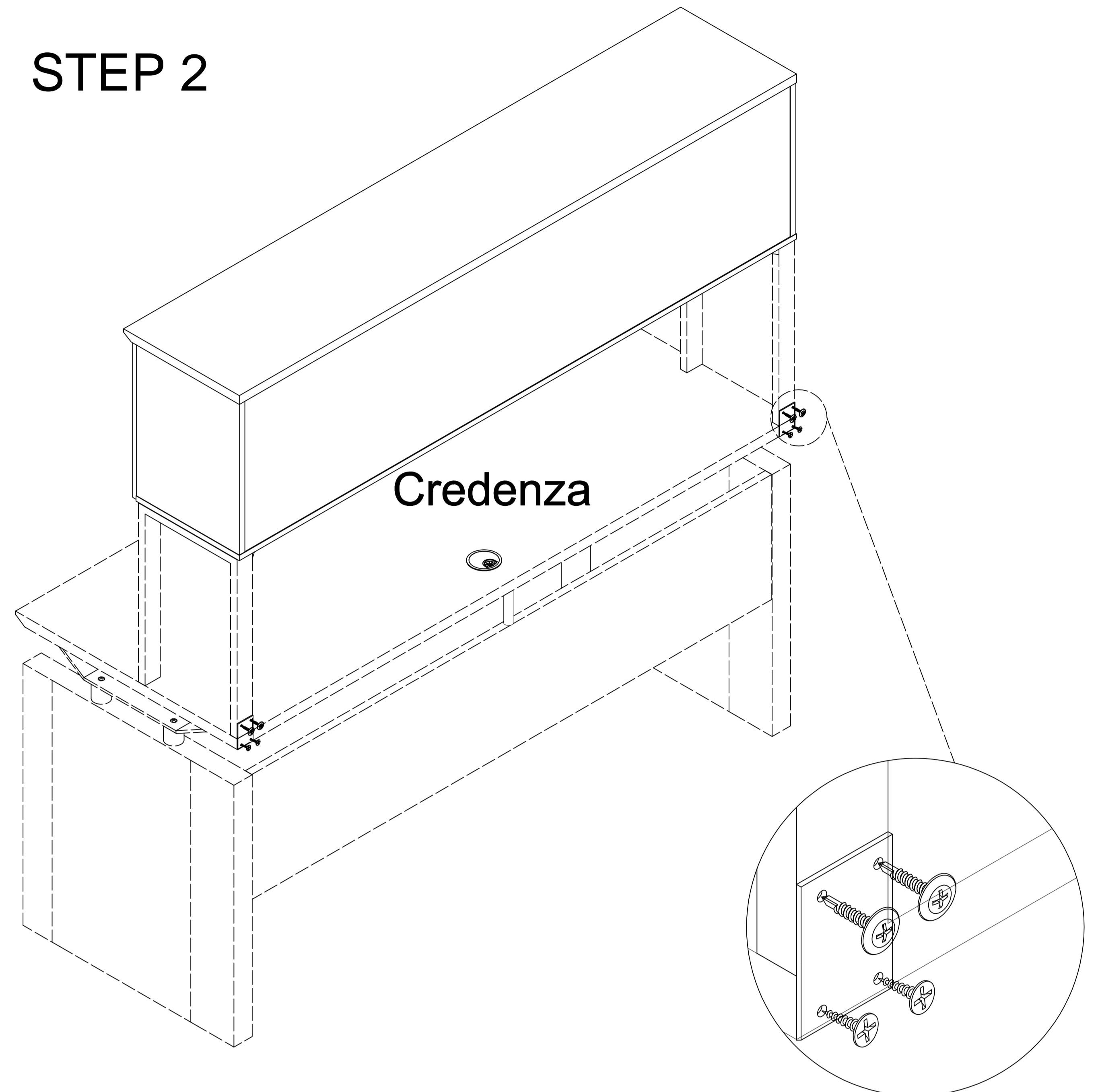
To Hang Cabinet - Position cabinet so that Mounting Board (X) is above Wall Mounting Board (B) and lower cabinet until Mounting Board (X) and Wall Mounting Board (B) lock together.

INSTRUCTIONS - To assemble when putting on Credenza

STEP 1



STEP 2



NOTE:
Hardware is packed with carton ALHB

COMPLETED

