



YEESCOPE

DISPOSABLE

LARYNGOSCOPE

Solmed Pty Ltd

YEESCOPE

The Yeescop is a single use one-piece laryngoscope for use in anaesthesia and resuscitation. It eliminates malfunction due to the handle and blade incompatibility and avoids the laryngoscope becoming a source of cross contamination.

It is available in Macintosh sizes:

3 - Handle Size: 138mm, Blade Size: 139mm
(Suitable for age 6 months to Medium Adult)

4 - Handle Size:140mm, Blade Size: 151mm
(Suitable for Large Adults)

The Yeescop is used in Hospital Operating Rooms, Intensive Care Units, and Emergency Departments and deployed in ward resuscitation trolleys/crash carts. It is particularly suitable for use outside of hospitals in the Military environment, Paramedic Ambulance/Retrieval Services as well as private medical suites and doctors' bags, commercial transports and veterinary surgeries.



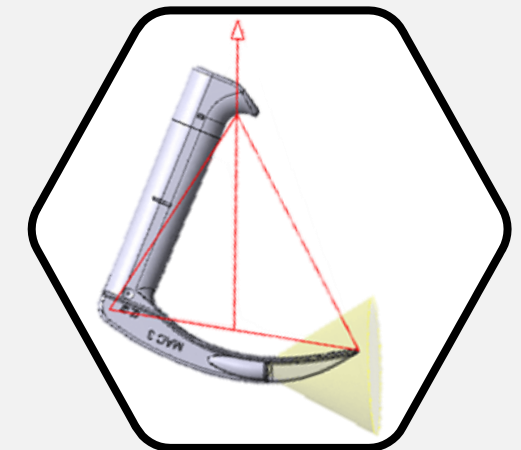
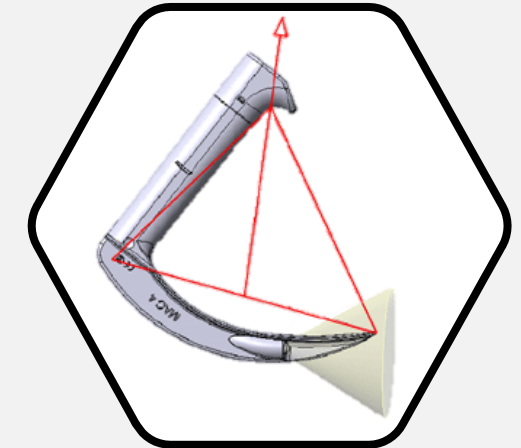
ADVANTAGES OF THE YEESCOPE

- A single patient use one-piece laryngoscope incorporating handle and blade.
- Each new device will have a bright new reliable LED light to display the larynx for accurate placement of the endotracheal tube. A simple on/off light switch is used to control the light.
- The innovative design of the handle improves the ergonomics of the laryngoscopy process. The hook at the end of the handle allows the user to lift the lower jaw with more balance in the load, and minimises the tendency to lever on, and damage the upper front teeth as may occur with the standard laryngoscope.
- The strong lightweight construction with the shorter handle creates a more delicate device which is easy to use on all body shapes, yet gentle on dental structures.
- By changing to a totally disposable system, cost savings will be achieved by reduced inventory costs of multiple handles and blades, and bulbs and light guides



FEATURES & BENEFITS

FEATURES	BENEFITS
<p>A single patient use one-piece laryngoscope incorporating handle and blade.</p>	<ul style="list-style-type: none"> • The potential for cross infection by attaching clean blades to contaminated handles is eliminated. • The risks of laryngoscope malfunction due to brand and system incompatibility, and poor coupling between handle and blade are removed.
<p>Mandatory repeated high temperature sterilisation processes on reusable laryngoscopes have led to reduced reliability and early failure of the illumination system.</p>	<ul style="list-style-type: none"> • Each new device will have a bright new reliable light to display the larynx to facilitate accurate placement of the endotracheal tube.
<p>The laryngoscope light is switched on by removing the 'tab', the light cannot be switched off unless the Tab is re-inserted back into the device to separate the Batteries.</p>	<ul style="list-style-type: none"> • This feature reinforces the single-use design to prevent cross infection.
<p>The innovative new handle design is shorter, slimmer, and incorporates a proximal hook.</p>	<ul style="list-style-type: none"> • The unique design of the handle improves the ergonomics of the laryngoscopy process. The hook at the end of the handle allows the user to lift the lower jaw with more balance in the load, and minimises the tendency to lever on, and damage the upper front teeth as may occur with the standard laryngoscope.
<p>Moulded out of medical grade ABS plastic.</p>	<ul style="list-style-type: none"> • The strong light-weight construction with the shorter handle creates a more delicate and less cumbersome instrument which is easy to use on all body shapes, and gentler on dental structures.
<p>By changing to a totally disposable system, cost savings will be achieved by reduced inventory costs of multiple handles and blades, and bulbs and light guides.</p>	<ul style="list-style-type: none"> • Replacement, maintenance and re-sterilisation costs will be eliminated. • The unsavoury use of contaminated laryngoscopes will be avoided, and the laryngoscope will be eliminated as a vector for cross infection – a potential cost saving that is immeasurable.



DEVELOPMENT OF THE YEESCOPE

Yeescop[®] is the result of two innovative minds and leaders coming from complementary fields.

- Dr. Kevin Yee is a graduate of the University of New South Wales and Fellow of the Australian and New Zealand College of Anaesthetists. He has had extensive experience in clinical anaesthesia including dental, oral and maxillo-facial anaesthesia and management of the difficult airway. He was awarded Consultant Emeritus at Westmead Hospital, Sydney in 2008.
- Mr. Mark Bennett is a fully qualified Toolmaker who is Managing Director of Bennett Precision Tooling Pty Limited. His Company specializes in the design and manufacture of precision moulds for medical device manufacturers. In recognition of his knowledge and experience in manufacturing, he has been asked to serve on the governing council of the Tooling Industry Forum of Australia.



Dr Kevin Yee
Demonstrating The
Yeescop To The
Military At ANZCA
Conference With Paul
Coffey (CEO Of
Solmed)



SOLMED PTYLTD



• 02-47210371



• sales@solmed.com.au



• www.solmed.com.au