

RM13-FLIP



VESA® Pattern
400 x 400mm



Max Load
90lb (41kg)

Rotational Wall Mount

FOR THE 55" (WM55H, WM55R) AND 65" (WM65R*) **SAMSUNG FLIP**

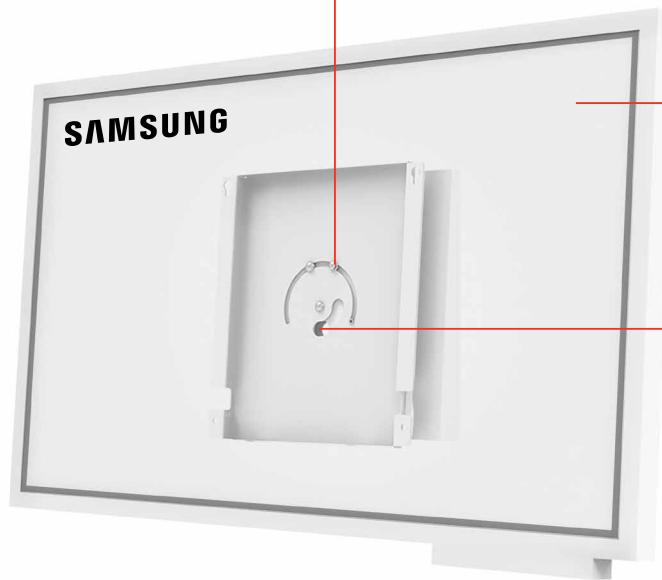
Peerless-AV's Rotational Wall Mount has been designed to support the features and functionality of the 55" and 65" Samsung Flip displays. The mount's rotational interface allows the user to easily rotate the display 90° from landscape to portrait, and holds the display at a negative 4.5° to further promote ergonomics with a more natural angled writing surface. The unique cable management system allows cables to be routed through the interface, which keeps the cabling safe and abrasion free when rotating the display. With a robust feature set featured on safety and durability, the Rotational Wall Mount is ideal for collaboration spaces in corporate or education settings.

- Rotational interface smoothly rotates the display from landscape to portrait, while providing the stability required for a touch display
- Gloss white, powder coat finish closely matches the Samsung Flip finish
- 400 x 400 VESA® and custom length M8 hardware provide the proper mounting for the Samsung Flip
- Custom fit covers provide a finished look to the sides of the mount
- Rotational interface holds the display at a negative 4.5° to further promote ergonomics and a more natural writing surface
- The RM13-FLIP wall plate securely fastens the display to 16" stud centers



■ PORTRAIT/LANDSCAPE

Allows the display to be easily rotated from landscape to portrait orientation without any tools



■ ERGONOMIC

The 4.5° negative tilt provides an ergonomic platform for a more natural writing surface

■ CABLE MANAGEMENT ACCESS

Provides routing options on both sides of the mount for power and data



ACC-FLIP65 required for mounting the 65" Samsung Flip.

*ACC-FLIP65 Accessory Mounting Kit required for the WM65R only.



RoHS

✉ info@peerless-av.com

🌐 peerless-av.com

peerless-AV®
Driving Technology Through Innovation

RMI3-FLIP	Rotational Wall Mount for the 55" (WM55H, WM55R) and 65" (WM65R*) Samsung Flip
------------------	--

Product Specifications

*ACC-FLIP65 Accessory Mounting Kit required for the WM65R only.

	DIMENSIONS (W x H x D)	PRODUCT WEIGHT	LOAD CAPACITY	FINISH	AVAILABLE COLORS
RMI3-FLIP	21.69" x 18.49" x 3.43" (551 x 470 x 87mm)	22.8lb (10.3kg)	90lb (41kg)	Powder Coat	Gloss White

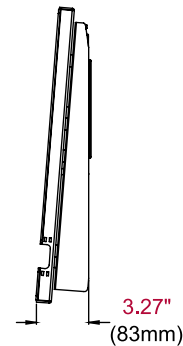
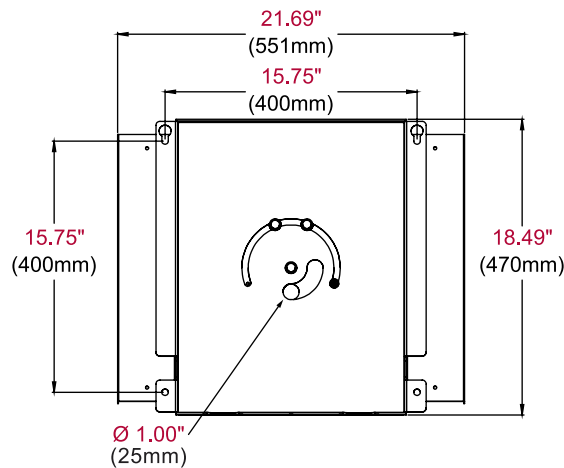
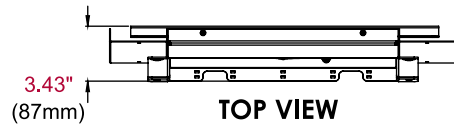
Package Specifications

	PACKAGE SIZE (W x H x D)	PACKAGE SHIP WEIGHT	PACKAGE UPC CODE	PACKAGE CONTENTS	UNITS IN PACKAGE
RMI3-FLIP	26.13" x 20.25" x 4.75" (664 x 514 x 121mm)	26.8lb (12.2kg)	735029324669	(1) Rotational Wall Mount, Mounting Hardware & Custom M8 Screws	1

Accessories

ACC-FLIP65: Accessory Mounting Kit for the 65" Samsung Flip

All dimensions = inch (mm)



Architect Specifications

The Rotational Wall Mount shall be a Peerless-AV® model RMI3-FLIP and shall be located where indicated on the plans. Assembly and installation shall be done according to instructions provided by the manufacturer.

Visit peerless-av.com to see the complete line of AV solutions from Peerless-AV, including outdoor displays, wireless, kiosks, digital audio, display mounts, projector mounts, carts/stands, and a full assortment of accessories.

Peerless-AV
2300 White Oak Circle
Aurora, IL 60502 USA
(800) 865-2112
(630) 375-5100
Fax: (800) 359-6500

Peerless-AV EMEA
Unit 3 Watford Interchange
Colonial Way, Watford
Herts, WD24 4WP
United Kingdom
+44 (0) 1923 200100
Fax: +44 (0) 1923 200101

Peerless-AV Latin America
Av. de las Industrias 413
Parque Industrial Escobedo
General Escobedo, N.L.,
México, 66062
+52 (81) 8384-8300
Fax: +52 (81) 8384-8360

