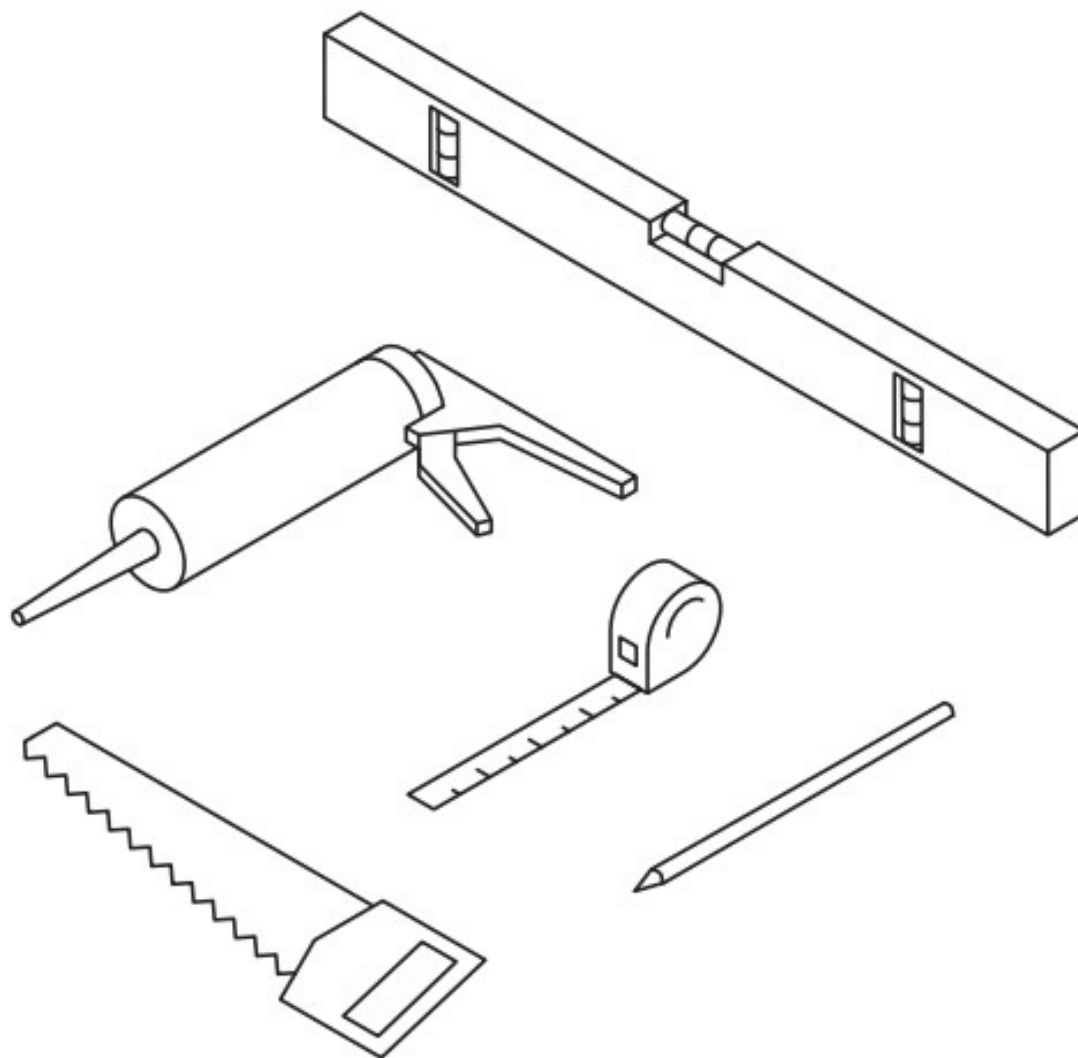




[www.3dwallpanels.co.uk](http://www.3dwallpanels.co.uk)  
[sales@3dwallpanels.co.uk](mailto:sales@3dwallpanels.co.uk)  
Contact Phil 07789861315

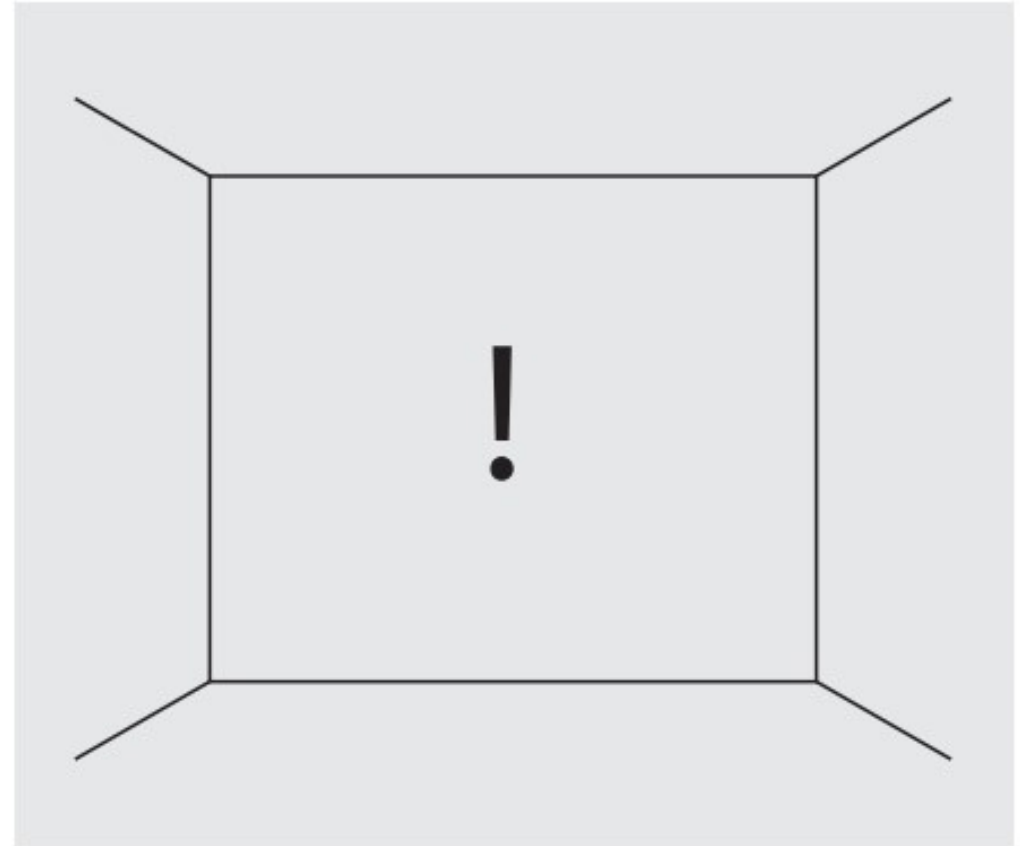
## **Tools needed**





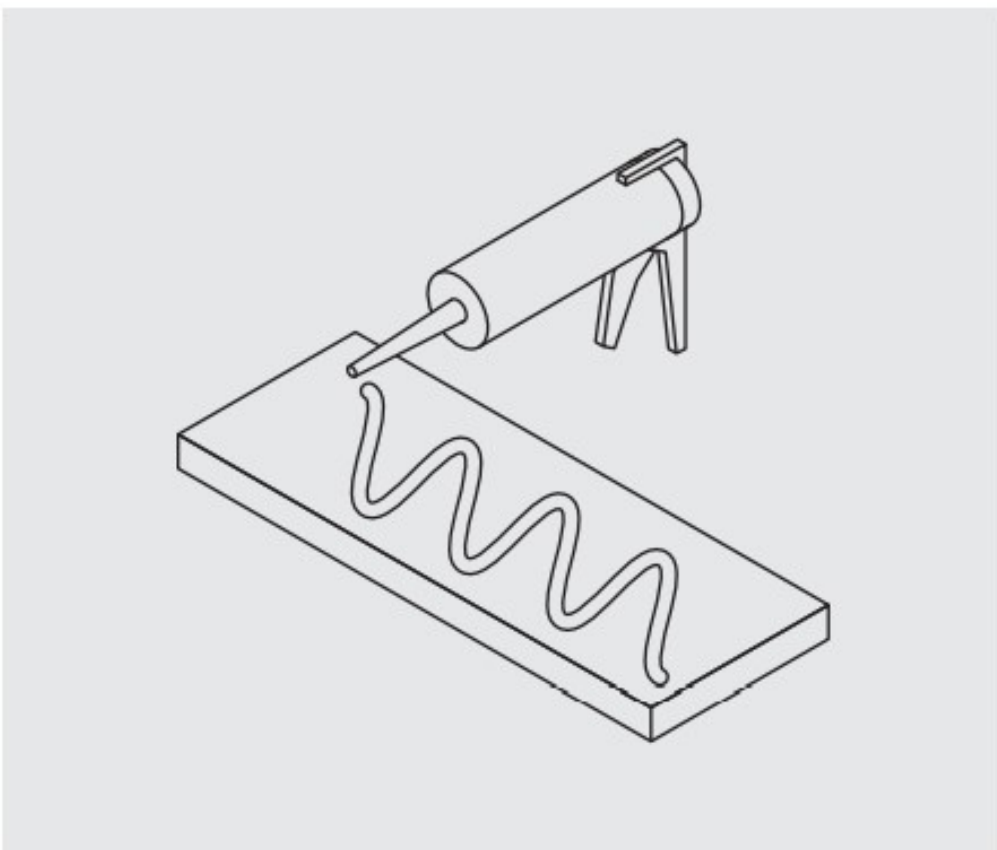
## Before assembling the panels

We recommend acclimatizing wood panels to the new environment for 1-2 days, keeping them unpacked. This will ensure that the panels get used to the climate of the new room.



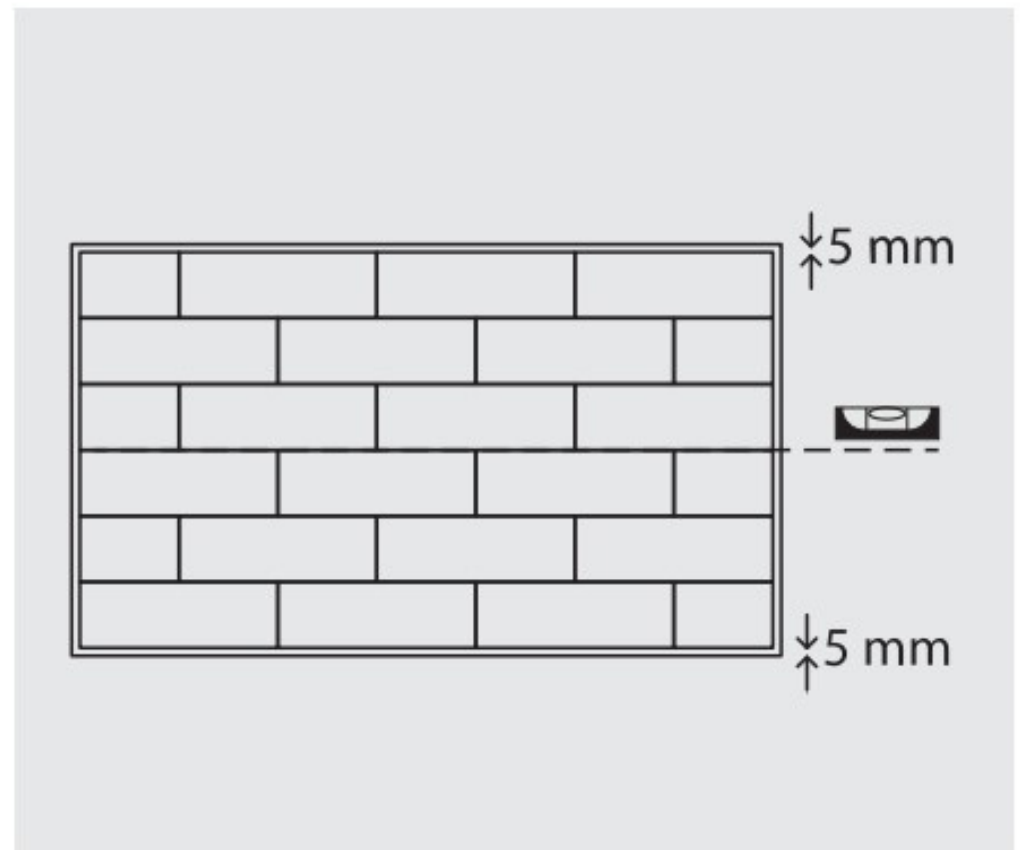
## Wall preparation

Make sure that the surface on which you will install the panels is relatively flat. The surface must also be clean, dry and free of dust.



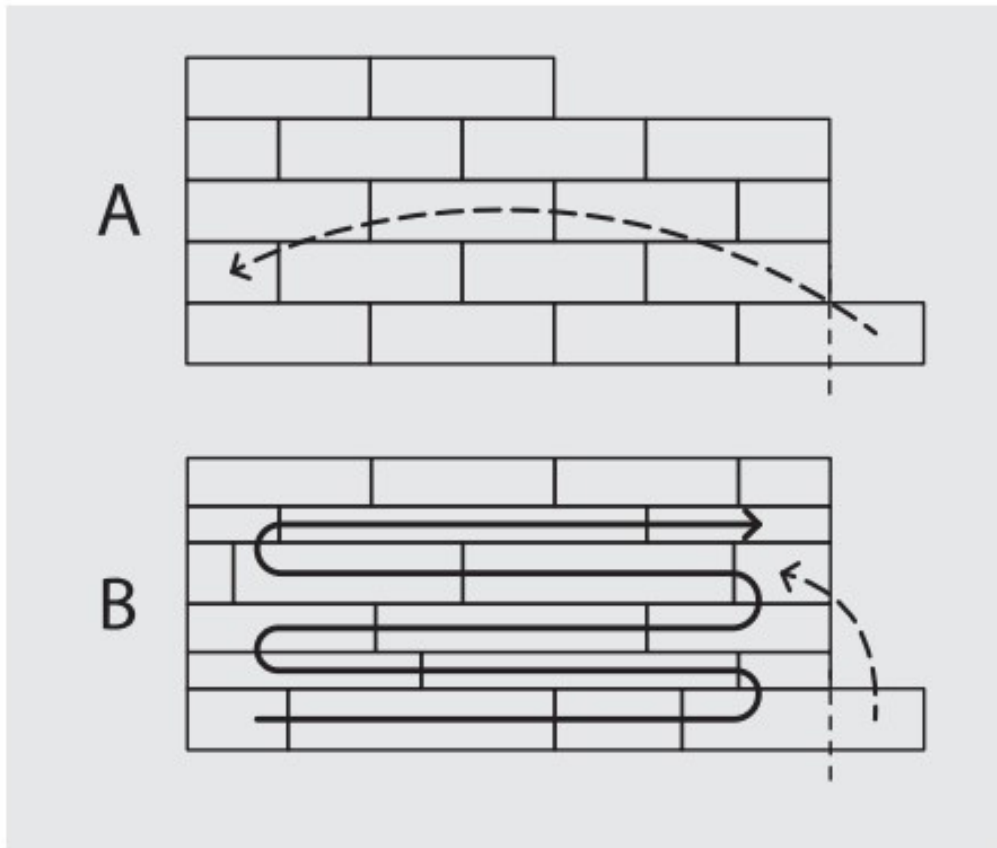
## Fixing the panels to the wall

We recommend using mounting glue to glue the panels to the surfaces. When choosing an adhesive, follow the adhesive manufacturer's instructions about the surface onto which you plan to glue the panels, as well as the required amount of adhesive. Apply the glue as instructed.



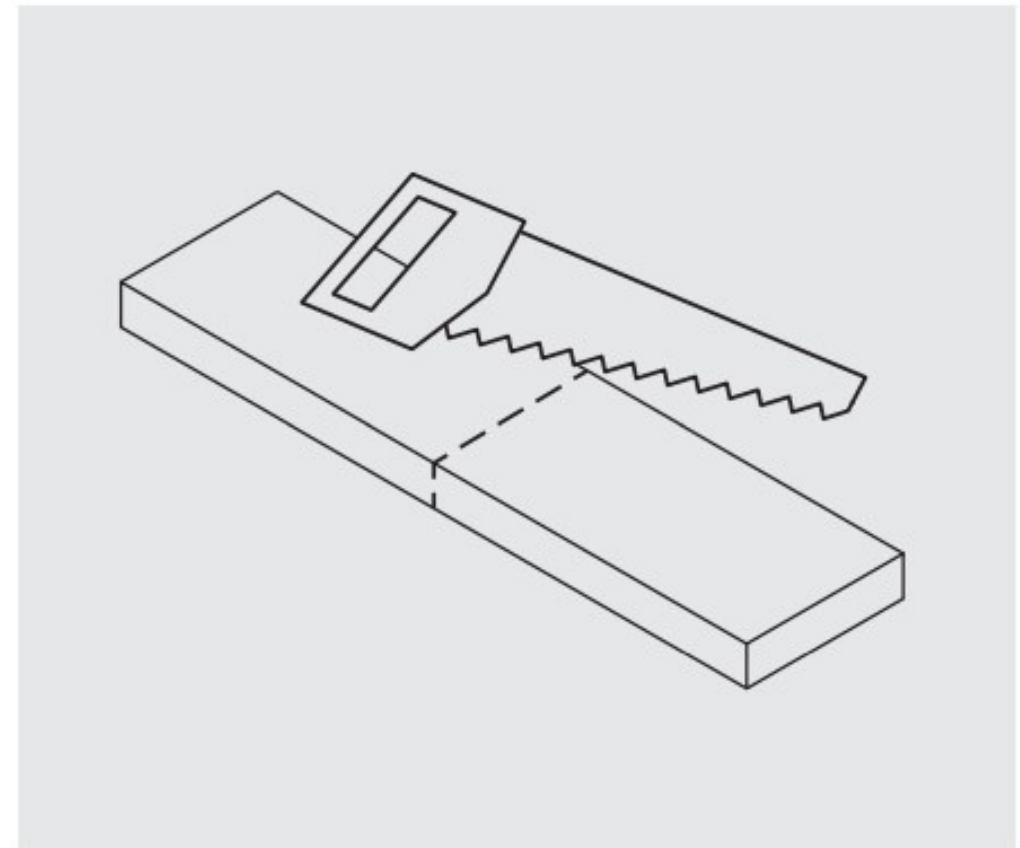
## What to consider when assembling the panels

Start assembling the panels from the bottom up, leaving 5 mm gaps between the floor and walls. Use a spirit level for the job. Finish laying the panels with a gap of 5mm from the ceiling.



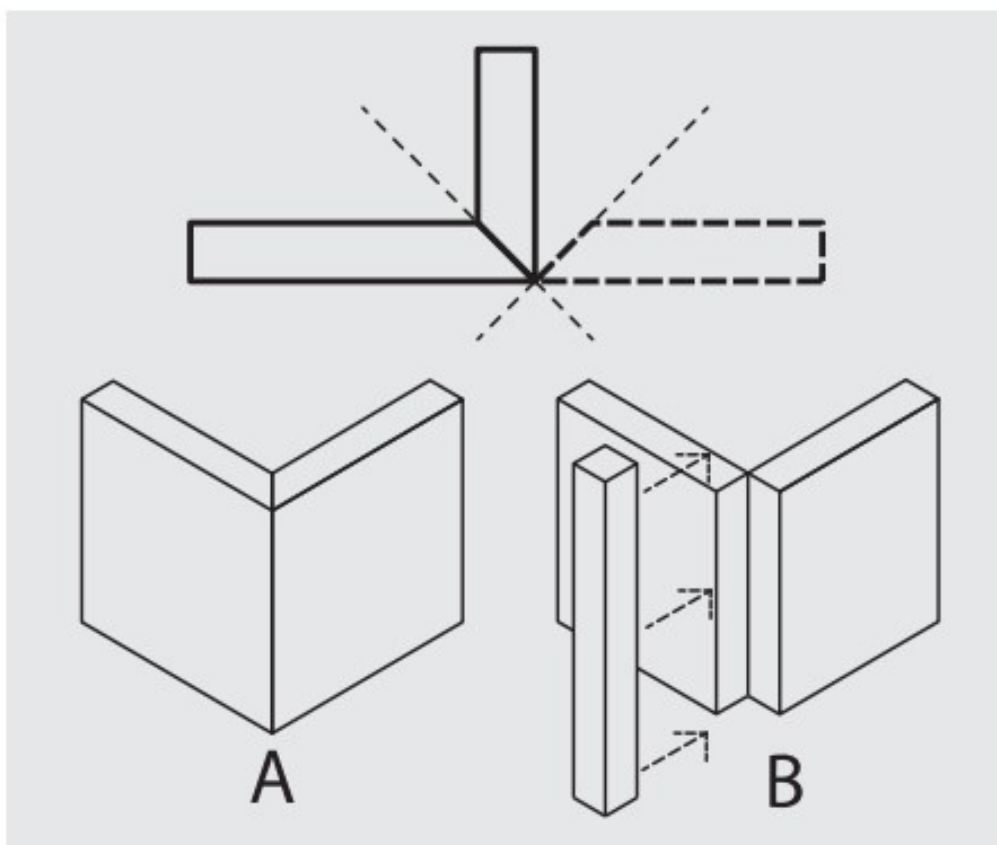
## Laying of panels

You can arrange the panels on the wall in your own unique pattern (horizontally, vertically, diagonally, or in any pattern of your choice) or as shown in the diagram. If the panels are of the same width (pic. A). If the panels are of different widths (pic. B). When starting a new row, we recommend using the previous (same width) row cuttings.



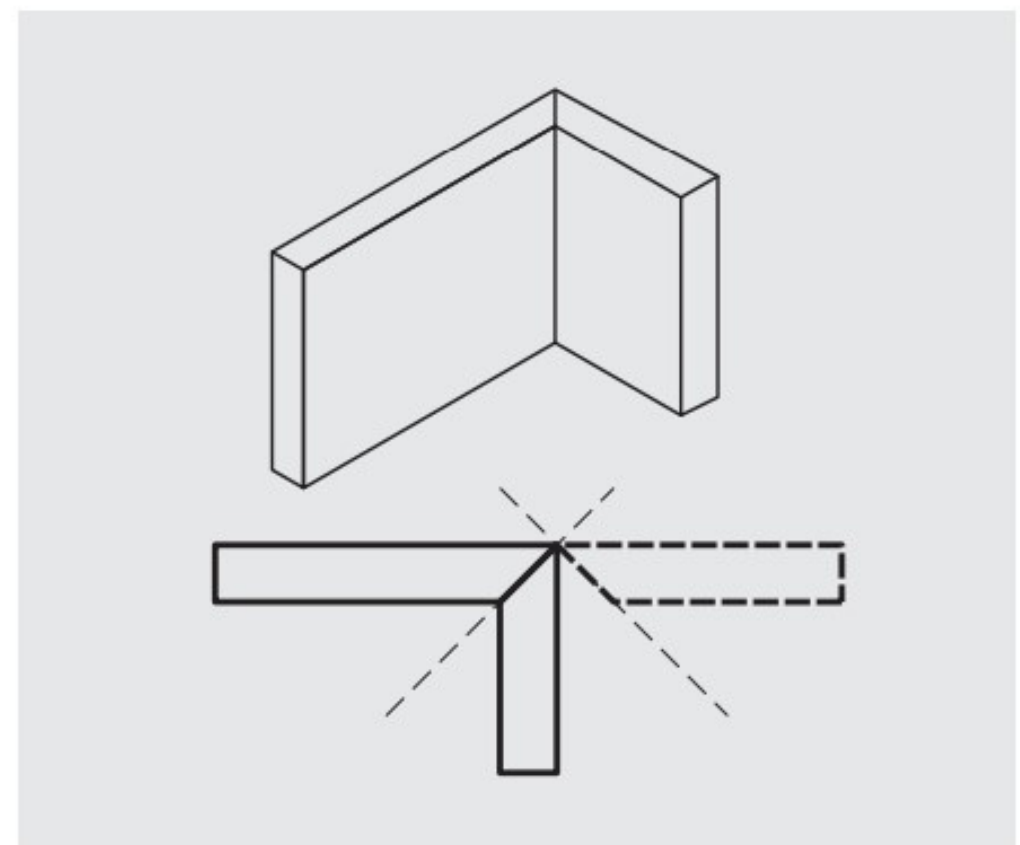
## Sawing of panels

Wall panels can be sawn in several ways. Make markings on the panel to know where to saw. Saw the panel with a hand saw, circular saw, or jigsaw. Before sawing, read the operating instructions for the saw of choice.



## Outer corner

Outer angle could be made by applying panel in 45-degree angle (pic. A) or by using decorative moldings. (pic. B).



## The inner corner

The inner corner is created by sawing the panel at a 45 degree angle.