

**paneldeko**

**ASSEMBLY  
AND APPLICATION  
GUIDELINE**

820 INTONACO FERRO - SCANDICCI



## PANELDEKO PANEL ASSEMBLY & APPLICATION GUIDELINE



With its different models and designs, PANELDEKO is bringing an utterly different breath of fresh air to your life and to your living spaces with various unique models.

Paneldeko Decorative Panel Systems which are made of polyester, fiberglass and natural stone powders by using the latest production techniques in the world, enable us to bring all the beauty and perfection offered by nature to your living spaces.

### PROPERTIES OF PANELDEKO PRODUCTS

Inspired by the stones, bricks, wood textures, tiles and other creative patterns; Paneldeko panels are created by unique manufacturing methods.

- Panel dimensions are approximately 130\*330cm/130\*260cm (+-/10 cm) depending on the model and pattern integrity.
- The thicknesses of the panels vary in the range of 8-25 mm depending on the model.
- The weights of the panels vary in the range of 7-10 kg/m<sup>2</sup> depending on the model.
- Paneldeko panels are manufactured to maintain their appearance for many years thanks to selection of high-quality raw materials used.
- Paneldeko panels' back faces are covered with Kraft paper after quality controls are performed and they are delivered to customers after labelling.
- Panels can be cut in desired lengths and shapes via an angle grinder.
- Regardless of the panel model and design, each panel has the feature of being waterproof in terms of rain, snow or moisture.
- Panels are resistant to impacts thanks to their high strength and resilience.
- Paneldeko panels can be used in both indoor and outdoor applications.
- Paneldeko panels can be applied to ceilings and arches.
- Paneldeko panels do not contain any carcinogens or any other harmful materials to health.
- Paneldeko panels are environmentally friendly.

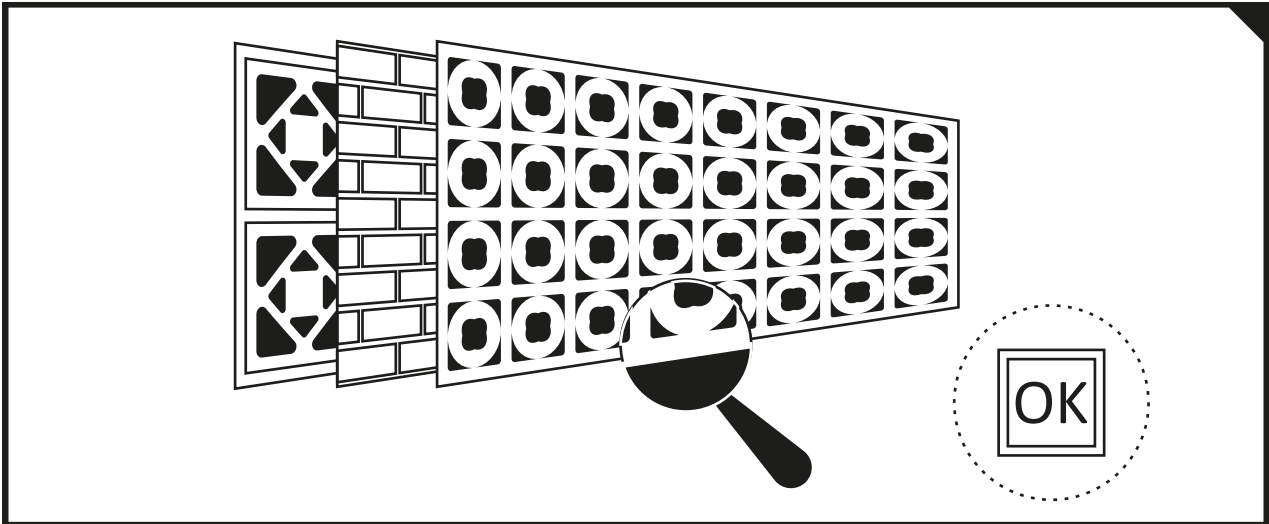
---

#### WARNING

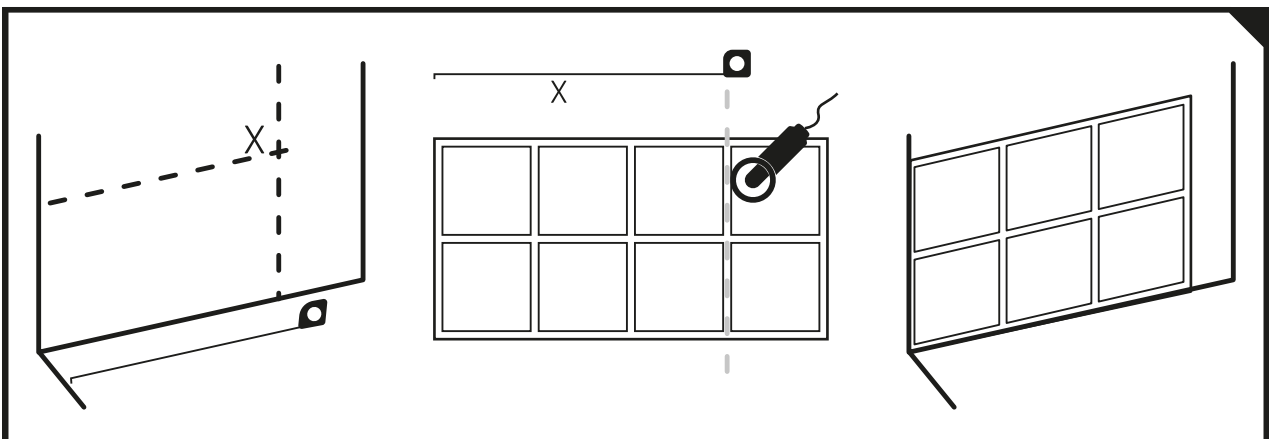
Paneldeko panels are for decorative purposes, they do not have any structural load carrying or insulation properties.

---

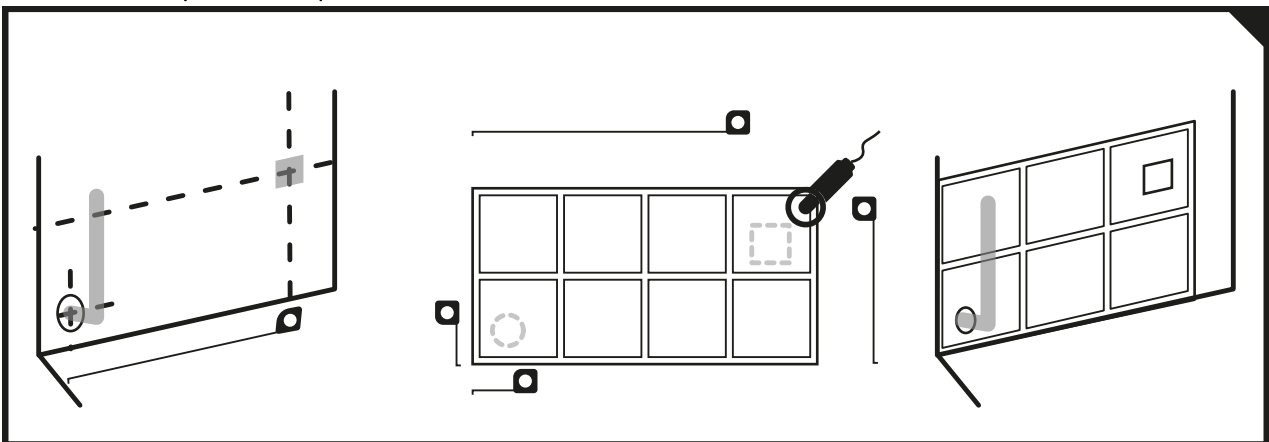
## 1. ASSEMBLY INSTRUCTIONS



1. Paneldeko products are manufactured within the dimensions determined according to their models. After the quality control is performed, a QC label is attached to the product indicating that the panel is high quality. Then, it is packaged and delivered as ready for installation.

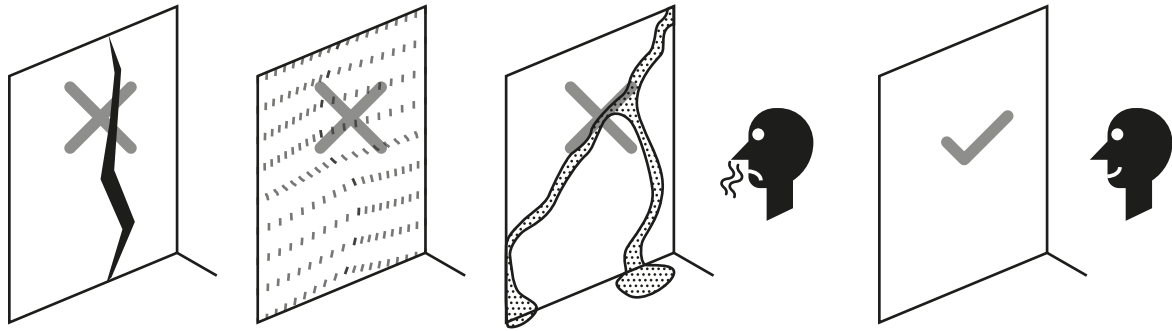


2. Panels can be cut with the help of an angle grinder according to the shape and dimensions of the surfaces to be applied, paying attention to the pattern continuity of the specific model.



3. If there are some elements on the wall like plug sockets, cables, valves or other features; these should be marked, and appropriate holes should be created on the panels before installation again with an angle grinder or a hand saw.

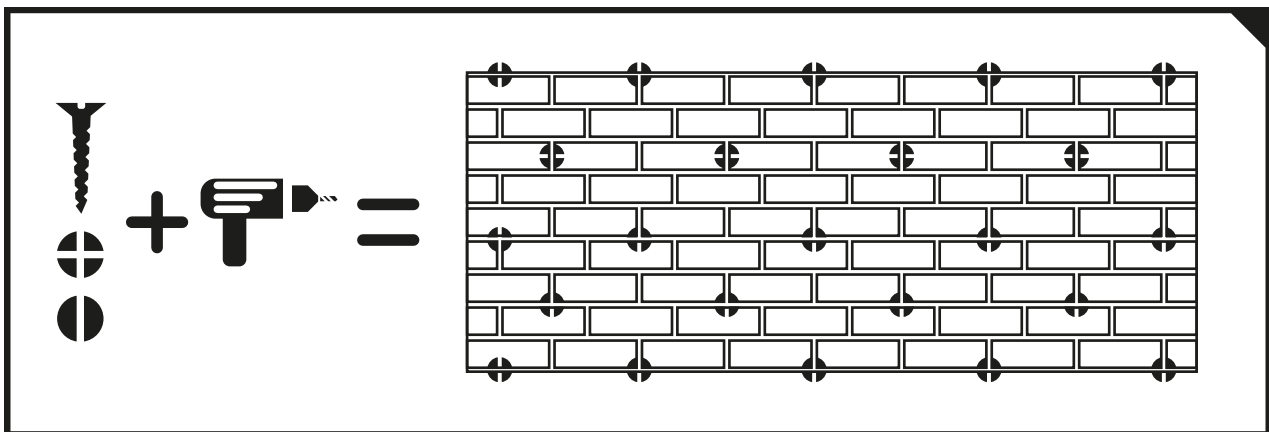
## 1. ASSEMBLY INSTRUCTIONS



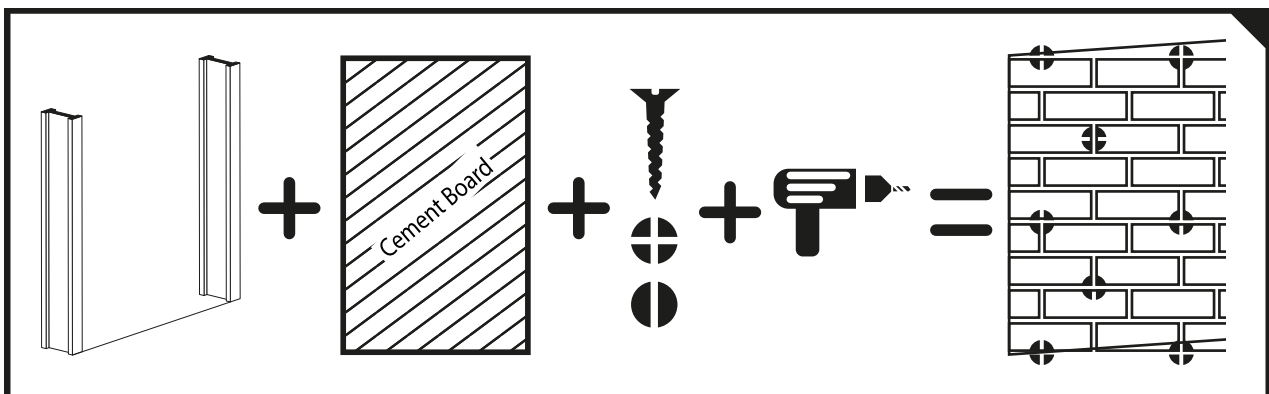
4. If there is no dirt, rust, moisture, swelling etc. on the application surface that may prevent the assembly; the installation process can be started.

Moisture and swellings are indication of a water-based problem on the surface; just cleaning the surface does not eliminate the root cause of the problem. There is the possibility of repetition of the problem. It should be stated to customers that this situation can cause unpleasant odors.

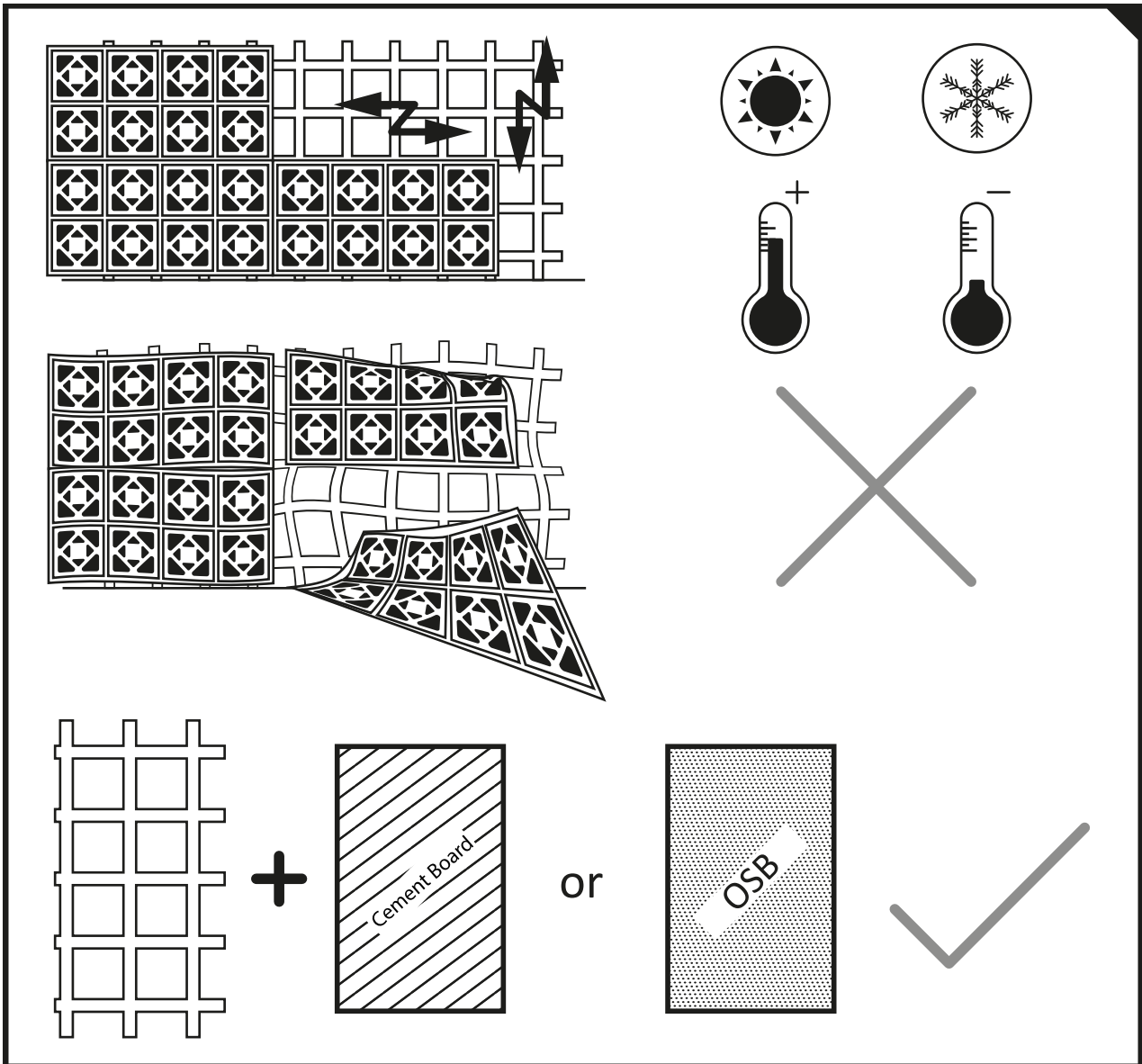
Our company does not accept legal responsibility in this case.



5. There is no need for applying any adhesives to back of the panels. Panels are mounted to the surface with suitable screws (sheet panel or wood panel screws can be used) depending on the surface. An electrical screwdriver can be used. The panel should not sag during the installation. It should be screwed from suitable places depending on the model (Each panel should be mounted with at least 25 screws for both indoors and outdoors applications).



6. The surfaces onto which panels cannot be screwed, such as steel construction frames; must be covered with another medium such as MDF, OSB, plywood board or cement board first; then installation should be carried out and Paneldeko panels should be screwed.



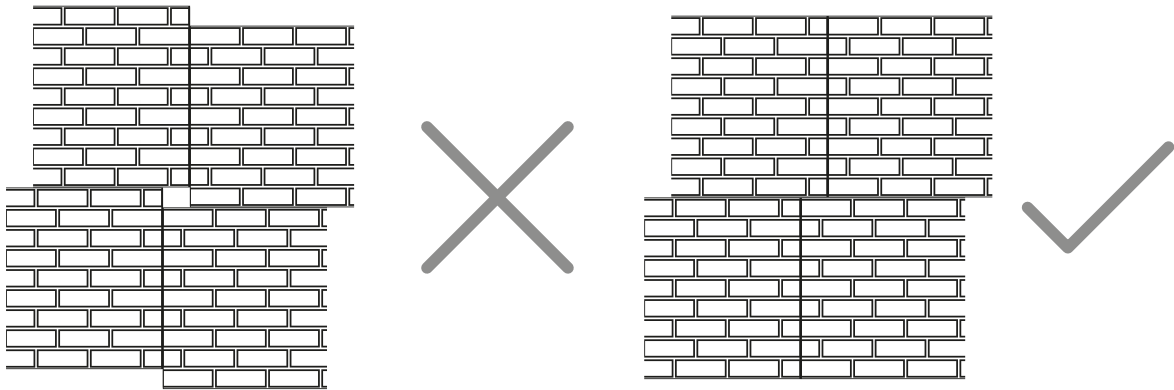
## WARNING-INSTALLATION OF PANELS ON A STEEL CARCASS FRAME

Panels must not be mounted to steel structures (both welded and bolted-on) directly. Due to thermal expansion and contraction of the steel frames due to different temperatures, coherence of the panels can be spoiled. Another medium such as MDF, OSB, plywood board or cement board must be attached to steel structures first, then Paneldeko panels should be screwed onto this medium. Movement of the steel frames due to expansion and contraction;

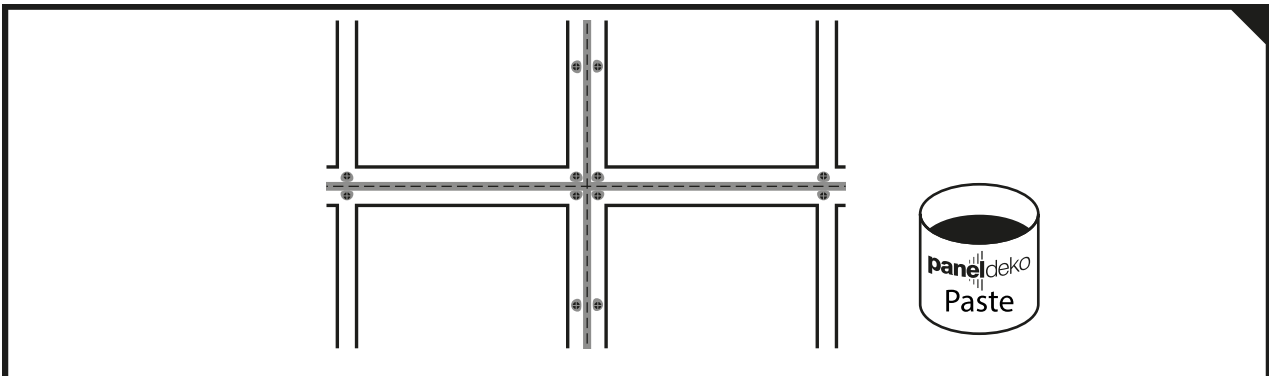
- Can cause movement of the panels and cracking of the joining places,
- Can cause accidents in a way that it will cause falling and sagging of the panels as a result of breaking or falling mounting screws.

For such applications, customers should be warned during the quotation phase and necessary measures should be taken.

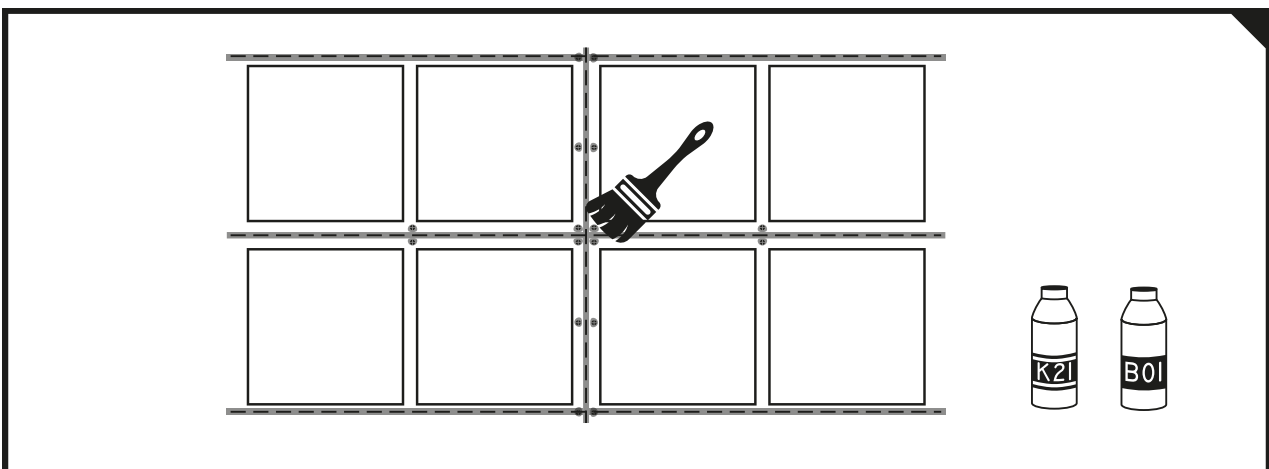
## 1. ASSEMBLY INSTRUCTIONS



7. Panels should always be installed side-by-side in a way keeping the adjacent patterns and textures matching with each other. Patterns should be symmetrical and should have integrity. This pattern integrity should be considered before cutting the panels at the joints or at the corners. After that, cutting should be started. Gaps of approximately 1 cm dimension, should be left between joining panels in order to be filled with mastic paste.

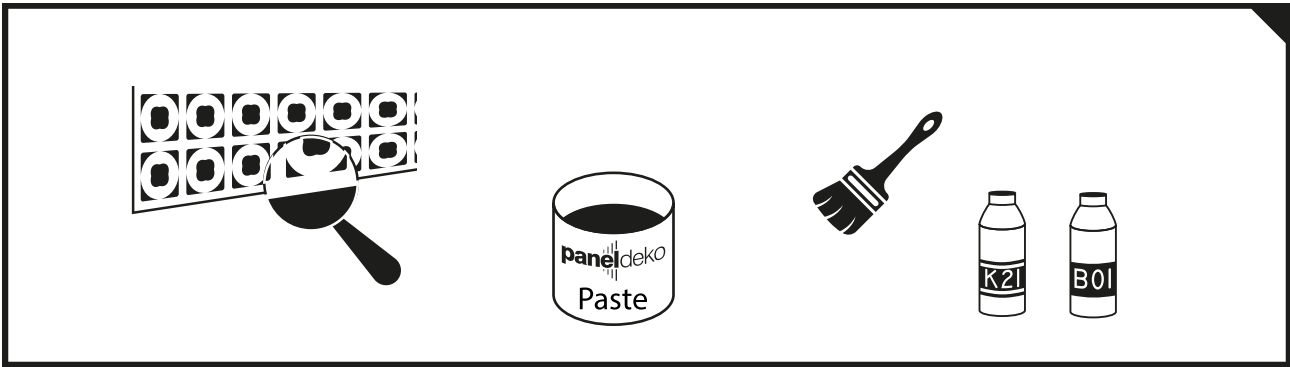


8. After the installation is completed, the gaps at the panel joints are completely filled with the assembly paste provided by our company. After that, the visible parts of the applied screws (screw heads) are covered with the same paste.

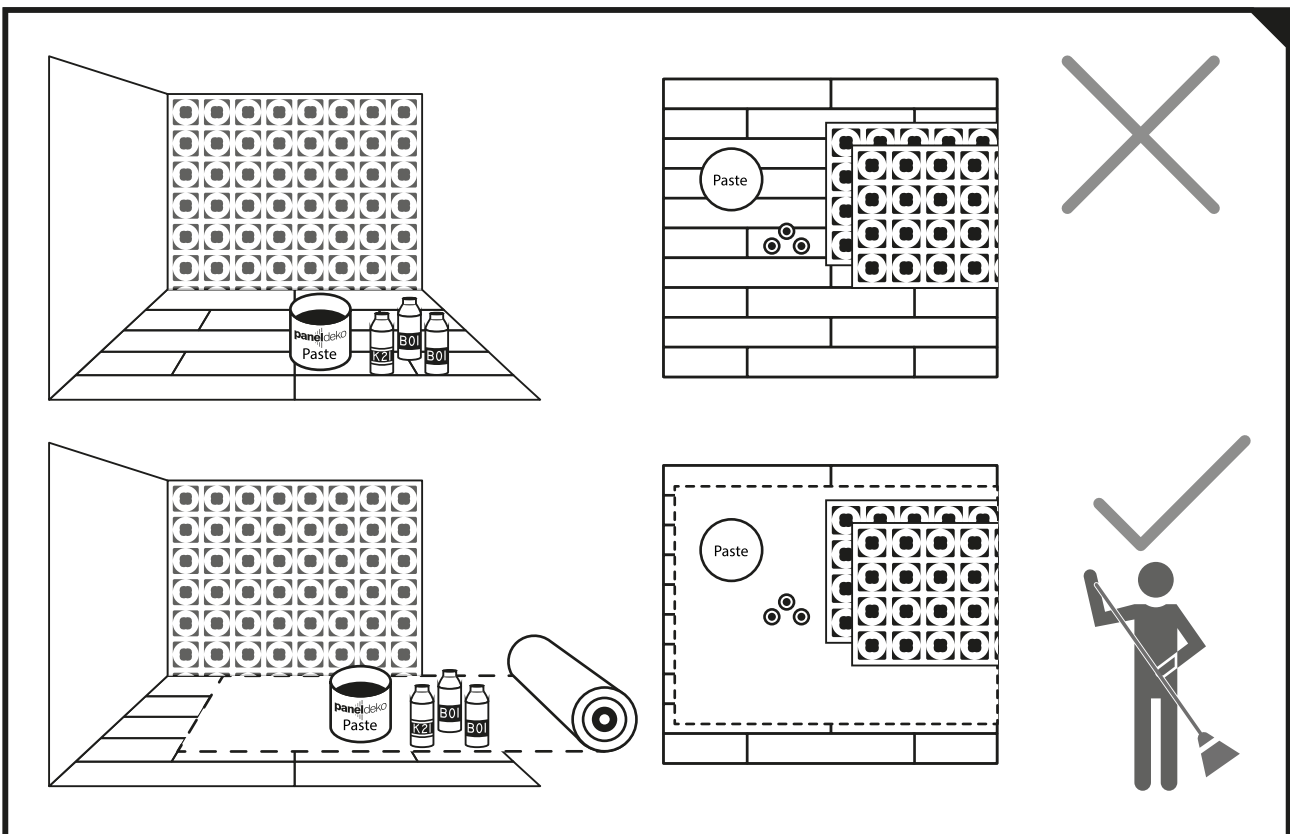


9. Then these pasted areas are painted with retouch paint kits provided by our company. Touch-up painting is performed in accordance with the panel colors. For panels with some effects on them, painting should be done in accordance with the effects of that model.

## 1. ASSEMBLY INSTRUCTIONS



10. If additional corrections are required after the installation, pasting and touch-up processes are finished; the job is completed by again using Paneldeko assembly paste and touch-up paint kits as necessary.



After the installation is complete, application area should be cleaned and delivered to customer.

After the completion of the panel installation, possible odors can be prevented by ventilating the installation area for a few days in hot weather and up to one week in cold weather.



## THINGS TO PAY ATTENTION DURING PANEL ASEMBLY

### ***THINGS TO PAY ATTENTION IN WET AREA APPLICATIONS:***

Especially in kitchen and bathroom applications, locations of water pipes and drains should be identified before starting the application. Otherwise, the screwing process can damage the pipes and can cause flooding which will be very difficult to compensate.

### ***THINGS TO PAY ATTENTION IN BASEMENT FLOOR APPLICATIONS***

While panel application is performed in the basement floors of the buildings, if the installation surface is a wet wall; it is definitely not applicable by Paneldeko panels. The moisture problem should be reported to customer and a solution to this problem should be requested. In applications which are carried out on the wet or humid surfaces, installation screws fall off and pasted joints of the panels start cracking.

### ***THINGS TO PAY ATTENTION IN ALL KINDS OF SURFACE APPLICATIONS:***


Locations of the systems such as power lines, fire extinguishing and camera systems on the vertical surfaces and ceilings should be identified before starting the application. If necessary, panel and pattern planning should be done again in order to prevent these systems from being damaged by screwing operations.

---

The surfaces on which Paneldeko decorative panels can be installed are as follows:

---

THERMAL INSULATION PLASTER  
CONVERSION PRIMER  
PLASTER MESH  
COARSE GROUT  
DRYWALL  
CEMENT BOARD  
OSB  
XPS INSULATION  
EPS INSULATION



The surfaces on which Paneldeko decorative panels cannot be installed are as follows:

---

METAL SURFACES  
STEEL CONSTRUCTION FRAMES  
WOODEN CARCASSES



• Where screwing is not possible, Paneldeko panels can be installed by firstly creating a surface with cement board. Since wooden carcasses can be affected by water, the customer should be informed, and it should be explained that this process will not be healthy in the long term.

• Panels must not be mounted to steel structures directly. Due to thermal expansion and contraction of the steel frames due to different temperatures, coherence of the panels can be spoiled. Movement of the steel frames due to expansion and contraction can cause movement of the panels, cracking of the joining places and falling of the mounting screws. Another medium such as MDF, OSB, plywood board or cement board must be attached to steel structures first, then Paneldeko panels should be screwed onto this medium.

If the customer has these type of surfaces, he/she should be warned, and installation should be continued upon acceptance of the consequences.

