



FITTING INSTRUCTIONS FOR SS0041 SPINDLE-SLIDERS
KTM 1290 SUPER DUKE 2014



PICTURE 'A'



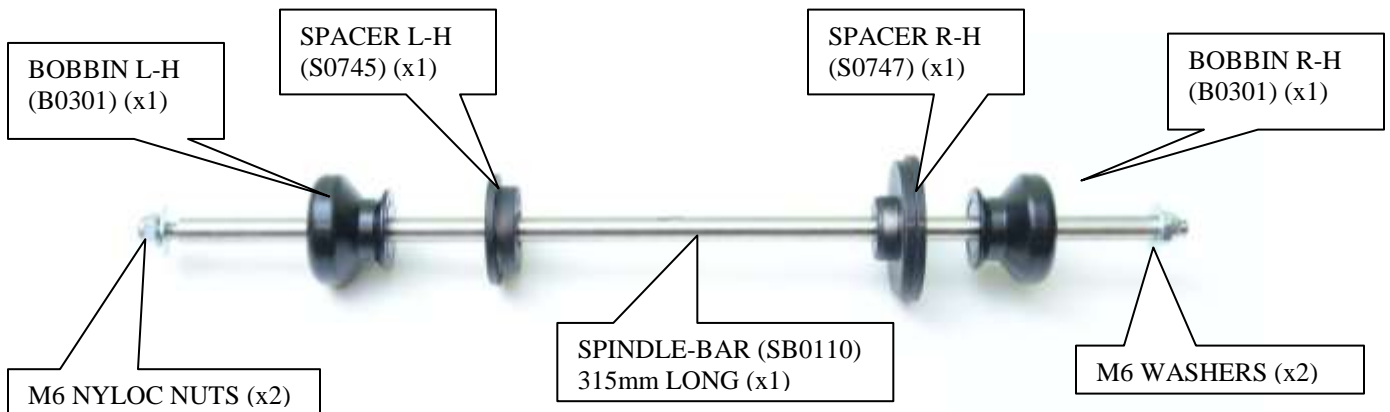
PICTURE 'B'

THIS KIT CONTAINS THE ITEMS PICTURED AND LABELLED BELOW.
DO NOT PROCEED UNTIL YOU ARE SURE ALL PARTS ARE PRESENT.

Please note that the way the kit is packed does not necessarily represent the way of mounting to the bike

Please note that in cases where kits are packed with rubber washers holding the components onto the bolt – *the rubber washers should be thrown away!*

THE PARTS SHOWN MAY BE REPRESENTATIVE ONLY (FOR CLARITY OF INSTRUCTIONS ONLY)





TOOLS REQUIRED

- Socket set to include 2x 10mm sockets and wrenches
- Fit one nut and washer on spindle-bar (S0110) (the end with shorter thread) and engage the nut so the plastic insert of nut is fully engaged.
- Feed spindle-bar with nut and washer through either paddock stand bobbin (B0301 fitted with 1x CS324).
- Place the larger spacer (S0747) over the exposed end of the spindle and up to the paddock stand bobbin as shown in picture.
- Feed this assembly through the rear wheel spindle from the right hand side of the motorcycle, ensuring the spacer locates into the spindle.
- Place the remaining spacer (S0745) over the exposed end of the spindle bar and into the left hand side of the motorcycle, ensuring the spacer locates into the spindle.
- Place the remaining paddock stand bobbin over the exposed end of the spindle bar.
- Fit washer and nut from the kit onto the thread and tighten until both nuts are engaged in nylon and equal amounts protrude from either side. Do not overtighten – the nyloc nuts will hold it tight.

Issue 1 (NSY) 24/01/2014

CONSUMER NOTICE

The catalogue description and any exhibition of samples are only broad indications of the Products and R&G may make design changes which do not diminish their performance or visual appeal and supplying them in such state shall conform to the order. The Buyer acknowledges no representation or warranty (other than as to title) has been given or will apply to the Products other than those in R&G's order or confirmation and the Buyer confirms it has chosen the Products as being of merchantable quality and suitable for its particular purposes. Where R&G fits the Products or undertakes other services it shall exercise reasonable skill and care and rectify any fault free of charge unless the workmanship has been disturbed. The Buyer is responsible for ensuring that the warranty on the motorcycle is not affected by the fitting of the Products. On return of any defective Products R&G shall at its option either supply a replacement or refund the purchase money but shall not be liable if the Products have been modified or used or maintained otherwise than in accordance with R&G's or manufacturer's instructions and good engineering practice or if the defect arises from accident or neglect. Other than identified above and subject to R&G not limiting its liability for causing death and personal injury, it shall not be liable for indirect or consequential loss and otherwise its liability shall be limited to the amounts paid by the Buyer for the Products or the fitting or service concerned. These terms do not affect the Buyer's statutory rights.

R&G RACING RETURNS POLICY (NON-FAULTY GOODS)

Returns must be pre-authorized (if not pre-authorized the return will be rejected). Goods may only be returned direct to us if they were purchased direct from us (customer must prove if necessary). Otherwise to be returned to original vendor. Goods must be in re-sellable condition, in the opinion of R&G Racing. All returns are subject to a 25% restocking and handling fee (25% of the gross value exc. P&P – at the prevailing price at time of purchase). The customer must pay any and all carriage charges. No returns of discontinued products, unless within 14 days of purchase. This policy does not affect your statutory rights and does not refer to faulty goods.

R&G Racing

Unit 1, Shelley's Lane, East Worldham, Alton, Hampshire, GU34 3AQ

Tel: +44 (0)1420 89007 Fax: +44 (0)1420 87301 www.rg-racing.com Email: info@rg-racing.com



INSTRUCTIONS DE MONTAGE POUR SS0041 Sliders d'axe
KTM 1290 SUPER DUKE 2014



PHOTO 'A'



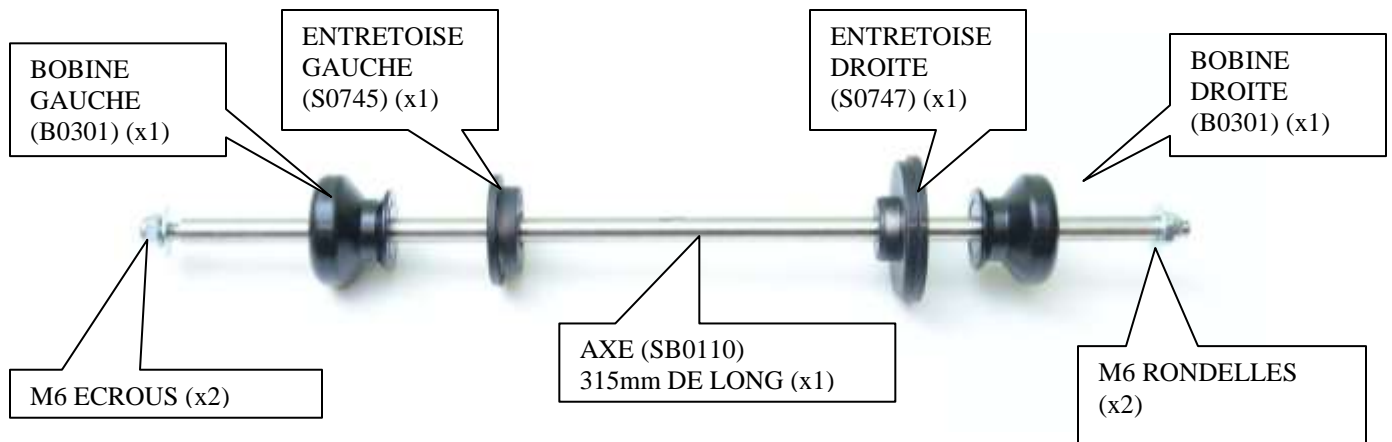
PHOTO 'B'

LE KIT CONTIENT LES ARTICLES EXPOSES CI-DESSOUS, VERIFIER QUE TOUTES LES PIECES SOIENT PRESENTES AVANT DE PROCEDER AU MONTAGE.

LA FAÇON DONT LE KIT EST EMBALLE NE CORRESPOND PAS FORCEMENT A LA FAÇON DE MONTER LES PIECES SUR LA MOTO.

Notez que si les kits sont emballés avec des rondelles en caoutchouc servant à tenir les composants, *ces rondelles doivent être jetées.*

LES PARTIES PRESENTEES PEUVENT ETRE UNIQUEMENT REPRESENTATIVES (POUR LA CLARTE DES INSTRUCTIONS UNIQUEMENT)





OUTILS REQUIS

- Jeu de clés à douille 2x 10mm
- Insérer un écrou et une rondelle sur l'axe (S0110) (l'extrémité avec le filetage le plus court) puis engager l'écrou pour que l'insert en plastic de l'écrou soit complètement engagé.
- Passer l'axe muni de l'écrou et de la rondelle à travers la bobine de béquille de stand (B0301 avec 1x CS324).
- Placer l'entretoise large (S0747) autour de l'extrémité de l'axe et sur la bobine de béquille de stand (Photo).
- Passer l'ensemble à travers l'axe de roue arrière depuis le coté droit de la moto, en veillant à ce que l'entretoise se place dans l'axe.
- Placer l'entretoise restante (S0745) autour de l'extrémité de l'axe du coté gauche de la moto, en veillant à ce que l'entretoise se place dans l'axe.
- Placer la bobine de béquille de stand restante autour de l'extrémité de l'axe.
- Passer une rondelle et un écrou du kit sur le filetage puis serrer jusqu'à ce que les 2 écrous soient engagés dans le nylon et que les longueurs dépassant de chaque coté soient identiques. NE PAS TROP BLOQUER – les écrous nylon fixent l'ensemble.

Issue 1 (NSY) 24/01/2014

CONSUMER NOTICE

The catalogue description and any exhibition of samples are only broad indications of the Products and R&G may make design changes which do not diminish their performance or visual appeal and supplying them in such state shall conform to the order. The Buyer acknowledges no representation or warranty (other than as to title) has been given or will apply to the Products other than those in R&G's order or confirmation and the Buyer confirms it has chosen the Products as being of merchantable quality and suitable for its particular purposes. Where R&G fits the Products or undertakes other services it shall exercise reasonable skill and care and rectify any fault free of charge unless the workmanship has been disturbed. The Buyer is responsible for ensuring that the warranty on the motorcycle is not affected by the fitting of the Products. On return of any defective Products R&G shall at its option either supply a replacement or refund the purchase money but shall not be liable if the Products have been modified or used or maintained otherwise than in accordance with R&G's or manufacturer's instructions and good engineering practice or if the defect arises from accident or neglect. Other than identified above and subject to R&G not limiting its liability for causing death and personal injury, it shall not be liable for indirect or consequential loss and otherwise its liability shall be limited to the amounts paid by the Buyer for the Products or the fitting or service concerned. These terms do not affect the Buyer's statutory rights.

R&G RACING RETURNS POLICY (NON-FAULTY GOODS)

Returns must be pre-authorized (if not pre-authorized the return will be rejected). Goods may only be returned direct to us if they were purchased direct from us (customer must prove if necessary). Otherwise to be returned to original vendor. Goods must be in re-sellable condition, in the opinion of R&G Racing. All returns are subject to a 25% restocking and handling fee (25% of the gross value exc. P&P – at the prevailing price at time of purchase). The customer must pay any and all carriage charges. No returns of discontinued products, unless within 14 days of purchase. This policy does not affect your statutory rights and does not refer to faulty goods.

R&G Racing

Unit 1, Shelley's Lane, East Worldham, Alton, Hampshire, GU34 3AQ

Tel: +44 (0)1420 89007 Fax: +44 (0)1420 87301 www.rg-racing.com Email: info@rg-racing.com