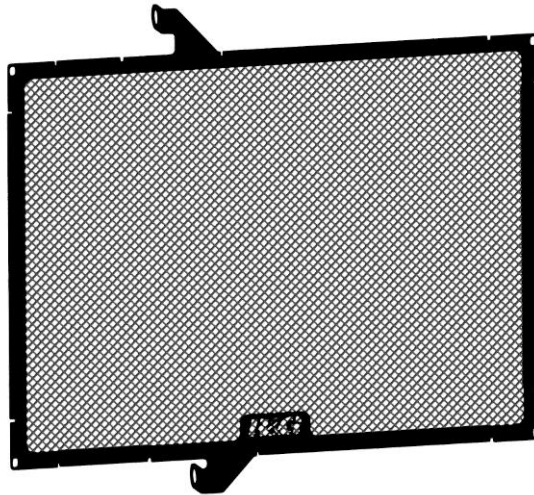




**FITTING INSTRUCTIONS FOR RAD0270 RADIATOR GUARD
FOR TRIUMPH TRIDENT 660 2021-**



THIS KIT CONTAINS THE ITEMS PICTURED AND LABELLED OVER PAGE.

SOME PARTS MAY BE SHOWN FOR CLARITY OF INSTRUCTIONS ONLY.

DO NOT PROCEED UNTIL YOU ARE SURE ALL PARTS ARE PRESENT.

PLEASE READ ALL INSTRUCTIONS BEFORE PROCEEDING.

**IF IN ANY DOUBT WHEN FITTING OUR PRODUCTS, CONSULT ONE OF
OUR DEALERS OR HAVE FITTED BY A QUALIFIED TECHNICIAN.**

PLEASE NOTE THAT THE WAY THE KIT IS PACKED DOES NOT NECESSARILY REPRESENT THE
WAY OF MOUNTING TO THE BIKE.

IN THE EVENT OF RUBBER WASHERS BEING USED TO HOLD COMPONENTS ONTO BOLTS,

THESE RUBBER WASHERS CAN BE THROWN AWAY.

DIGITAL COPIES OF THESE INSTRUCTIONS ARE AVAILABLE FROM:

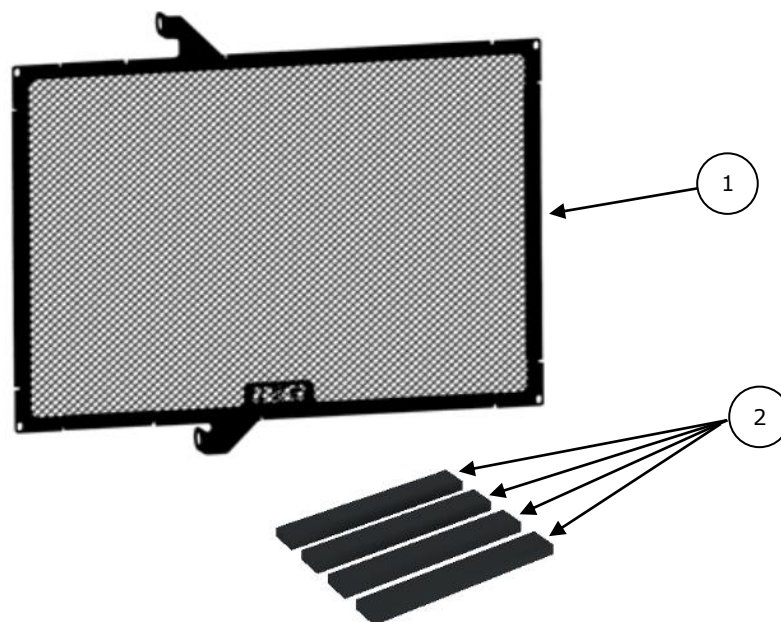
WWW.RG-RACING.COM



<u>TOOLS REQUIRED</u>	<u>GENERAL TORQUE SETTINGS</u>
<ul style="list-style-type: none"> • Socket and ratchet set to include 8mm and 10mm A/F or spanners. 	<p>M4 BOLT = 8Nm M5 BOLT = 12Nm M6 BOLT = 15Nm M8 BOLT = 20Nm M10 BOLT = 40Nm M12 BOLT = 40Nm</p>

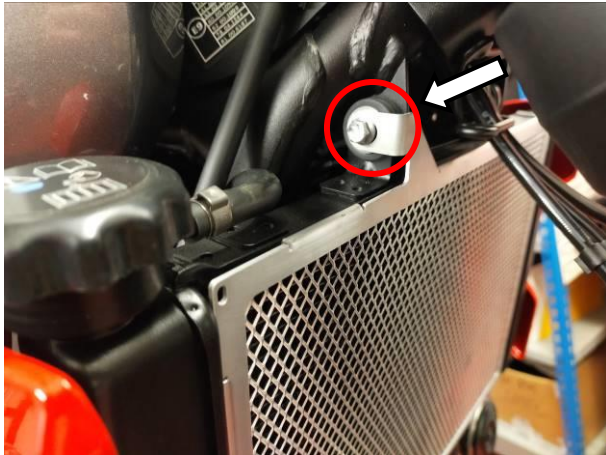
LEGEND

ITEM NO.	DESCRIPTION	QTY
ITEM 1	RADIATOR GUARD (RAD0270)	1
ITEM 2	SELF ADHESIVE FOAM x 100mm LONG	4
ITEM 3	CT220 (2.5mm CABLE TIES)	6
ITEM 4	RGS0002 SMALL STICKERS	2
ITEM 5	FITTING INSTRUCTIONS	1





FITTING PICTURES



PICTURE 1



PICTURE 2

FITTING INSTRUCTIONS

- Remove the top radiator mount as shown in **PICTURE 1**.
- Remove the lower radiator mount as shown in **PICTURE 2**.
- Cut the self-adhesive foam strips to size and place on the rear facing outer edge of the radiator guard.

Note:

Ensure radiator guard surface is free of dust & oil for optimum adhesion.

- Offer up the R&G radiator guard and follow the steps above in reverse order, making sure that the radiator guard is in the correct position, before tightening the bolts to their required torque setting.
- Attach the supplied cable ties to the 4 corners of the radiator to ensure a secure fit.
- Once the cable ties are secure, trim off the excess with a pair of scissors.

ISSUE 1 - 25/06/2021 - (AO)



CONSUMER NOTICE

The catalogue description and any exhibition of samples are only broad indications of the Products and R&G may make design changes which do not diminish their performance or visual appeal and supplying them in such state shall conform to the order. The Buyer acknowledges no representation or warranty (other than as to title) has been given or will apply to the Products other than those in R&G's order or confirmation and the Buyer confirms it has chosen the Products as being of merchantable quality and suitable for its particular purposes. Where R&G fits the Products or undertakes other services it shall exercise reasonable skill and care and rectify any fault free of charge unless the workmanship has been disturbed. The Buyer is responsible for ensuring that the warranty on the motorcycle is not affected by the fitting of the Products. On return of any defective Products R&G shall at its option either supply a replacement or refund the purchase money but shall not be liable if the Products have been modified or used or maintained otherwise than in accordance with R&G's or manufacturer's instructions and good engineering practice or if the defect arises from accident or neglect. Other than identified above and subject to R&G not limiting its liability for causing death and personal injury, it shall not be liable for indirect or consequential loss and otherwise its liability shall be limited to the amounts paid by the Buyer for the Products or the fitting or service concerned. These terms do not affect the Buyer's statutory rights.

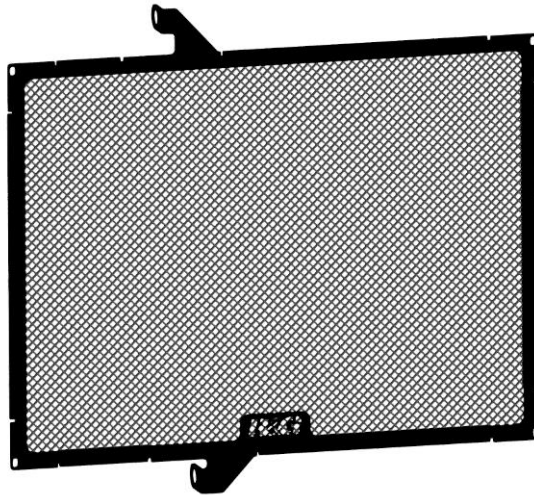
R&G RETURNS POLICY (NON-FAULTY GOODS)

Returns must be pre-authorized (if not pre-authorized the return will be rejected). Goods may only be returned direct to us if they were purchased direct from us (customer must prove if necessary). Otherwise to be returned to original vendor. Goods must be in re-sellable condition, in the opinion of R&G. All returns are subject to a 25% restocking and handling fee (25% of the gross value exc. P&P – at the prevailing price at time of purchase). The customer must pay any and all carriage charges. No returns of discontinued products, unless within 14 days of purchase. This policy does not affect your statutory rights and does not refer to faulty goods.

R&G



**NOTICE DE MONTAGE POUR RAD0270 GRILLE DE RADIATEUR
POUR TRIUMPH TRIDENT 660 2021-**



CE KIT CONTIENT LES ARTICLES ILLUSTRÉS ET ÉTIQUETES SUR LA PAGE.

CERTAINES PARTIES PEUVENT ÊTRE PRÉSENTES UNIQUEMENT POUR LA CLARTÉ DES
INSTRUCTIONS.

NE PAS PROCÉDER AU MONTAGE TANT QUE VOUS N'ÊTES PAS SÛR QUE TOUTES LES PIÈCES
SOIENT PRÉSENTES.

VEUILLEZ LIRE TOUTES LES INSTRUCTIONS AVANT DE CONTINUER.

**EN CAS DE DOUTE LORS DU MONTAGE DE NOS PRODUITS, CONSULTEZ
UN DE NOS REVENDEURS OU FAITES APPEL À UN TECHNICIEN
QUALIFIÉ.**

VEUILLEZ NOTER QUE LA FAÇON DONT LE KIT EST EMBALLÉ NE REPRÉSENTE PAS
NECESSAIREMENT LA MANIÈRE DE LE MONTER SUR LA MOTO.

SI DES RONDELLES EN CAOUTCHOUC SONT UTILISÉES POUR MAINTENIR LES COMPOSANTS
SUR LES BOULONS, ELLES PEUVENT ÊTRE JETÉES.

NOTICE DISPONIBLE AU TÉLÉCHARGEMENT SUR :

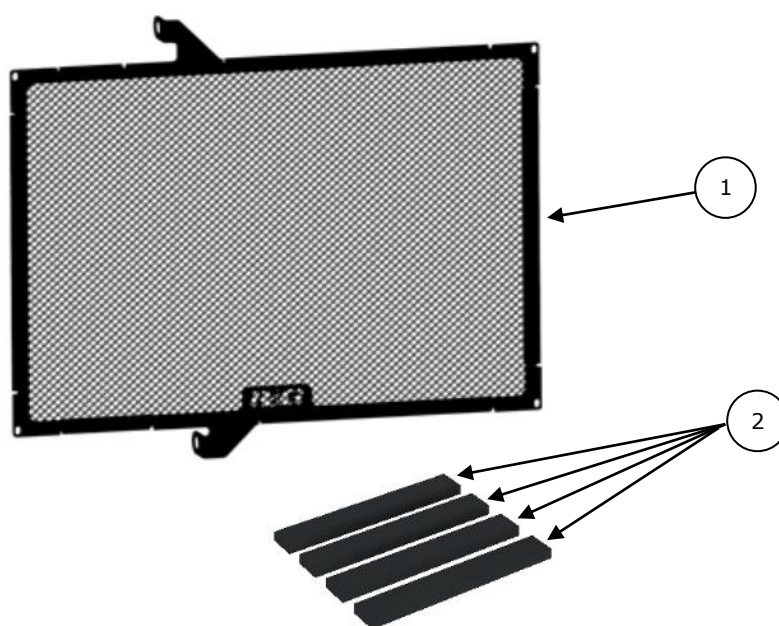
WWW.RG-RACING.COM



OUTILS REQUIS	VALEURS DE SERRAGE
<ul style="list-style-type: none"> Clé à cliquet + douilles 8 et 10mm. 	M4 BOULON = 8Nm M5 BOULON = 12Nm M6 BOULON = 15Nm M8 BOULON = 20Nm M10 BOULON = 40Nm M12 BOULON = 40Nm

LÉGENDE

ARTICLE NO.	DESCRIPTION	QTÉ
ARTICLE 1	GRILLE DE PROTECTION RADIATEUR (RAD0270)	1
ARTICLE 2	MOUSSE AUTOCOLLANTE x 100mm DE LONG	4
ARTICLE 3	CT220 (2.5mm COLLIERS DE SERRAGE)	6
ARTICLE 4	RGS0002 PETIT STICKER	2
ARTICLE 5	NOTICE DE MONTAGE	1





PHOTOS DE MONTAGE

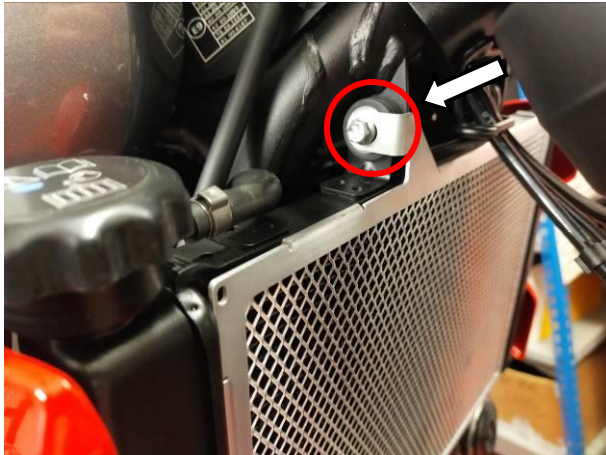


PHOTO 1



PHOTO 2

NOTICE DE MONTAGE

- Retirez le support de radiateur supérieur comme indiqué sur la PHOTO 1.
- Retirez le support inférieur du radiateur comme indiqué sur la PHOTO 2.
- Coupez les bandes de mousse autocollantes à la bonne taille et placez-les sur le bord extérieur orienté vers l'arrière du protège-radiateur.

Note:

Assurez-vous que la surface de protection du radiateur soit exempte de poussière et d'huile pour une adhérence optimale.

- Présentez le protège-radiateur R&G et suivez les étapes ci-dessus dans l'ordre inverse, en vous assurant que le protège-radiateur soit dans la bonne position, avant de serrer les boulons au couple requis.
- Fixez les attaches de câble fournies aux 4 coins du radiateur pour assurer un ajustement sûr.

R&G



- Une fois les attaches de câble fixées, coupez l'excédent avec une paire de ciseaux.

ISSUE 1 - 25/06/2021 - (AO)

CONSUMER NOTICE

The catalogue description and any exhibition of samples are only broad indications of the Products and R&G may make design changes which do not diminish their performance or visual appeal and supplying them in such state shall conform to the order. The Buyer acknowledges no representation or warranty (other than as to title) has been given or will apply to the Products other than those in R&G's order or confirmation and the Buyer confirms it has chosen the Products as being of merchantable quality and suitable for its particular purposes. Where R&G fits the Products or undertakes other services it shall exercise reasonable skill and care and rectify any fault free of charge unless the workmanship has been disturbed. The Buyer is responsible for ensuring that the warranty on the motorcycle is not affected by the fitting of the Products. On return of any defective Products R&G shall at its option either supply a replacement or refund the purchase money but shall not be liable if the Products have been modified or used or maintained otherwise than in accordance with R&G's or manufacturer's instructions and good engineering practice or if the defect arises from accident or neglect. Other than identified above and subject to R&G not limiting its liability for causing death and personal injury, it shall not be liable for indirect or consequential loss and otherwise its liability shall be limited to the amounts paid by the Buyer for the Products or the fitting or service concerned. These terms do not affect the Buyer's statutory rights.

R&G RETURNS POLICY (NON-FAULTY GOODS)

Returns must be pre-authorized (if not pre-authorized the return will be rejected). Goods may only be returned direct to us if they were purchased direct from us (customer must prove if necessary). Otherwise to be returned to original vendor. Goods must be in re-sellable condition, in the opinion of R&G. All returns are subject to a 25% restocking and handling fee (25% of the gross value exc. P&P – at the prevailing price at time of purchase). The customer must pay any and all carriage charges. No returns of discontinued products, unless within 14 days of purchase. This policy does not affect your statutory rights and does not refer to faulty goods.

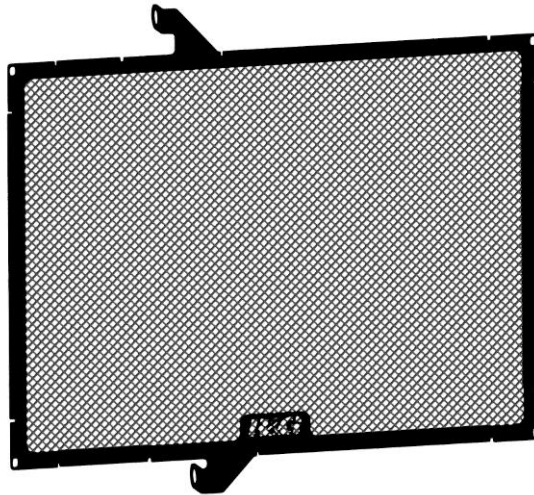
R&G

Unit 1, Shelley's Lane, East Worldham, Alton, Hampshire, GU34 3AQ

Tel: +44 (0)1420 89007 Fax: +44 (0)1420 87301 www.rg-racing.com Email: info@rg-racing.com



**MONTAGEANLEITUNG FÜR RAD0270 KÜHLERSCHUTZ
FÜR TRIUMPH TRIDENT 660 2021-**



**ALLE KIT-TEILE SIND AUF DEN NACHFOLGENDEN SEITEN ABGEBILDET UND
GEKENNZEICHNET.**

DIE ABGEBILDETEN TEILE DIENEN LEDIGLICH ZUR ERKLÄRUNG.
ÜBERPRÜFEN SIE ZUERST, DASS ALLE TEILE VORHANDEN SIND.

LESEN SIE DIE MONTAGEANLEITUNG KOMPLETT DURCH, BEVOR SIE ANFANGEN.

**WENN SIE BEI DER MONTAGE DIESES PRODUKTES UNSICHER SIND,
BITTE EINEN UNSERER HÄNDLER KONTAKTIEREN ODER DAS KIT VON
EINEM QUALIFIZIERTEN ZWEIRAD-MECHANIKER MONTIEREN LASSEN.**

DIE VERPACKUNG DER TEILE STELLT NICHT DIE REIHENFOLGE DER MONTAGE DAR.

HINWEIS FÜR KITS MIT PLASTIKUNTERLEGSCHLEIBEN AN DEN SCHRAUBEN –
DIESE PLASTIK-UNTERLEGSCHLEIBEN WERDEN NICHT FÜR DEN EINBAU BENÖTIGT

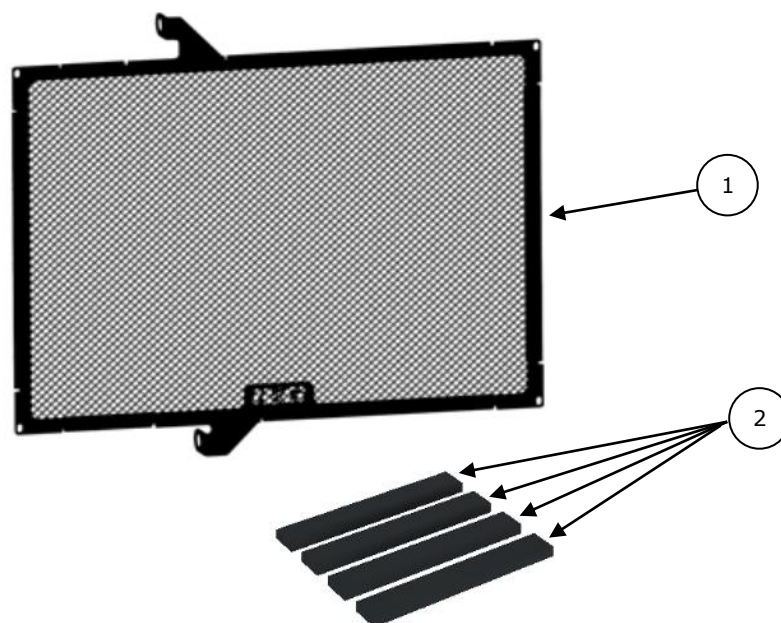
**EINE DIGITALE VERSION DIESER MONTAGEANLEITUNG KANN AUF
FOLGENDER SEITE HERUNTERGELADEN WERDEN:
WWW.RG-RACING.COM**



<u>SIE BENÖTIGEN FOLGENDES WERKZEUG</u>	<u>ALLGEM. ANZUGSDREHMOMENT</u>
<ul style="list-style-type: none"> Steckschlüssel-Satz inkl. 8mm und 10mm A/F oder Schraubenschlüssel 	M4 SCHRAUBE = 8Nm M5 SCHRAUBE = 12Nm M6 SCHRAUBE = 15Nm M8 SCHRAUBE = 20Nm M10 SCHRAUBE = 40Nm M12 SCHRAUBE = 40Nm

LIEFERUMFANG

ARTIKEL NR.	BESCHREIBUNG	MENGE
ARTIKEL 1	KÜHLERSCHUTZ (RAD0270)	1
ARTIKEL 2	SELBSTKLEBENDER SCHAUMSTOFF x 100mm LÄNGE	4
ARTIKEL 3	CT220 (2,5mm KABELBINDER)	6
ARTIKEL 4	RGS0002 KLEINER AUFKLEBER	2
ARTIKEL 5	MONTAGEANLEITUNG	1



R&G



MONTAGE - ABBILDUNGEN

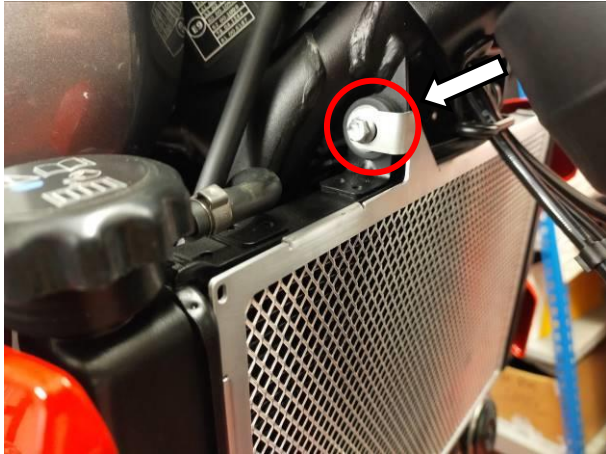


ABBILDUNG 1



ABBILDUNG 2

MONTAGEANLEITUNG

- Entfernen Sie die obere Halterung für den Kühler wie in **ABBILDUNG 1** abgebildet.
- Entfernen Sie die untere Halterung für den Kühler wie in **ABBILDUNG 2** abgebildet.
- Die mitgelieferten Schaumstoff-Streifen passend schneiden und an der äußeren Kante an der Rückseite des Kühlerschutzes anbringen.

Hinweis:

Um eine optimale Haftung des Schaumstoffes zu erreichen, muss die Oberfläche des Kühlerschutzes öl- und staubfrei sein.

- Den R&G Kühlerschutz anbringen, indem Sie die oben beschriebene Schritte in umgekehrter Reihenfolge ausführen. Stellen Sie sicher, dass der Kühlerschutz richtig positioniert ist, bevor Sie die Schrauben mit dem empfohlenen Anzugsdrehmoment festziehen.
- Die mitgelieferten Kabelbinder an den 4 Ecken des Kühlerschutzes anbringen und sicher befestigen.
- Wenn die Kabelbinder endgültig fixiert sind, das überschüssige Band mit einer Schere abschneiden.

AUSGABE 1 - 25/06/2021 - (AO)



CONSUMER NOTICE

The catalogue description and any exhibition of samples are only broad indications of the Products and R&G may make design changes which do not diminish their performance or visual appeal and supplying them in such state shall conform to the order. The Buyer acknowledges no representation or warranty (other than as to title) has been given or will apply to the Products other than those in R&G's order or confirmation and the Buyer confirms it has chosen the Products as being of merchantable quality and suitable for its particular purposes. Where R&G fits the Products or undertakes other services it shall exercise reasonable skill and care and rectify any fault free of charge unless the workmanship has been disturbed. The Buyer is responsible for ensuring that the warranty on the motorcycle is not affected by the fitting of the Products. On return of any defective Products R&G shall at its option either supply a replacement or refund the purchase money but shall not be liable if the Products have been modified or used or maintained otherwise than in accordance with R&G's or manufacturer's instructions and good engineering practice or if the defect arises from accident or neglect. Other than identified above and subject to R&G not limiting its liability for causing death and personal injury, it shall not be liable for indirect or consequential loss and otherwise its liability shall be limited to the amounts paid by the Buyer for the Products or the fitting or service concerned. These terms do not affect the Buyer's statutory rights.

R&G RETURNS POLICY (NON-FAULTY GOODS)

Returns must be pre-authorized (if not pre-authorized the return will be rejected). Goods may only be returned direct to us if they were purchased direct from us (customer must prove if necessary). Otherwise to be returned to original vendor. Goods must be in re-sellable condition, in the opinion of R&G. All returns are subject to a 25% restocking and handling fee (25% of the gross value exc. P&P – at the prevailing price at time of purchase). The customer must pay any and all carriage charges. No returns of discontinued products, unless within 14 days of purchase. This policy does not affect your statutory rights and does not refer to faulty goods.

R&G