



**FITTING INSTRUCTIONS FOR PKS0153SI KICKSTAND SHOE**



**THIS KIT CONTAINS THE ITEMS PICTURED AND LABELLED OVER PAGE.**

SOME PARTS MAY BE SHOWN FOR CLARITY OF INSTRUCTIONS ONLY.

DO NOT PROCEED UNTIL YOU ARE SURE ALL PARTS ARE PRESENT.

**PLEASE READ ALL INSTRUCTIONS BEFORE PROCEEDING.**

**IF IN ANY DOUBT WHEN FITTING OUR PRODUCTS, CONSULT ONE OF OUR DEALERS  
OR HAVE FITTED BY A QUALIFIED TECHNICIAN.**

Please note that the way the kit is packed does not necessarily represent the way of mounting to the bike.

In the event of rubber washers being used to hold components onto bolts, these rubber washers can be thrown away.

**DIGITAL COPIES OF THESE INSTRUCTIONS ARE AVAILABLE FROM**

**[WWW.RG-RACING.COM](http://WWW.RG-RACING.COM)**

R&G

Unit 1, Shelley's Lane, East Worldham, Alton, Hampshire, GU34 3AQ

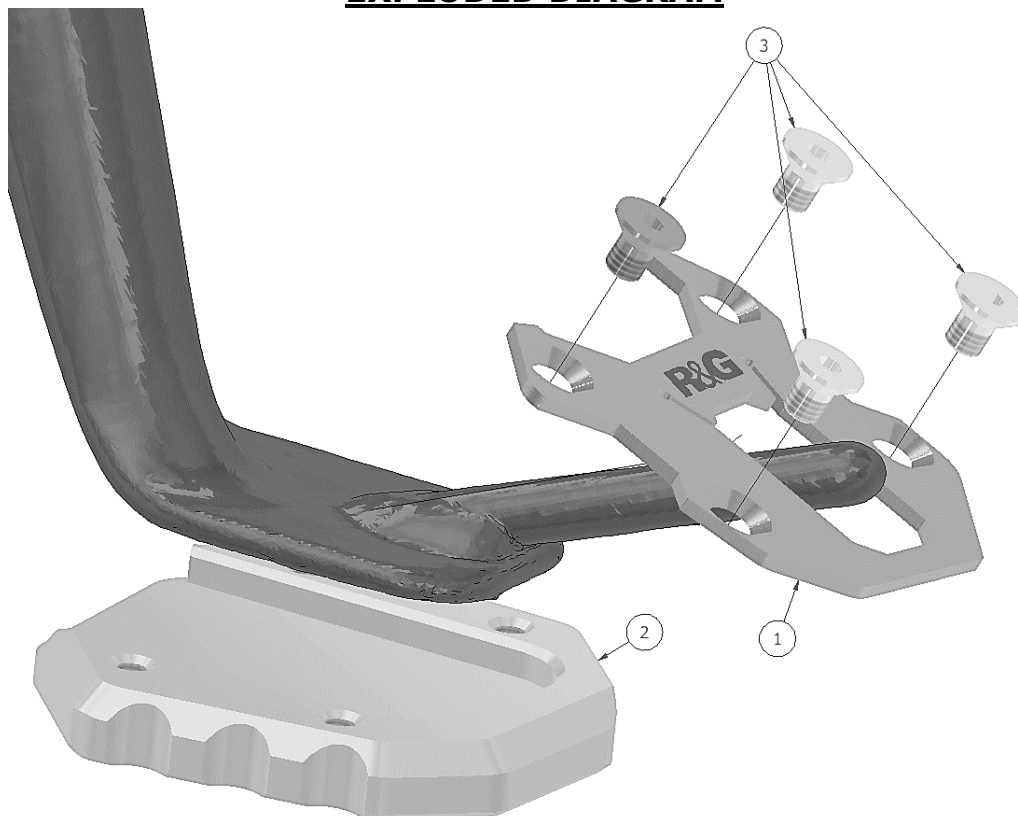
Tel: +44 (0)1420 89007 Fax: +44 (0)1420 87301 [www.rg-racing.com](http://www.rg-racing.com) Email: [info@rg-racing.com](mailto:info@rg-racing.com)

<b><u>TOOLS REQUIRED</u></b>	<b><u>GENERAL TORQUE SETTINGS</u></b>
<ul style="list-style-type: none"> <li>• 3mm A/F Allen key or bit.</li> <li>• Thread locking compound.</li> </ul>	<ul style="list-style-type: none"> <li>• M4 BOLT = 8Nm</li> <li>• M5 BOLT = 12Nm</li> <li>• M6 BOLT = 15Nm</li> <li>• M8 BOLT = 20Nm</li> <li>• M10 BOLT = 40Nm</li> <li>• M12 BOLT = 40Nm</li> </ul>

### **LEGEND**

<b>ITEM No.</b>	<b>DESCRIPTION</b>	<b>QTY</b>
ITEM 1	CLAMP PLATE (PLATE0299)	1
ITEM 2	MOUNTING PLATE (MP0274)	1
ITEM 3	M5x8mm LONG STAINLESS-STEEL COUNTERSUNK BOLTS	4
ITEM 4	50mm STRIP OF SELF-ADHESIVE FOAM	1

### **EXPLODED DIAGRAM**



### **FITTING INSTRUCTIONS**

- Carefully pass the stainless-steel clamping plate (**Item 1**) around the side stand foot pin with the countersinks facing upwards.

R&G

Unit 1, Shelley's Lane, East Worldham, Alton, Hampshire, GU34 3AQ

Tel: +44 (0)1420 89007 Fax: +44 (0)1420 87301 [www.rg-racing.com](http://www.rg-racing.com) Email: [info@rg-racing.com](mailto:info@rg-racing.com)

- Take the machined aluminium mounting plate (**Item 2**) and fit to the base of the side stand from underneath.
- Sandwich the two plates together around the side stand foot.
- Apply a small amount of (one drop) of thread locking compound to the threaded end of each countersunk bolt (**Item 3**).
- Fit the four bolts (**Item 3**) through the clamp plate and into the mounting plate, clamping the two plates securely together to the side stand foot as shown in the assembly diagram on page 1.
- Tighten all the bolts evenly and ensure the stand is clear of the swingarm and chain when in the raised position.
- If fitting to older used stands that have wear, the self-adhesive foam strip (**Item 4**) should be cut and placed into the base plate to ensure a tight fit.

ISSUE 1 - 21/10/2022 (TB)

#### **CONSUMER NOTICE**

The catalogue description and any exhibition of samples are only broad indications of the Products and R&G may make design changes which do not diminish their performance or visual appeal and supplying them in such state shall conform to the order. The Buyer acknowledges no representation or warranty (other than as to title) has been given or will apply to the Products other than those in R&G's order or confirmation and the Buyer confirms it has chosen the Products as being of merchantable quality and suitable for its particular purposes. Where R&G fits the Products or undertakes other services it shall exercise reasonable skill and care and rectify any fault free of charge unless the workmanship has been disturbed. The Buyer is responsible for ensuring that the warranty on the motorcycle is not affected by the fitting of the Products. On return of any defective Products R&G shall at its option either supply a replacement or refund the purchase money but shall not be liable if the Products have been modified or used or maintained otherwise than in accordance with R&G's or manufacturer's instructions and good engineering practice or if the defect arises from accident or neglect. Other than identified above and subject to R&G not limiting its liability for causing death and personal injury, it shall not be liable for indirect or consequential loss and otherwise its liability shall be limited to the amounts paid by the Buyer for the Products or the fitting or service concerned. These terms do not affect the Buyer's statutory rights.

#### **R&G RACING RETURNS POLICY (NON-FAULTY GOODS)**

Returns must be pre-authorized (if not pre-authorized the return will be rejected). Goods may only be returned direct to us if they were purchased direct from us (customer must prove if necessary). Otherwise to be returned to original vendor. Goods must be in re-sellable condition, in the opinion of R&G Racing. All returns are subject to a 25% restocking and handling fee (25% of the gross value exc. P&P – at the prevailing price at time of purchase). The customer must pay any and all carriage charges. No returns of discontinued products, unless within 14 days of purchase. This policy does not affect your statutory rights and does not refer to faulty goods.

R&G

Unit 1, Shelley's Lane, East Worldham, Alton, Hampshire, GU34 3AQ

Tel: +44 (0)1420 89007 Fax: +44 (0)1420 87301 [www.rg-racing.com](http://www.rg-racing.com) Email: [info@rg-racing.com](mailto:info@rg-racing.com)



## **NOTICE DE MONTAGE POUR PKS0153SI PIED DE BÉQUILLE**



**CE KIT CONTIENT LES ARTICLES ILLUSTRÉS ET ÉTIQUETÉS SUR LA PAGE.**

CERTAINES PIÈCES PEUVENT ÊTRE INDIQUÉES UNIQUEMENT POUR LA CLARTÉ DES INSTRUCTIONS.

NE PAS CONTINUER AVANT D'ÊTRE SÛR DE LA PRÉSENCE DE TOUTES LES PIÈCES.

**VEUILLEZ LIRE TOUTES LES INSTRUCTIONS AVANT DE CONTINUER.**

**EN CAS DE DOUTE LORS DE L'INSTALLATION DE NOS PRODUITS, CONSULTEZ UN DE NOS  
REVENDEURS OU FAITES INSTALLER PAR UN TECHNICIEN QUALIFIÉ**

VEUILLEZ NOTER QUE LA FAÇON DONT LE KIT EST EMBALLÉ NE REPRÉSENTE PAS NÉCESSAIREMENT  
LE MODE DE MONTAGE SUR LA MOTO.

EN CAS D'UTILISATION DE RONDELLES EN CAOUTCHOUC POUR MAINTENIR LES COMPOSANTS SUR  
LES BOULONS, CES RONDELLES EN CAOUTCHOUC PEUVENT ÊTRE JETÉES.

**NOTICE DE MONTAGE DISPONIBLE AU TÉLÉCHARGEMENT SUR :**

[WWW.RG-RACING.COM](http://WWW.RG-RACING.COM)

R&G

Unit 1, Shelley's Lane, East Worldham, Alton, Hampshire, GU34 3AQ

Tel: +44 (0)1420 89007 Fax: +44 (0)1420 87301 [www.rg-racing.com](http://www.rg-racing.com) Email: [info@rg-racing.com](mailto:info@rg-racing.com)

**OUTILS REQUIS**

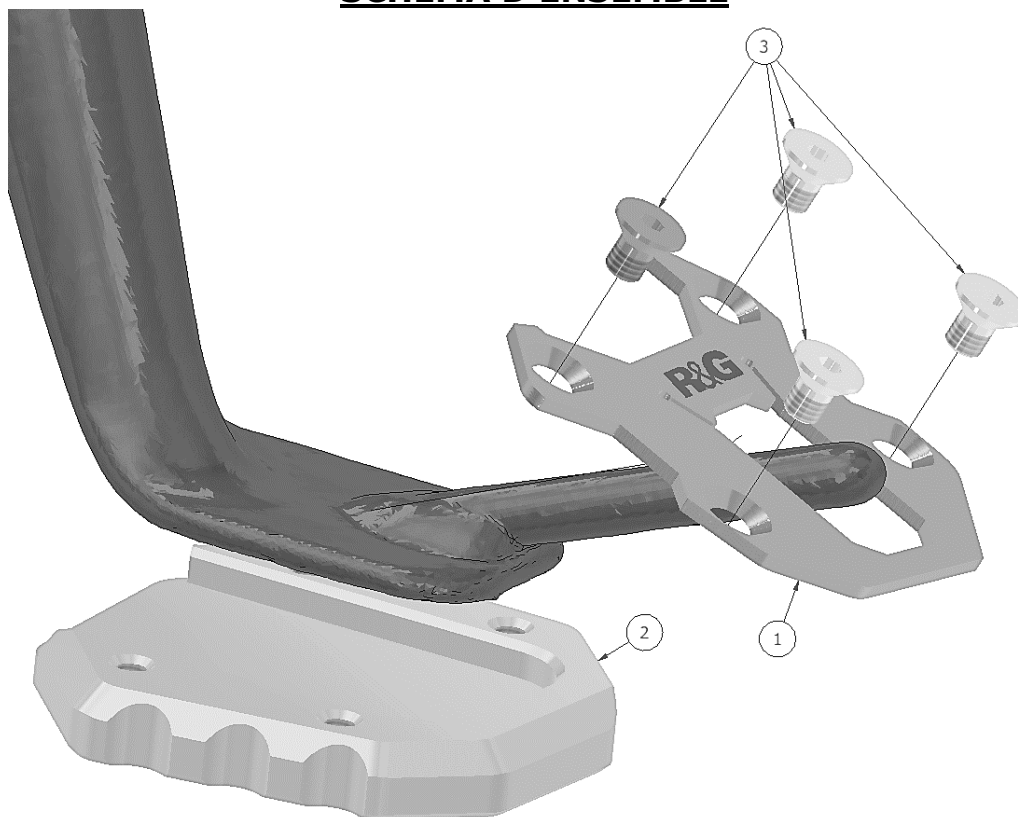
- Clé Allen 3mm .
- Loctite Blue 242.

**GENERAL TORQUE SETTINGS**

- M4 BOULON = 8Nm
- M5 BOULON = 12Nm
- M6 BOULON = 15Nm
- M8 BOULON = 20Nm
- M10 BOULON = 40Nm
- M12 BOULON = 40Nm

**LÉGENDE**

ARTICLE No.	DESCRIPTION	QTÉ
ARTICLE 1	PLAQUE DE MONTAGE (PLATE0299)	1
ARTICLE 2	PLAQUE DE SERRAGE (MP0274)	1
ARTICLE 3	M5x8mm BOULONS	4
ARTICLE 4	50mm BANDEAUX DE MOUSSE AUTOCOLLANTS	1

**SCHÉMA D'ENSEMBLE**

R&amp;G

Unit 1, Shelley's Lane, East Worldham, Alton, Hampshire, GU34 3AQ

Tel: +44 (0)1420 89007 Fax: +44 (0)1420 87301 [www.rg-racing.com](http://www.rg-racing.com) Email: [info@rg-racing.com](mailto:info@rg-racing.com)



## **NOTICE DE MONTAGE**

- Passez avec précaution la plaque de serrage (Article 1) autour du pied de la béquille latérale avec les fraises vers le haut.
- Prenez la plaque de montage en aluminium usinée (Article 2) et fixez-la à la base de la béquille latérale par le dessous.
- Enserrez les deux plaques ensemble autour du pied de la béquille latérale.
- Appliquez une petite quantité (une goutte) de frein-filet sur l'extrémité filetée de chaque boulon à tête fraisée (Article 3).
- Montez les quatre boulons (article 3) à travers la plaque de serrage et dans la plaque de montage, en serrant solidement les deux plaques ensemble au pied de la béquille latérale comme indiqué sur le schéma en page 1.
- Serrez tous les boulons uniformément et assurez-vous que la béquille soit dégagée du bras oscillant et de la chaîne lorsqu'elle est en position relevée.
- En cas d'installation sur des supports usagés plus anciens et usés, la bande de mousse autocollante (article 4) doit être coupée et placée dans la plaque de base pour assurer un ajustement serré.

ISSUE 1 - 21/10/2022 (TB)

### **CONSUMER NOTICE**

The catalogue description and any exhibition of samples are only broad indications of the Products and R&G may make design changes which do not diminish their performance or visual appeal and supplying them in such state shall conform to the order. The Buyer acknowledges no representation or warranty (other than as to title) has been given or will apply to the Products other than those in R&G's order or confirmation and the Buyer confirms it has chosen the Products as being of merchantable quality and suitable for its particular purposes. Where R&G fits the Products or undertakes other services it shall exercise reasonable skill and care and rectify any fault free of charge unless the workmanship has been disturbed. The Buyer is responsible for ensuring that the warranty on the motorcycle is not affected by the fitting of the Products. On return of any defective Products R&G shall at its option either supply a replacement or refund the purchase money but shall not be liable if the Products have been modified or used or maintained otherwise than in accordance with R&G's or manufacturer's instructions and good engineering practice or if the defect arises from accident or neglect. Other than identified above and subject to R&G not limiting its liability for causing death and personal injury, it shall not be liable for indirect or consequential loss and otherwise its liability shall be limited to the amounts paid by the Buyer for the Products or the fitting or service concerned. These terms do not affect the Buyer's statutory rights.

### **R&G RACING RETURNS POLICY (NON-FAULTY GOODS)**

Returns must be pre-authorized (if not pre-authorized the return will be rejected). Goods may only be returned direct to us if they were purchased direct from us (customer must prove if necessary). Otherwise to be returned to original vendor. Goods must be in re-sellable condition, in the opinion of R&G Racing. All returns are subject to a 25% restocking and handling fee (25% of the gross value exc. P&P – at the prevailing price at time of purchase). The customer must pay any and all carriage charges. No returns of discontinued products, unless within 14 days of purchase. This policy does not affect your statutory rights and does not refer to faulty goods.

R&G

Unit 1, Shelley's Lane, East Worldham, Alton, Hampshire, GU34 3AQ

Tel: +44 (0)1420 89007 Fax: +44 (0)1420 87301 [www.rg-racing.com](http://www.rg-racing.com) Email: [info@rg-racing.com](mailto:info@rg-racing.com)