

## Kit Contents

Description	Part No	Pcs
Top cap assembly with P.L. screw		1
Top cap assembly		1
Pre-load tube 195	60060-17	1
Pre-load tube 140	60060-18	1
Spring 35.3/300/9.5	68004-95	2
Sticker "ÖHLINS"	01185-04	2
Sticker "ÖHLINS"	01185-01	2
Sticker "ÖHLINS"	00192-01	2

### 👁️ Note!

Before installing this product, check the contents of the kit. If anything is missing, please contact an Öhlins dealer.

### ⚠️ Warning!

Öhlins cannot be held responsible for any personal injury or damage that may occur after installing the Öhlins spring kit. We strongly recommend to let an Öhlins authorized service center to install this kit.

### ⚠️ Warning!

After you have installed this product, take a test ride at low speed to be sure that your vehicle has maintained stability.

### 👁️ Note!

Please note that this image is a general representation of the product and may differ slightly from your product.

### 👁️ Note!

Please note that during storage and transportation, especially at high ambient temperature, some of the oil and grease used for assembling may leak and stain the packaging. This is in no way detrimental to the product, wipe off the excessive oil/grease with a cloth.

## Fork Spring Kit for Triumph Bonneville T120-2016

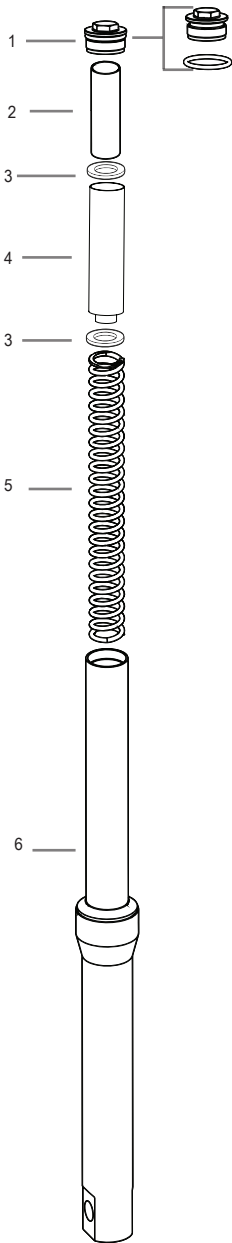
# FSK 120

## Mounting Instructions

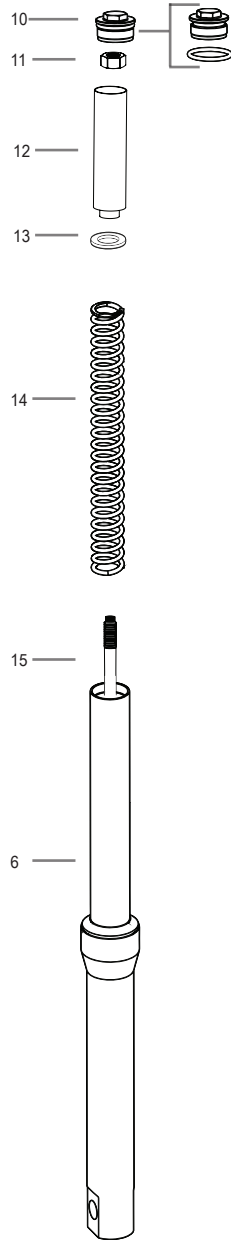


# MOUNTING INSTRUCTIONS

## Original Front Fork assembly



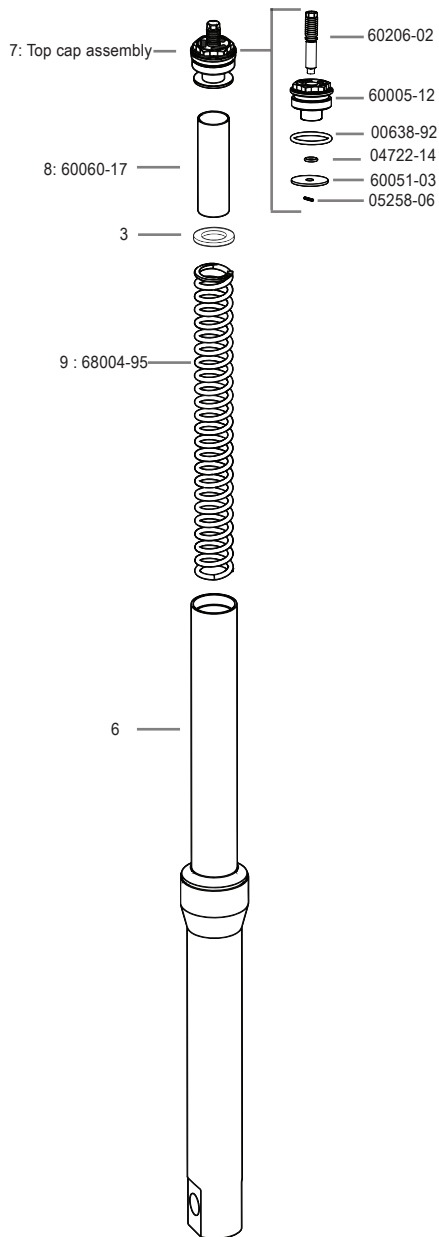
Left Fork Leg



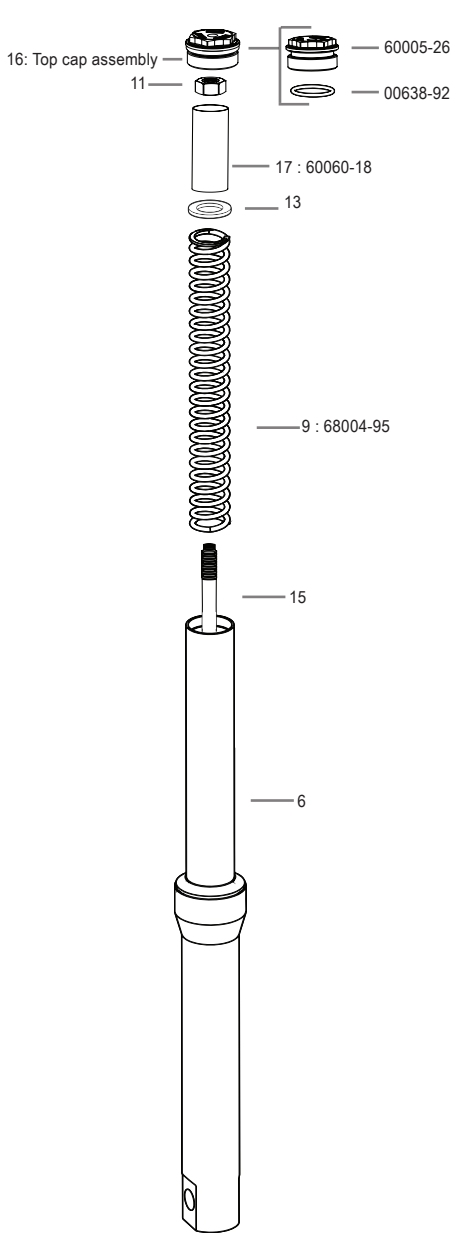
Right Fork Leg

# MOUNTING INSTRUCTIONS

## Öhlins Front Fork kit assembly



Left Fork Leg



Right Fork Leg

# MOUNTING INSTRUCTIONS

## **Congratulations!**

*With this purchase you have made a clear statement. This high performance Front Fork spring kit from Öhlins is nothing but pure racing breed which means that you have taken one more step to eliminate luck on your motorcycle.*

*The balance between your Front Fork and rear suspension will sharpen up and the performance of your Front Fork will improve. Almost 40 years of racing experience is now a crucial part of your riding experience.*

### **Note!**

---

*Apply masking tape on the hexagon surface to avoid damages on the surface during assembling*

---

### **Recommended oil**

We recommended to use Öhlins high performance Front Fork fluid 01330-01

### **Recommended oil Level**

LH : 160 mm.

RH : 120 mm.

### **Note!**

---

*The measurement of oil level is taken from the top of the inner tube (6) to the oil surface.*

---

---

*> The fork leg need to be in vertical position*

*> The fork need to be fully compressed*

*> The fork must be without the spring and the preload tube*

---

### **Note!**

---

*During the installation of the fork damping kit, please be sure to don't damage the spring washer (3),(13)*

---

### **Note!**

---

*Öhlins FSK 120 gives the possibility to adjust the spring preload -5/+10 mm from standard preload (5.5 mm) on the LH leg only*

---

---

*> Every complete turn equal 1mm adjustment*

---

### **Note!**

---

*Öhlins FSK 120 spring 68004-95 rate is 9.5 N/mm*

---

# MOUNTING INSTRUCTIONS

## How to install

1. Put the motorcycle on the work stand so that the front wheel barely touch the ground. Make sure the motorcycle is in a stable position.
2. Release the fork tube from the top triple clamp.

### **Note!**

*Work with 1 fork leg at the time*

## Left Fork Leg

3. Remove the original Top cap (1), Pre-load tube (2 and 4) Spring washer (3 ; 2 pcs.) and Spring (5)
4. Purge all the oil from the fork leg.
5. Insert the Öhlins spring (9), standard spring washer (3; 1 Pc.) and Öhlins Pre-load tube (8)
6. Fill the fork leg with oil according to the recommended type and quantity.
7. Install the Öhlins Top cap(7).  
Tighten the top cap at torque value - 10N/m.

13. Re-install both fork leg as per vehicle services manual instructions.

## Right Fork Leg

8. Remove the original Top cap(10) by compressing the preload tube and using the tool 02810-02 to retain the shaft. Then unlock the nut(11) and remove the original top cap(10), Preload tube(12),Washer(13),Spring(14)
9. Purge all the oil from the fork leg.
10. Install the Öhlins spring(9), Washer(13) Preload tube(17)
11. Fill the fork with oil according to the recommended type and quantity.
12. Install the Öhlins top cap (16) .  
Torque :
  - Top cap to damper rod and nut as per manufacturer specs.
  - Top cap to outer tube - 10 N/m.







---

👁️ Öhlins products are subject to continuous improvement and development, therefore, although these instructions include the most up-to-date information available at the time of printing, minor updates may occur.

To find the latest information contact an Öhlins distributor. Please contact Öhlins if you have any questions regarding the contents in this document.

Part no. MI\_FSK120\_EN\_1  
Issued 2016-11-10

© Öhlins Asia Co. Ltd. All rights reserved. Any reprinting or unauthorized use without the written permission of Öhlins Racing AB is prohibited.

Öhlins Asia Co. Ltd  
700/937 Moo5, Tambol Nongkhaga,  
Amphur Phantong, Chonburi Province  
20160 Thailand



[www.ohlins.com](http://www.ohlins.com)