

Note!

Please note that there can be small differences between your product and the images in these instructions.

Note!

Please note that during storage and transport, especially at high ambient temperature, some of the oil and grease used for assembly may leak and stain the packaging. This will not cause damage to the product, wipe off the excessive oil or grease with a cloth.

Kit Contents

| Description | Part No | Pcs |
|--------------------|----------|-----|
| Shock absorber | YA819 | 1 |
| Tie rap | 00231-01 | 3 |
| Screw M10x50 | 05404-17 | 1 |
| Nut M10 | 00430-01 | 1 |
| Sticker set | 10207-01 | 1 |
| Sticker Memo notes | 01180-01 | 1 |
| Owner's manual | 07241-02 | 1 |

Note!

Before you install this product, check the kit contents. If anything is missing, please contact an Öhlins dealer.

Warning!

Before you install this product, read the Öhlins Owner's manual. This product is an important part of the vehicle and the vehicle stability.

Shock absorber for Yamaha Tenere 700 World Raid

YA 819

Mounting Instructions



MOUNTING INSTRUCTIONS

⚠ Warning!

We strongly recommend to let an Öhlins dealer install this product.

⚠ Warning!

If you work with a lifted vehicle, make sure that it is safely supported to prevent it from tipping over.

👁 Note!

When you work with this product, see the vehicle service manual for vehicle specific procedures and important data.

👁 Note!

Before you install this product clean the vehicle.

1

Put the motorcycle on a work stand so that the rear wheel is up in the air and put a support under the rear wheel.

2

Remove the seat.

3

Remove the covers below the seat.

4

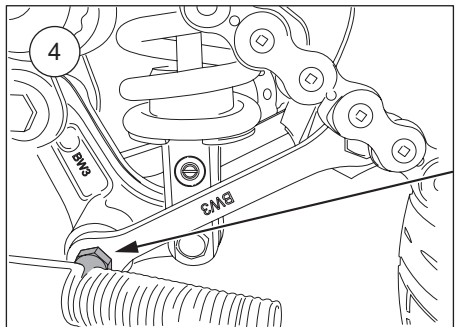
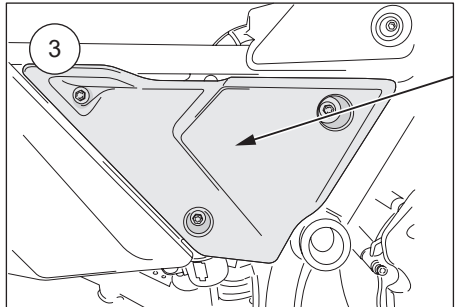
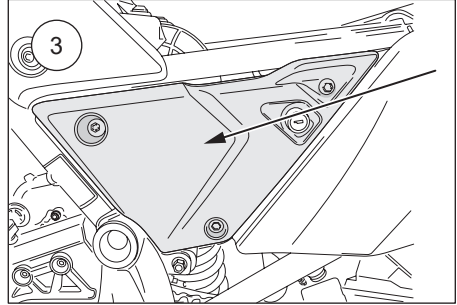
Remove the screw connecting the triangle link and pull rods.

5

Remove the lower shock absorber screw.

6

Remove the upper shock absorber screw. Lower the swing arm and remove the shock absorber upwards.



MOUNTING INSTRUCTIONS

7

Mount the Öhlins shock absorber in reverse order.

8

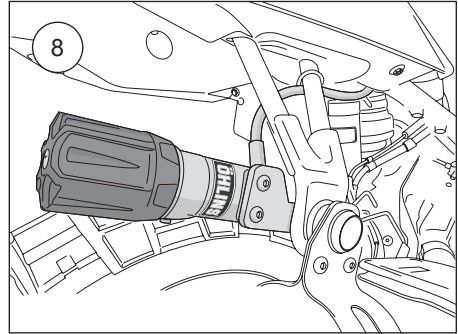
Mount the hydraulic preload master cylinder at the silencer mount. Use the supplied screw (05404-17) and nut (00430-01). Keep original outer and inner washers against the silencer bracket.

9

Use supplied Tie-raps (00231-01) to fasten the hose.

10

Mount the covers and seat back in reverse order.



ADJUSTMENTS

⚠ Warning!

Before you ride/drive, always make sure that the setup is according to the recommended setup data. Read about adjustments and setting up in the Öhlins Owner's Manual before you make any adjustments. Contact an Öhlins dealer if you have any questions about setting up.

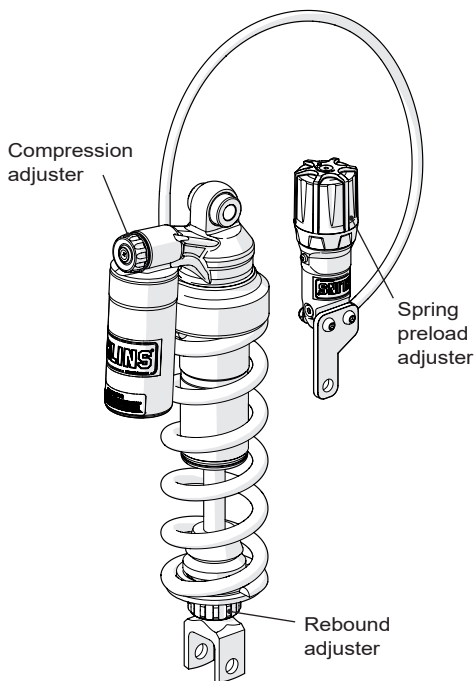
SETUP DATA

| | | |
|--------------------|------------|--------|
| Length | 385 | mm |
| Stroke | 100 | mm |
| Rebound | 14 | clicks |
| Compression | 12 | clicks |
| Spring (part.no.) | 00580-21 | |
| Spring preload | 13.5 +10/0 | mm |
| Spring rate | 75 | N/mm |
| Spring free length | 250 | mm |

| Recommended Free sag and Ride height | | |
|--------------------------------------|----|----|
| R1-R2 | | mm |
| R1-R3 | 81 | mm |
| F1-F2 | | mm |
| F1-F3 | 81 | mm |

Alternative springs

| Spring Part no | Spring rate (N/mm) | Load (most intended usage) |
|----------------|--------------------|-----------------------------|
| 20580-31 | 95 | Passenger or luggage >30 kg |



Öhlins products are subject to continuous improvement and development, therefore, although these instructions include the most up-to-date information available at the time of printing, minor updates may occur.

To find the latest information contact an Öhlins distributor. Please contact Öhlins if you have any questions regarding the contents in this document.

Part no. MI_YA819_0
Issued 2022-09-27

© Öhlins Racing AB. All rights reserved. Any reprinting or unauthorized use without the written permission of Öhlins Racing AB is prohibited.

Öhlins Racing AB
Box 722
S-194 27 Upplands Väsby, Sweden
Phone +46 8 590 025 00
fax +46 8 590 025 80



www.ohlins.com