

Kit Contents		
Description	Part No	Pcs
Shock	YA583	1
Tie-rod	00231-01	2
Screw M6x22	01046-05	2
Screw M6x12	01046-36	2
Screw M6x14	00382-16	1
Bracket	01165-26	1
Bracket	03102-21	1
Sticker set Öhlins		1
Owners manual	07241-02	1

**👁 Note!**

Please note that there can be small differences between your product and the images in these instructions.

**👁 Note!**

Please note that during storage and transport, especially at high ambient temperature, some of the oil and grease used for assembly may leak and stain the packaging. This will not cause damage to the product, wipe off the excessive oil or grease with a cloth.

**👁 Note!**

Before you install this product, check the kit contents. If anything is missing, please contact an Öhlins dealer.

**⚠ Warning!**

Before you install this product, read the Öhlins Owner's manual. This product is an important part of the vehicle and the vehicle stability.

## Shock absorber for Yamaha Tracer 9

# YA 583

## Mounting Instructions



# MOUNTING INSTRUCTIONS

## **⚠ Warning!**

*We strongly recommend to let an Öhlins dealer install this product.*

## **⚠ Warning!**

*If you work with a lifted vehicle, make sure that it is safely supported to prevent it from tipping over.*

## **👁 Note!**

*When you work with this product, see the vehicle service manual for vehicle specific procedures and important data.*

## **👁 Note!**

*Before you install this product clean the vehicle.*

**1**

Put the motorcycle on a work stand so that the rear wheel barely touches the ground.

**2**

Remove the front shock absorber attachment screw.

**3**

Remove the rear shock absorber attachment screw. Remove the original shock absorber.

**4**

Install the shock absorber with the valve down, hoses on the left side led towards the back of the vehicle (see figure). Install the rear shock absorber attachment first.

**5**

Install the front shock absorber attachment screw.

**6**

Remove the left passenger foot peg. Mount the supplied bracket between the foot peg and the frame (see figure).

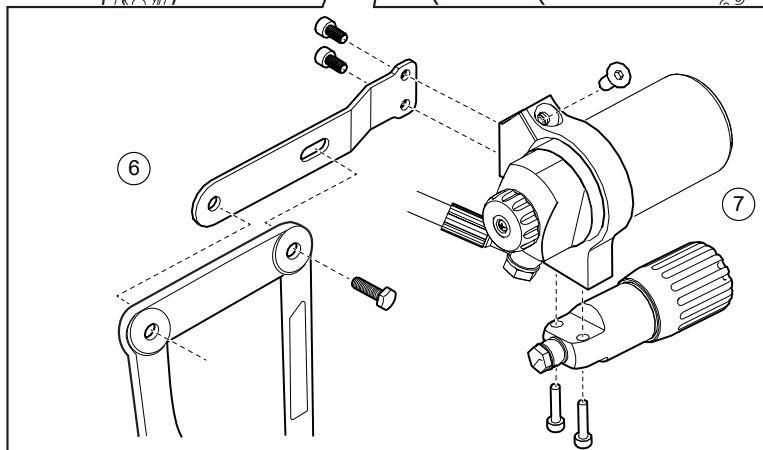
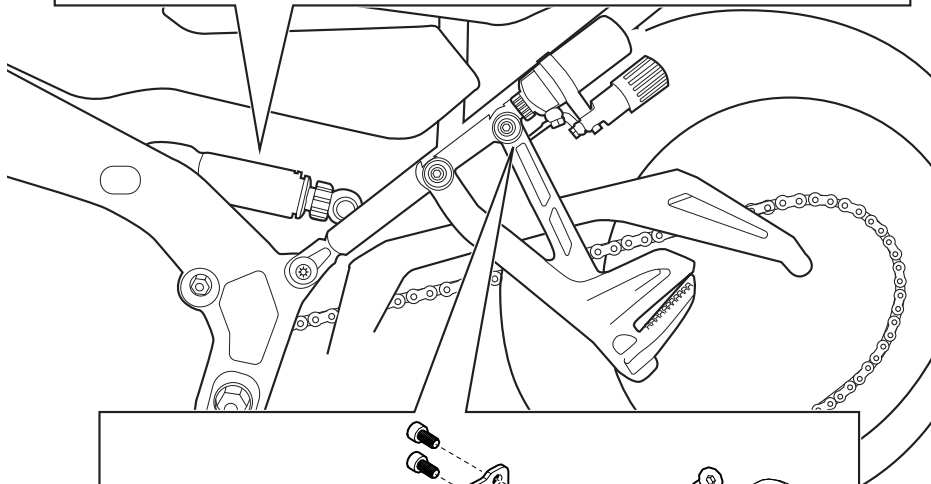
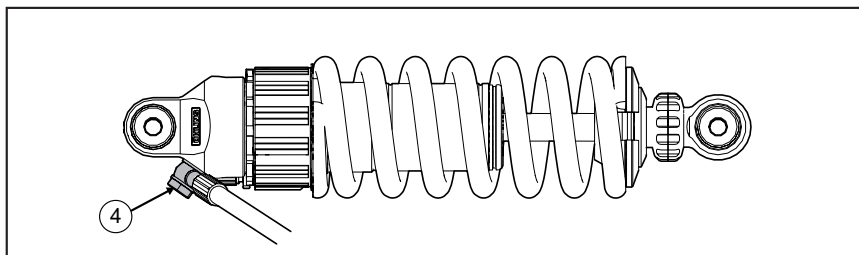
**7**

Install the pre-load adjuster and compression adjuster according to the figure. Use the supplied screws. Apply thread lock on the thread.

**8**

Fasten the hoses with cable ties if necessary. Make sure that the hoses runs without sharp bends and that the hose is not squeezed when the rear suspension is compressed or extended.

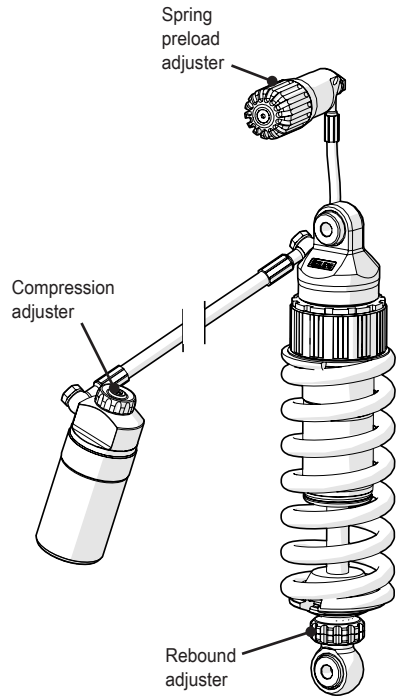
# MOUNTING INSTRUCTIONS



# ADJUSTMENTS

## **⚠ Warning!**

*Before you ride/drive, always make sure that the setup is according to the recommended setup data. Read about adjustments and setting up in the Öhlins Owner's Manual before you make any adjustments. Contact an Öhlins dealer if you have any questions about setting up.*



# SETUP DATA

Length	327	mm
Stroke	71.5	mm
Rebound	16	clicks
Compression	10	clicks
Spring preload	9	mm
Spring	01096-41	
Spring rate	115	N/mm
Spring free length	190	mm

Öhlins products are subject to continuous improvement and development, therefore, although these instructions include the most up-to-date information available at the time of printing, minor updates may occur.

To find the latest information contact an Öhlins distributor. Please contact Öhlins if you have any questions regarding the contents in this document.

Part no. MI\_YA583\_0  
Issued 2021-11-24

© Öhlins Racing AB. All rights reserved. Any reprinting or unauthorized use without the written permission of Öhlins Racing AB is prohibited.

Öhlins Racing AB  
Box 722  
S-194 27 Upplands Väsby, Sweden  
Phone +46 8 590 025 00  
fax +46 8 590 025 80



[www.ohlins.com](http://www.ohlins.com)