

**Note!**

Before installing this product, check the contents of the kit. If anything is missing, please check an Öhlins dealer.

**Kit Contents**

Description	Part No	Pcs
Shock absorber	RE 907	1
Bracket	01165-19	1
Sleeve 7/13.9-19	61123-17	1
Screw M8x75	00429-31	1
Screw M8x45	01046-49	1
Screw M6x25	01046-17	2
Screw M6x30	01046-02	1
Washer 8.4/15/1.6	00426-06	2
Washer 6.4/12.5/1.6	00426-07	1
Nut M8	00430-05	1
Nut M6	00430-02	2
Sticker set"ÖHLINS"	10207-01	1
Owners manual road & track	07241-02	1

**Note!**

Please note that this image is a general representation of the product and may differ slightly from your product.

**Note!**

Please note that during storage and transportation, especially at high ambient temperature, some of the oil and grease used for assembling may leak and stain the packaging. This is in no way detrimental to the product, wipe off the excessive oil/grease with a cloth.

**Warning!**

Before installing this product, read the Öhlins Owner's Manual. The shock absorber is an important part of your vehicle and will affect the stability.

## Shock Absorber for Royal Enfield Himalayan

# RE 907

## Mounting Instructions



# MOUNTING INSTRUCTIONS

## **⚠ Warning!**

*It is advisable to have an Öhlins dealer install the shock absorber.*

## **⚠ Warning!**

*If working on a raised vehicle, ensure it is securely supported so that it will not tip over.*

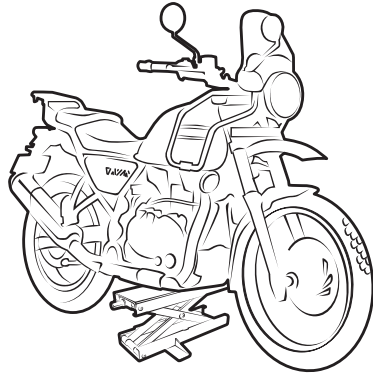
## **👁 Note!**

*Before mounting this product clean the vehicle thoroughly.*

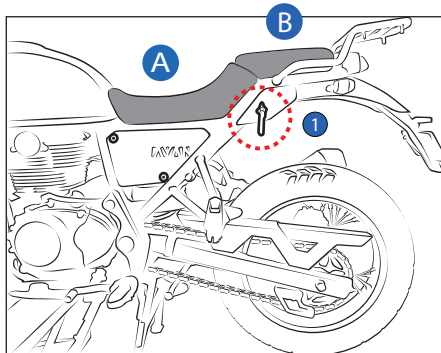
## **👁 Note!**

*When working on this product, always see the Vehicle Service Manual for vehicle specific procedures and important data.*

- 1 Put the motorcycle on a work stand so that the rear wheel barely touches the ground. Make sure the motorcycle is in a stable position.



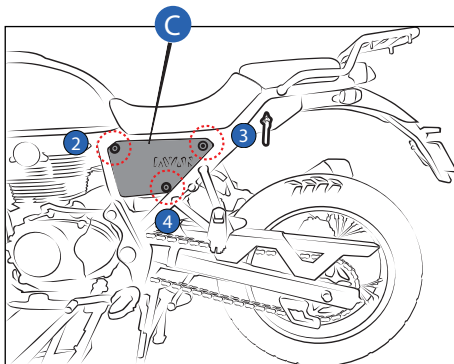
- 2 Remove the seats **A** **B** by using the ignition key **1**



# MOUNTING INSTRUCTIONS

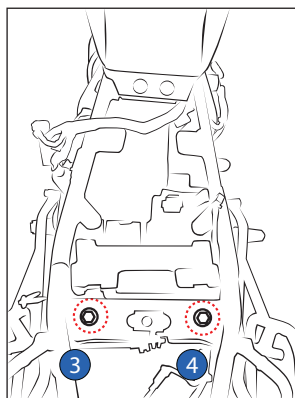
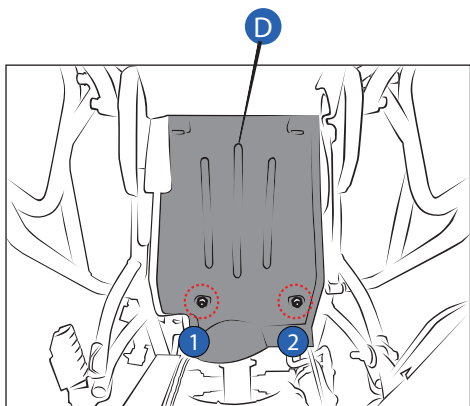
3

Remove the plastic cover © for both LH and RH by loosening the screws ②③④



4

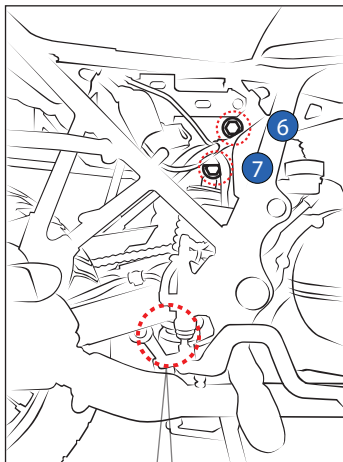
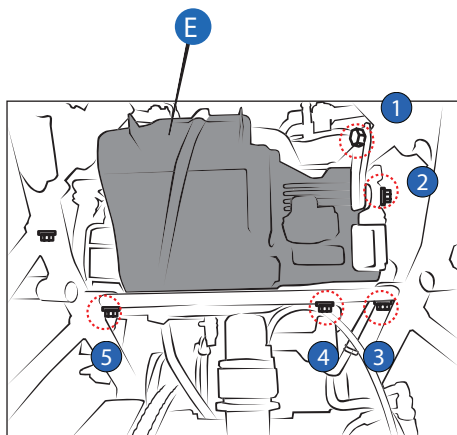
Remove the rear mudguard © by loosening the screws ①② and ③④



# MOUNTING INSTRUCTIONS

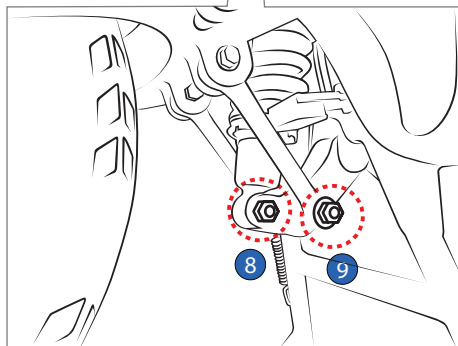
5

Dislocate the air box filter ⑥ by loosening the screws ①②③④⑤⑥ and then disconnect the wiring harness



6

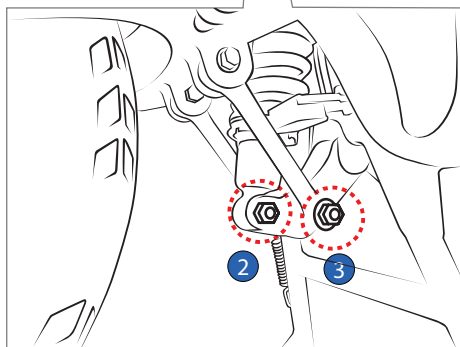
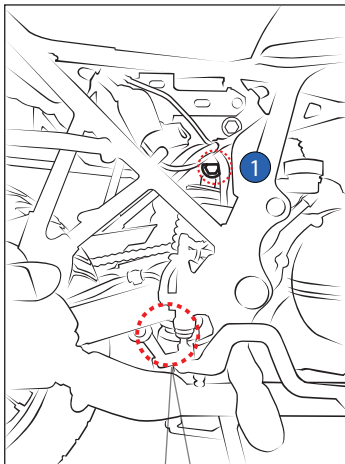
Remove the standard shock absorber by loosening the upper mounting ⑦ and the lower mounting bolts ⑧⑨



# MOUNTING INSTRUCTIONS

7

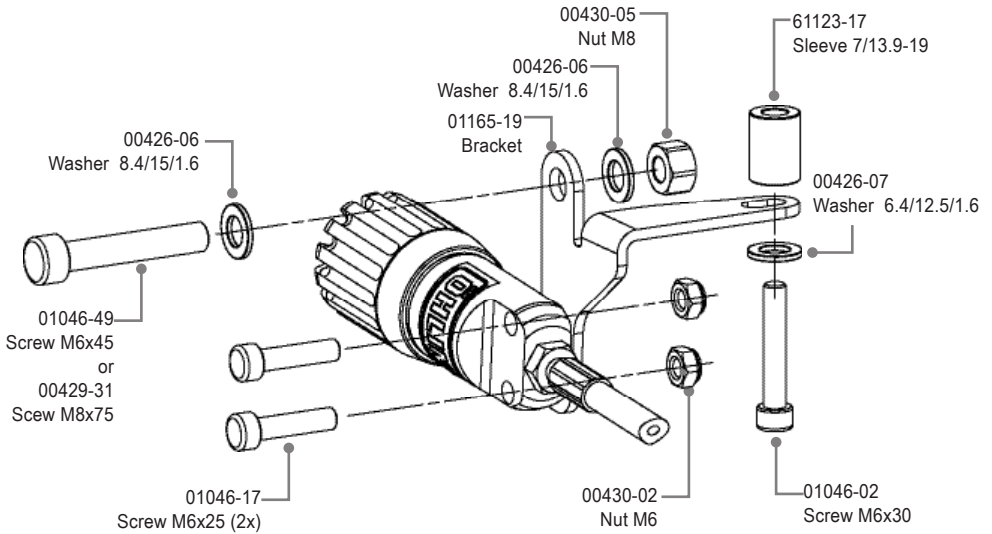
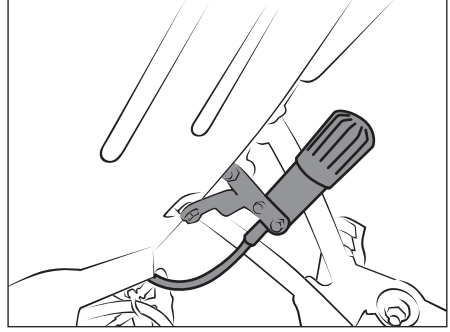
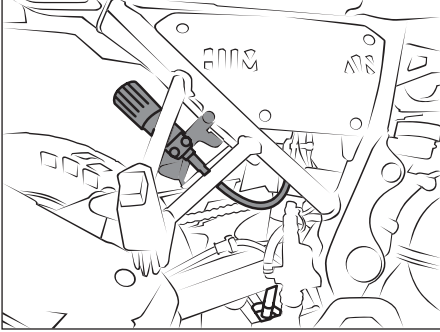
Install the Öhlins shock absorber with the gas filling valve pointing forward. Tighten the upper ① and the lower ②③ mounting bolts at a torque value as specified in the vehicle service manual.



# MOUNTING INSTRUCTIONS

8

Install the hydraulic preload adjuster into the bracket by following the diagram below.



## **Note!**

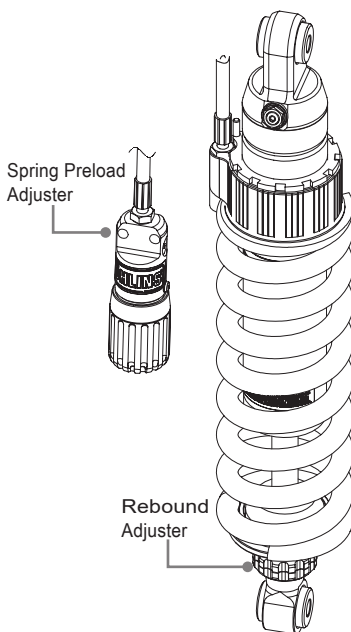
*The screw 00429-31 can be used alternatively in case the bike has a rack for saddlebags*

This page intentionally left blank

# ADJUSTMENTS

## **⚠ Warning!**

*Before riding, always make sure that the basic settings made by Öhlins are according to recommended Set-up Data. Read about adjustments and setting up in the Öhlins Owner's Manual before you make any adjustments. Contact an Öhlins dealer if you have any questions about setting up.*



## SET-UP DATA

### Recommended set-up

Spring Preload..... 3 mm.  
Rebound adjuster ..... 16 Clicks

### Shock absorber data

Length ..... 409 mm.  
Stroke ..... 86 mm.

### Spring

### Installed spring

Part No ..... 60011-41  
Free spring length... 230 mm.  
Spring rate..... 115 N/mm  
Preload adj.range.... [0-11] mm

👁 Öhlins products are subject to continuous improvement and development, therefore, although these instructions include the most up-to-date information available at the time of printing, minor updates may occur.

To find the latest information contact an Öhlins distributor. Please contact Öhlins if you have any questions regarding the contents in this document.

Part no. MI\_RE 907\_EN\_1  
Issued 2020-02-05

© Öhlins Asia Co. Ltd. All rights reserved. Any reprinting or unauthorized use without the written permission of Öhlins Racing AB is prohibited.

Öhlins Asia Co. Ltd  
700/937 Moo5, Tambol Nongkhaga,  
Amphur Phantong, Chonburi Province  
20160 Thailand



[www.ohlins.com](http://www.ohlins.com)