

Kit Contents

Description	Part No	Pcs
Shock absorber	DU580	1
Tie rap	00231-01	2
Screw M8x40	01046-21	1
Sticker set	10207-01	1
Sticker Memo notes	01180-01	1
Owner's manual	07241-02	1

Note!

Please note that there can be small differences between your product and the images in these instructions.

Note!

Please note that during storage and transport, especially at high ambient temperature, some of the oil and grease used for assembly may leak and stain the packaging. This will not cause damage to the product, wipe off the excessive oil or grease with a cloth.

Note!

Before you install this product, check the kit contents. If anything is missing, please contact an Öhlins dealer.

Warning!

Before you install this product, read the Öhlins Owner's manual. This product is an important part of the vehicle and the vehicle stability.

Shock absorber for Ducati Desert X

DU 580

Mounting Instructions

MOUNTING INSTRUCTIONS

⚠ Warning!

We strongly recommend to let an Öhlins dealer install this product.

⚠ Warning!

If you work with a lifted vehicle, make sure that it is safely supported to prevent it from tipping over.

👁 Note!

When you work with this product, see the vehicle service manual for vehicle specific procedures and important data.

👁 Note!

Before you install this product clean the vehicle.

1

Put the motorcycle on a work stand so that the rear wheel is up in the air and put a support under the rear wheel.

2

Remove the lower shock absorber screw.

3

Remove the upper shock absorber screw.
Lower the swing arm and remove the shock absorber.

MOUNTING INSTRUCTIONS

4

Mount the Öhlins shock absorber in reverse order.

5

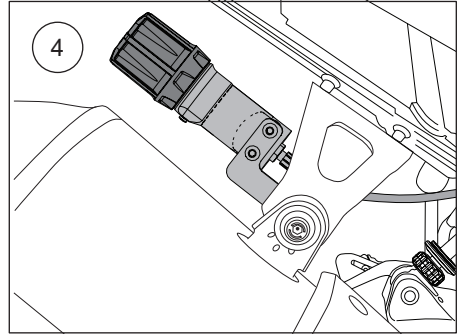
Mount the hydraulic preload master cylinder on the inside of the silencer mount. Use the supplied screw (01046-21). Keep original washers against the silencer bracket.

6

Use supplied Tie-raps (00231-01) to fasten the hose.

7

Before riding the bike, check that all screws are tightened correctly and that there are no clearance issues when the rear suspension is moving.



ADJUSTMENTS

⚠ Warning!

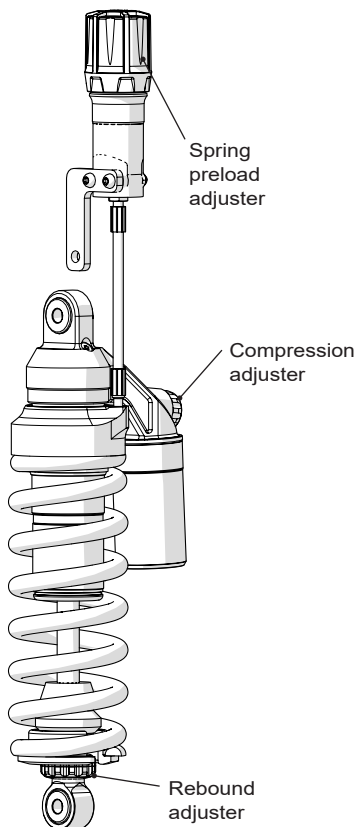
Before you ride/drive, always make sure that the setup is according to the recommended setup data. Read about adjustments and setting up in the Öhlins Owner's Manual before you make any adjustments. Contact an Öhlins dealer if you have any questions about setting up.

SETUP DATA

Length	351	mm
Stroke	94.5	mm
Rebound	12	clicks
Compression	12	clicks
Spring (part.no.)	01099-34	
Spring preload	5 +10/-0	mm
Spring rate	100	N/mm
Spring free length	220	mm

Recommended Free sag and Ride height

R1-R2		mm
R1-R3	71	mm
F1-F2		mm
F1-F3	72	mm



Öhlins products are subject to continuous improvement and development, therefore, although these instructions include the most up-to-date information available at the time of printing, minor updates may occur.

To find the latest information contact an Öhlins distributor. Please contact Öhlins if you have any questions regarding the contents in this document.

Part no. MI_DU580_0
Issued 2023-07-03

© Öhlins Racing AB. All rights reserved. Any reprinting or unauthorized use without the written permission of Öhlins Racing AB is prohibited.

Öhlins Racing AB
Box 722
S-194 27 Upplands Väsby, Sweden
Phone +46 8 590 025 00
fax +46 8 590 025 80



www.ohlins.com