

Note!

Before installing this product, check the contents of the kit. If anything is missing, please check an Öhlins dealer.

Kit Contents

Description	Part No	Pcs
Shock absorber	YA 942	1
Bracket, reservoir	60006-26	1
Clamp bracket	03102-15	1
Screw M6x12	01046-36	2
Screw M6x14	00382-16	1
C-spanner	60710-01	2
Sticker set "ÖHLINS"	10207-01	1
Owner's Manual	07241-02	1

Note!

Please note that this image is a general representation of the product and may differ slightly from your product.

Note!

Please note that during storage and transportation, especially at high ambient temperature, some of the oil and grease used for assembling may leak and stain the packaging. This is in no way detrimental to the product, wipe off the excessive oil/grease with a cloth.

Warning!

Before installing this product, read the Öhlins Owner's Manual. The shock absorber is an important part of your vehicle and will affect the stability.

Shock Absorber for YAMAHA XSR155

YA 942

Mounting Instructions



MOUNTING INSTRUCTIONS

⚠ Warning!

It is advisable to have an Öhlins dealer install the shock absorber.

⚠ Warning!

If working on a raised vehicle, ensure it is securely supported so that it will not tip over.

👁 Note!

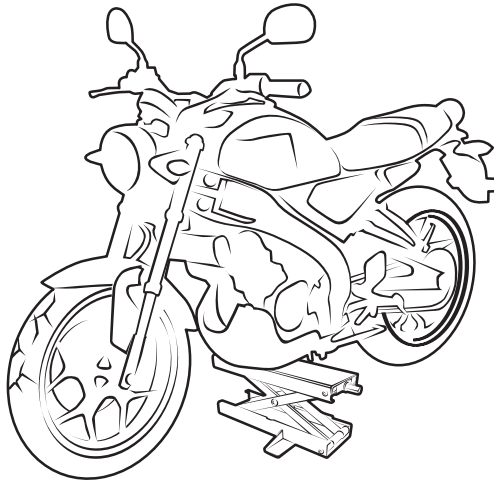
Before mounting this product clean the vehicle thoroughly.

👁 Note!

When working on this product, always see the Vehicle Service Manual for vehicle specific procedures and important data.

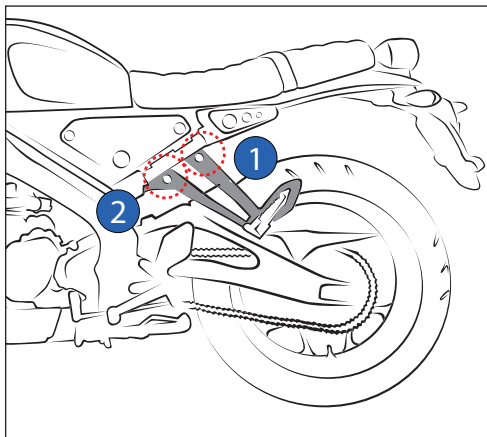
1

Put the motorcycle on a work stand so that the rear wheel barely touches the ground. Make sure the motorcycle is in a stable position.



2

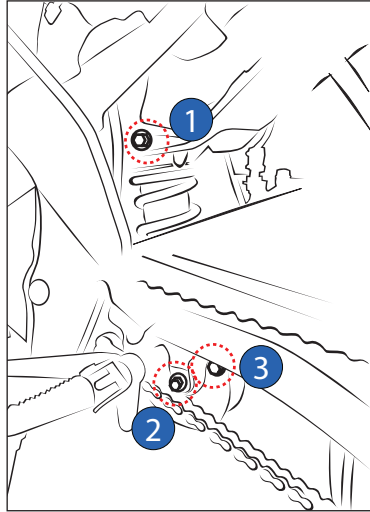
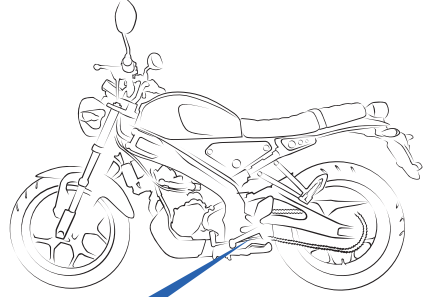
Remove the left side footpeg by loosening the screws ① ②



MOUNTING INSTRUCTIONS

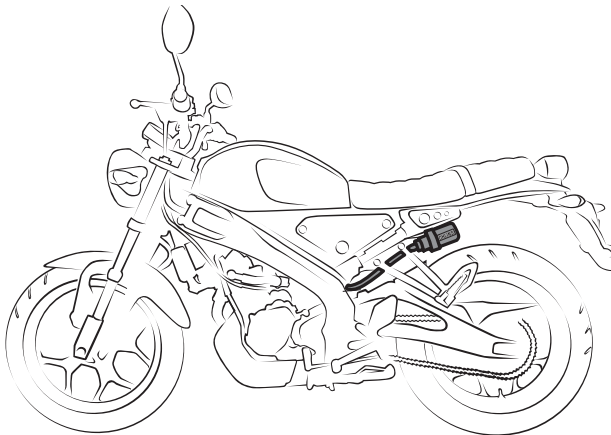
3

Remove the standard shock absorber by loosening the upper mounting bolt ① and the lower mounting bolts ② and ③ from the linkage.



4.

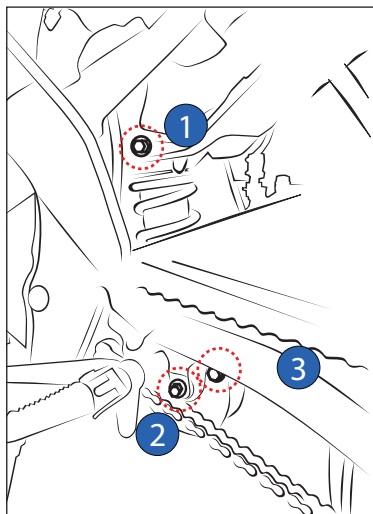
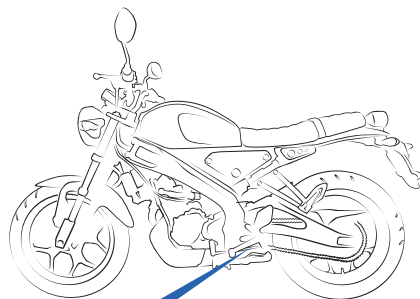
Rout the reservoir hose to the left side of the motorcycle.



MOUNTING INSTRUCTIONS

5

Install the Öhlins shock absorber with the hose pointing towards the front of the motorcycle. Tighten the upper ① and the lower mounting bolts ② and ③ at a torque value as specified in the vehicle service manual.



MOUNTING INSTRUCTIONS

6

Install the reservoir into the bracket as per diagram P1 :

6.1 Slide the reservoir into the clamp bracket

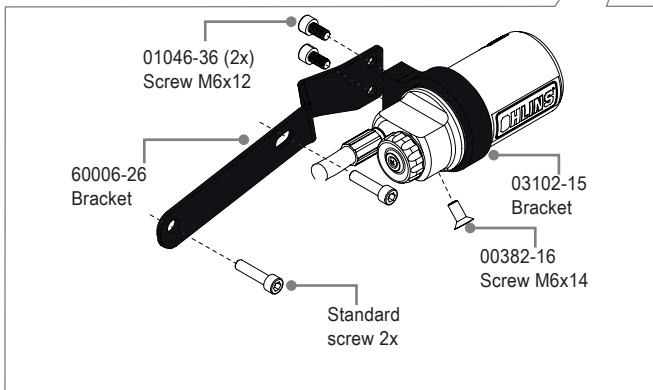
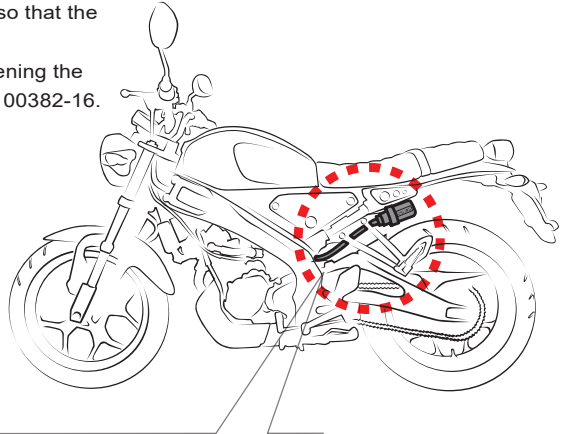
03102-15. Do not tighten yet.

6.2 Tighten the bracket 60006-26 in between the rear sub-frame and the foot peg, by using the standard screws.

6.3 Adjust the reservoir and hose position so that the hose is not touching any motorcycle parts.

6.4 Lock the reservoir in position and tightening the clamp bracket 03102-15 by using the screw 00382-16.

Reverse all the procedure as necessary.



Note!

Lower the vehicle so that the suspension is slightly compressed before tightening the screws.

Caution!

Ensure that all screws are tightened to the correct torque and that nothing fouls or restricts movement of the shock absorber when the suspension is fully compressed or extended.

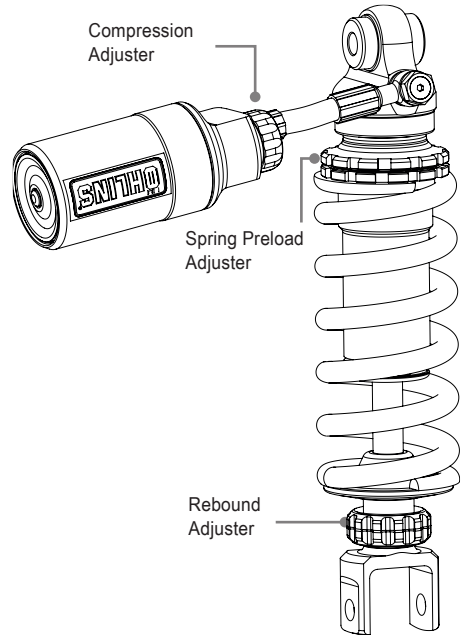
This page intentionally left blank

This page intentionally left blank

ADJUSTMENTS

⚠ Warning!

Before riding, always make sure that the basic settings made by Öhlins are according to recommended Set-up Data. Read about adjustments and setting up in the Öhlins Owner's Manual before you make any adjustments. Contact an Öhlins dealer if you have any questions about setting up.



SET-UP DATA

Recommended set-up

Spring Preload..... 11 mm
Compression adjuster..... 15 Clicks
Rebound adjuster..... 14 Clicks

Shock absorber data

Length 265 mm
Stroke 50 mm

Spring

Part No 60282-12
Free spring length..... 155 mm
Spring rate..... 100 N/mm
Preload adjustment range.... [5-19] mm

👁 Öhlins products are subject to continuous improvement and development, therefore, although these instructions include the most up-to-date information available at the time of printing, minor updates may occur.

To find the latest information contact an Öhlins distributor. Please contact Öhlins if you have any questions regarding the contents in this document.

Part no. MI_YA 942_EN_0
Issued 2020-01-07

© Öhlins Asia Co. Ltd. All rights reserved. Any reprinting or unauthorized use without the written permission of Öhlins Racing AB is prohibited.

Öhlins Asia Co. Ltd
700/937 Moo5, Tambol Nongkhaga,
Amphur Phantong, Chonburi Province
20160 Thailand



www.ohlins.com