



**FITTING INSTRUCTIONS FOR FP0240 FORK PROTECTORS  
TO FIT HONDA CBR1000RR-R SP 2020-**



**This kit contains the items pictured and labelled over page.  
Some parts may be shown for clarity of instructions only.  
Do not proceed until you are sure all parts are present.  
Please read all instructions before proceeding.**

**IF IN ANY DOUBT WHEN FITTING OUR PRODUCTS, CONSULT ONE OF OUR DEALERS  
OR HAVE FITTED BY A QUALIFIED TECHNICIAN.**

Please note that the way the kit is packed does not necessarily represent the way of mounting to the bike.

In the event of rubber washers being used to hold components onto bolts, these rubber washers can be thrown away.

**DIGITAL COPIES OF THESE INSTRUCTIONS ARE AVAILABLE FROM**

**[WWW.RG-RACING.COM](http://WWW.RG-RACING.COM)**

R&G

Unit 1, Shelley's Lane, East Worldham, Alton, Hampshire, GU34 3AQ  
Tel: +44 (0)1420 89007 Fax: +44 (0)1420 87301 [www.rg-racing.com](http://www.rg-racing.com) Email: [info@rg-racing.com](mailto:info@rg-racing.com)



<b><u>TOOLS REQUIRED</u></b>	<b><u>GENERAL TORQUE SETTINGS</u></b>
<ul style="list-style-type: none"> <li>• Socket Set to Include 2 x 13mm sockets and wrenches.               <ul style="list-style-type: none"> <li>• 24mm socket</li> </ul> </li> <li>• Thread locking compound</li> </ul>	<p>M4 BOLT = 8Nm</p> <p>M5 BOLT = 12Nm</p> <p>M6 BOLT = 15Nm</p> <p>M8 BOLT = 20Nm</p> <p>M10 BOLT = 40Nm</p> <p>M12 BOLT = 40Nm</p>

### **LEGEND**

<b>ITEM No.</b>	<b>DESCRIPTION</b>	<b>QTY</b>
ITEM 1	SB150 SPINDLE BAR (M8 x 305mm LONG)	1
ITEM 2	B0442 M8 CRASH PROTECTOR (BOTH SIDES)	2
ITEM 3	H0003 REPLACEMENT SPINDLE NUT	1
ITEM 4	S0396 LEFT-HAND-SIDE CRASH PROTECTOR SPACER	1
ITEM 5	S1026 RIGHT-HAND-SIDE CRASH PROTECTOR SPACER	1
ITEM 6	M8 WASHER	2
ITEM 7	M8 NYLOC NUT	2

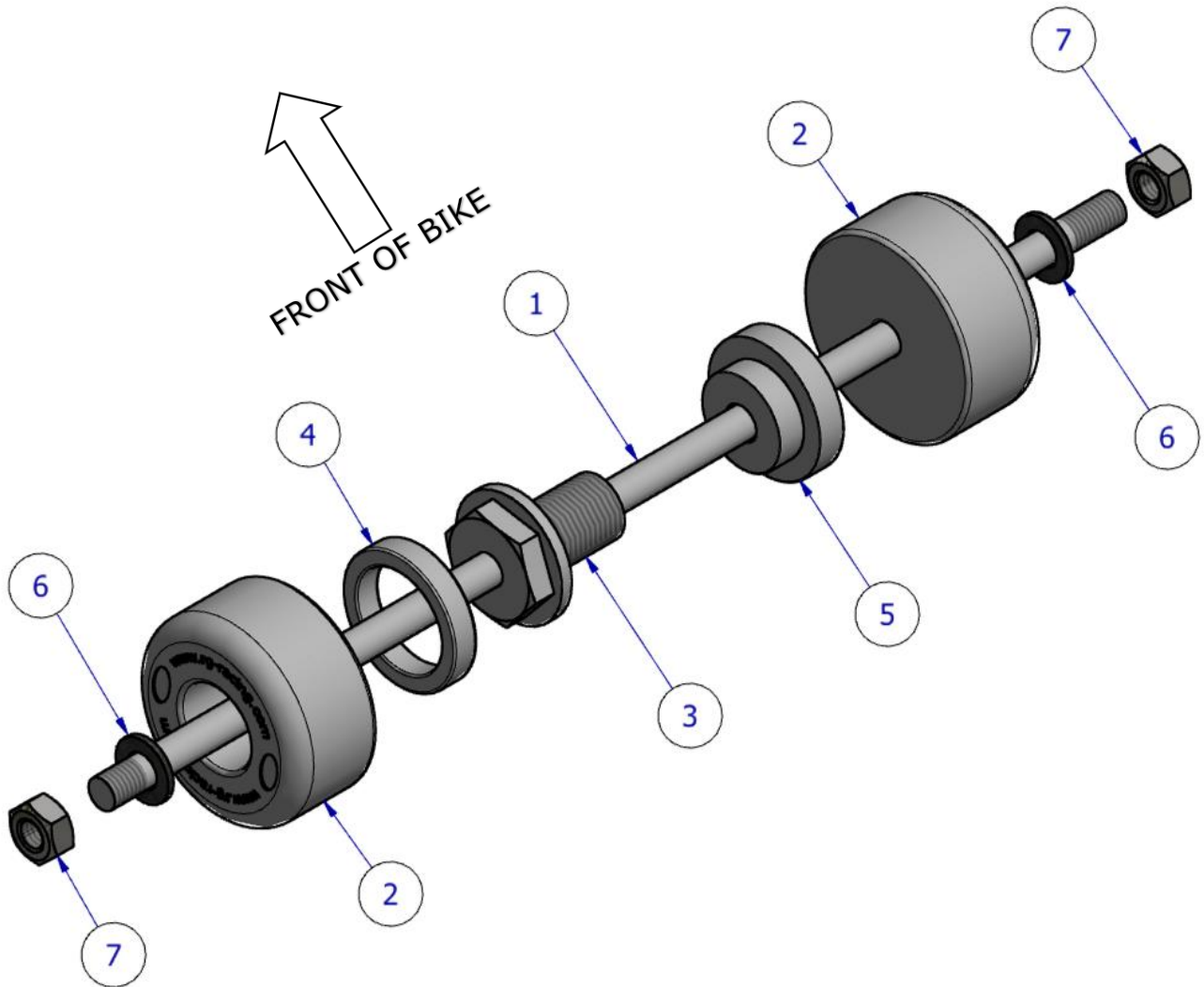
R&G

Unit 1, Shelley's Lane, East Worldham, Alton, Hampshire, GU34 3AQ

Tel: +44 (0)1420 89007 Fax: +44 (0)1420 87301 [www.rg-racing.com](http://www.rg-racing.com) Email: [info@rg-racing.com](mailto:info@rg-racing.com)



### **ASSEMBLY DIAGRAM**



### **FITTING INSTRUCTIONS**

- Remove the OEM spindle nut from the left-hand side of the bike and replace with new one supplied in kit (**Item 3**).
- Fit one nut (**item 7**) and one washer (**item 6**) to the spindle bar (**item 1**), engaging the nut so the plastic insert of the nut is fully engaged so the bar protrudes by 1 or 2 threads. It is recommended to use a small amount of superglue or Loctite to fix this nut as this will aid when tightening the opposite side later.
- Place the ring type spacer (**item 4**) over the hexagon of the replacement spindle nut just fitted.

R&G

Unit 1, Shelley's Lane, East Worldham, Alton, Hampshire, GU34 3AQ

Tel: +44 (0)1420 89007 Fax: +44 (0)1420 87301 [www.rg-racing.com](http://www.rg-racing.com) Email: [info@rg-racing.com](mailto:info@rg-racing.com)



- Feed spindle-bar with nut and washer through one crash protector (**Item 2**) and into the front wheel spindle from the left-hand side so nut sits into recess of the crash protector as shown in the assembly diagram.
- Place the remaining stepped spacer (**Item 5**) over the exposed thread on the right-hand side so it locates into the internal hex on the spindle.
- Place remaining crash protector over exposed end of spindle-bar.
- Fit the remaining washer (**item 6**) and nut (**item 7**) from kit onto the exposed thread.
- Tighten the nut on both sides evenly using two 13mm sockets and ensure that the plastic insert of both nuts is fully engaged, and the protruding threads are equal on both sides.
- Do not overtighten – the nyloc nuts will hold it tight.
- Check the fork protectors are secure and held firmly against the spacers and do not spin freely.
- After riding the bike, check the tightness of the nuts regularly (e.g. when cleaning the bike).

ISSUE 1 07/11/2020 (DM)

#### CONSUMER NOTICE

The catalogue description and any exhibition of samples are only broad indications of the Products and R&G may make design changes which do not diminish their performance or visual appeal and supplying them in such state shall conform to the order. The Buyer acknowledges no representation or warranty (other than as to title) has been given or will apply to the Products other than those in R&G's order or confirmation and the Buyer confirms it has chosen the Products as being of merchantable quality and suitable for its particular purposes. Where R&G fits the Products or undertakes other services it shall exercise reasonable skill and care and rectify any fault free of charge unless the workmanship has been disturbed. The Buyer is responsible for ensuring that the warranty on the motorcycle is not affected by the fitting of the Products. On return of any defective Products R&G shall at its option either supply a replacement or refund the purchase money but shall not be liable if the Products have been modified or used or maintained otherwise than in accordance with R&G's or manufacturer's instructions and good engineering practice or if the defect arises from accident or neglect. Other than identified above and subject to R&G not limiting its liability for causing death and personal injury, it shall not be liable for indirect or consequential loss and otherwise its liability shall be limited to the amounts paid by the Buyer for the Products or the fitting or service concerned. These terms do not affect the Buyer's statutory rights.

#### **R&G RACING RETURNS POLICY (NON-FAULTY GOODS)**

Returns must be pre-authorized (if not pre-authorized the return will be rejected). Goods may only be returned direct to us if they were purchased direct from us (customer must prove if necessary). Otherwise to be returned to original vendor. Goods must be in re-sellable condition, in the opinion of R&G Racing. All returns are subject to a 25% restocking and handling fee (25% of the gross value exc. P&P – at the prevailing price at time of purchase). The customer must pay any and all carriage charges. No returns of discontinued products, unless within 14 days of purchase. This policy does not affect your statutory rights and does not refer to faulty goods.

R&G

Unit 1, Shelley's Lane, East Worldham, Alton, Hampshire, GU34 3AQ

Tel: +44 (0)1420 89007 Fax: +44 (0)1420 87301 [www.rg-racing.com](http://www.rg-racing.com) Email: [info@rg-racing.com](mailto:info@rg-racing.com)



**NOTICE DE MONTAGE POUR FP0240 PROTECTIONS FOURCHE  
POUR HONDA CBR1000RR-R SP 2020-**



**CE KIT CONTIENT LES ARTICLES ILLUSTRÉS ET ÉTIQUETES SUR LA PAGE.**

CERTAINES PARTIES PEUVENT ÊTRE PRÉSENTES UNIQUEMENT POUR LA CLARTÉ DES INSTRUCTIONS.

NE PAS PROCÉDER AU MONTAGE TANT QUE VOUS N'ÊTES PAS SÛR QUE TOUTES LES PIÈCES SOIENT PRÉSENTES.

**VEUILLEZ LIRE TOUTES LES INSTRUCTIONS AVANT DE CONTINUER.**

**EN CAS DE DOUTE LORS DU MONTAGE DE NOS PRODUITS, CONSULTEZ UN DE NOS REVENDEURS OU FAITES APPEL À UN TECHNICIEN QUALIFIÉ.**

VEUILLEZ NOTER QUE LA FAÇON DONT LE KIT EST EMBALLÉ NE REPRÉSENTE PAS NECESSAIREMENT LA MANIÈRE DE LE MONTER SUR LA MOTO.

SI DES RONDELLES EN CAOUTCHOUC SONT UTILISÉES POUR MAINTENIR LES COMPOSANTS SUR LES BOULONS, ELLES PEUVENT ÊTRE JETÉES.

**NOTICE DISPONIBLE AU TÉLÉCHARGEMENT SUR : [WWW.RG-RACING.COM](http://WWW.RG-RACING.COM)**

R&G

Unit 1, Shelley's Lane, East Worldham, Alton, Hampshire, GU34 3AQ  
Tel: +44 (0)1420 89007 Fax: +44 (0)1420 87301 [www.rg-racing.com](http://www.rg-racing.com) Email: [info@rg-racing.com](mailto:info@rg-racing.com)



<b><u>OUTILS REQUIS</u></b>	<b><u>VALEURS DE SERRAGE</u></b>
<ul style="list-style-type: none"> <li>• Clé à cliquet + douilles 2 x 13mm.               <ul style="list-style-type: none"> <li>• Clé à molette 24mm</li> </ul> </li> <li>• Composé de blocage de filetage</li> </ul>	M4 BOULON = 8Nm M5 BOULON = 12Nm M6 BOULON = 15Nm M8 BOULON = 20Nm M10 BOULON = 40Nm M12 BOULON = 40Nm

### **LÉGENDE**

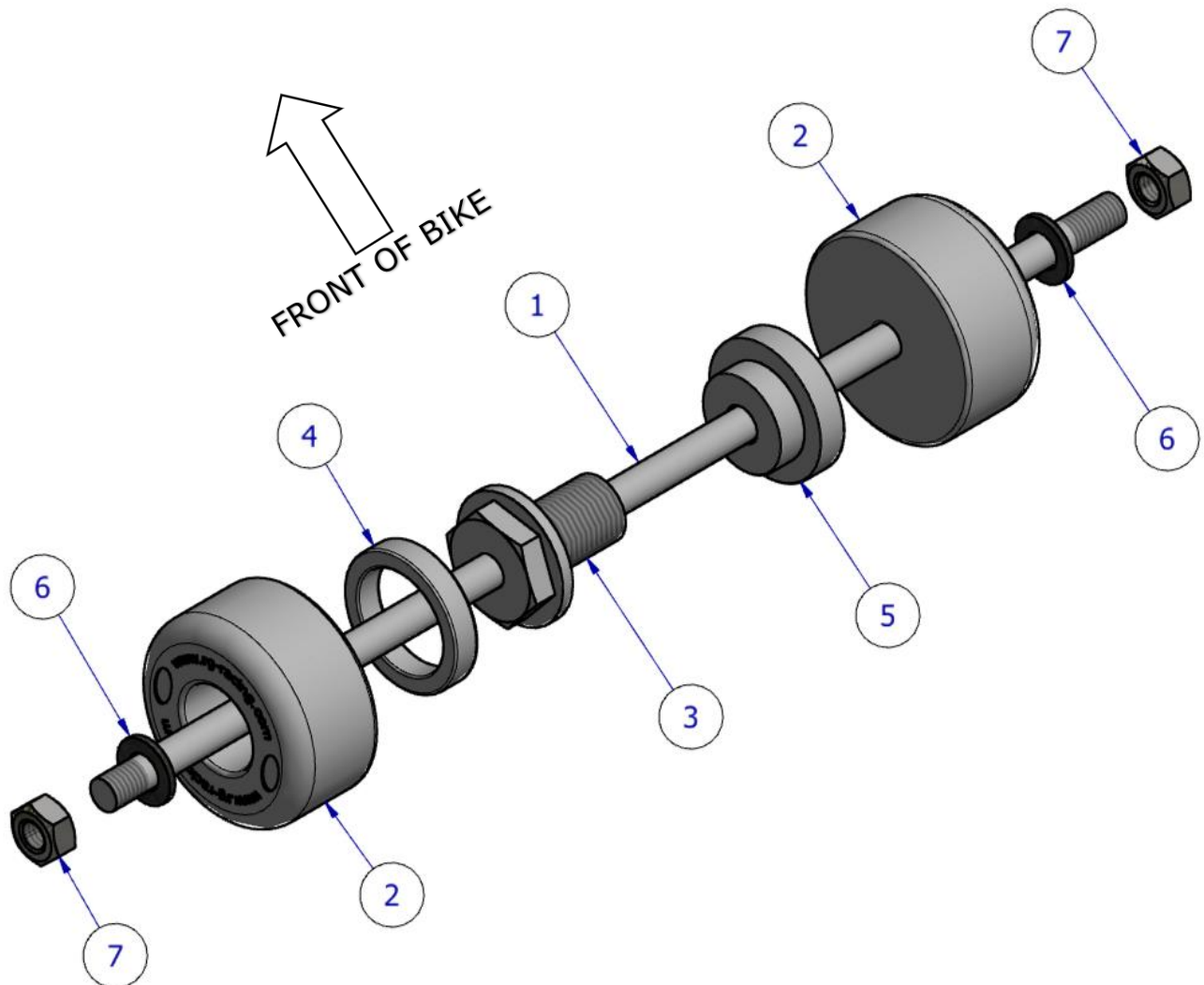
<b>ARTICLE No.</b>	<b>DESCRIPTION</b>	<b>QTÉ</b>
ARTICLE 1	SB150 AXE MOYEU (M8 x 305mm LONG)	1
ARTICLE 2	B0442 M8 PROTECTION CRASH (BOTH SIDES)	2
ARTICLE 3	H0003 ÉCROU DE REMPLACEMENT	1
ARTICLE 4	S0396 ENTRETOISE DE PROTECTION CRASH CÔTÉ GAUCHE	1
ARTICLE 5	S1026 ENTRETOISE DE PROTECTION CRASH CÔTÉ DROIT	1
ARTICLE 6	M8 RONDELLE	2
ARTICLE 7	M8 ÉCROU	2

R&G

Unit 1, Shelley's Lane, East Worldham, Alton, Hampshire, GU34 3AQ  
 Tel: +44 (0)1420 89007 Fax: +44 (0)1420 87301 [www.rg-racing.com](http://www.rg-racing.com) Email: [info@rg-racing.com](mailto:info@rg-racing.com)



## SCHÉMA DE MONTAGE



## NOTICE DE MONTAGE

- Retirer l'écrou d'axe d'origine du côté gauche de la moto et le remplacer par un neuf fourni dans le kit (Article 3).
- Montez un écrou (article 7) et une rondelle (article 6) sur l'axe (article 1), en engageant l'écrou de sorte que l'insert en plastique de l'écrou soit complètement engagé de sorte que l'axe dépasse de 1 ou 2 filets. Il est recommandé d'utiliser une petite quantité de superglue ou de Loctite pour fixer cet écrou car cela facilitera le serrage du côté opposé plus tard.
- Placer l'entretoise de type anneau (article 4) sur l'hexagone de l'écrou d'axe de rechange qui vient d'être monté.

R&G

Unit 1, Shelley's Lane, East Worldham, Alton, Hampshire, GU34 3AQ  
 Tel: +44 (0)1420 89007 Fax: +44 (0)1420 87301 [www.rg-racing.com](http://www.rg-racing.com) Email: [info@rg-racing.com](mailto:info@rg-racing.com)



- Faire passer l'axe avec l'écrou et la rondelle à travers une protection crash (article 2) et dans l'axe de roue avant du côté gauche afin que l'écrou se loge dans le renforcement de la protection crash comme indiqué sur le schéma de montage.
- Placer l'entretoise restante (article 5) sur le filetage exposé du côté droit de manière à ce qu'elle se place dans l'hexagone interne de l'axe.
- Placez l'autre protection crash sur l'extrémité exposée de l'axe.
- Monter la rondelle (article 6) et l'écrou (article 7) restants du kit sur le filetage exposé.
- Serrez l'écrou des deux côtés de façon égale à l'aide de deux douilles de 13mm et assurez-vous que l'insert en plastique des deux écrous soit complètement engagé et que les filets qui dépassent soient égaux des deux côtés.
- Ne serrez pas excessivement - les écrous nyloc fixeront l'ensemble.
- Vérifiez que les protections fourche soient sécurisés et maintenues fermement contre les entretoises et ne tournent pas librement.
- Après avoir fait de la moto, vérifiez régulièrement le serrage des écrous (par exemple lors du nettoyage de la moto).

ISSUE 1 07/11/2020 (DM)