

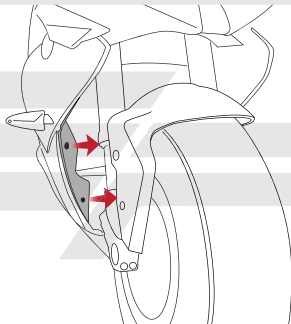


BMW S1000 RR - 2010 ONWARDS
OIL COOLER GUARD

Product Reference - 8185

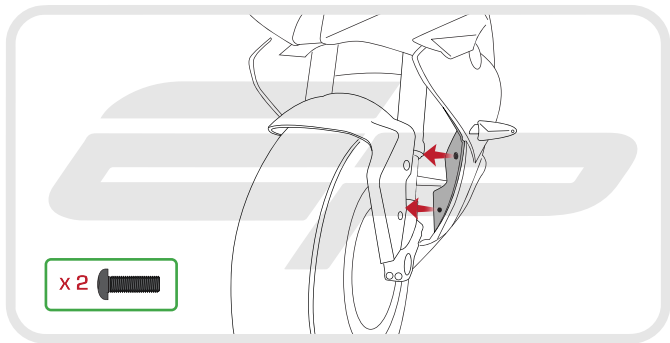
Kit Contents

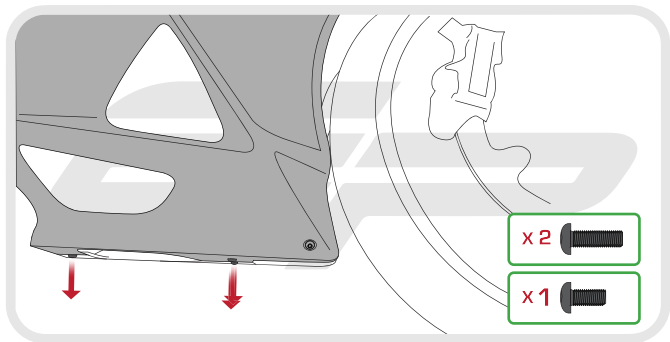
- (A)** 1 x Oil Cooler Guard
- (B)** 1 x Neoprene Foam

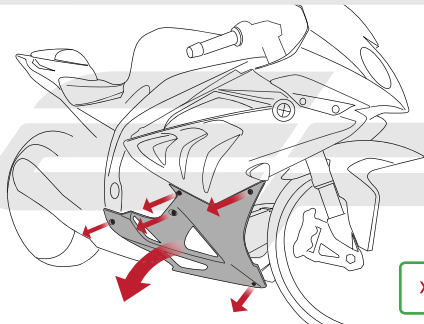


x 2







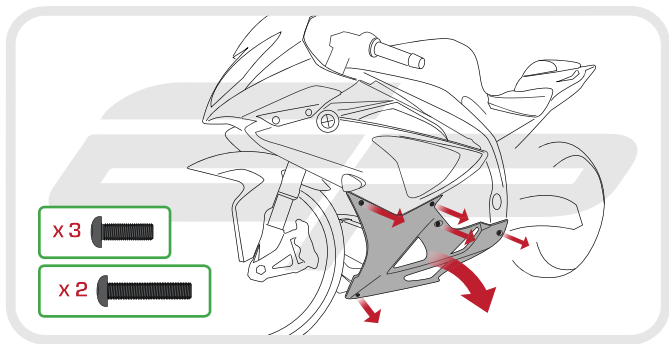


x3



x2



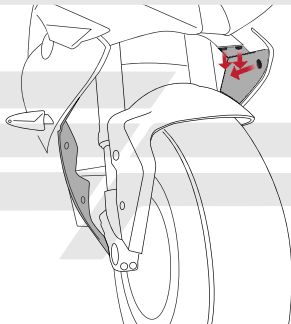


x 3



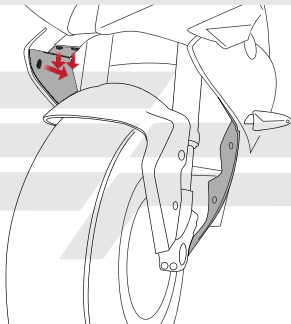
x 2





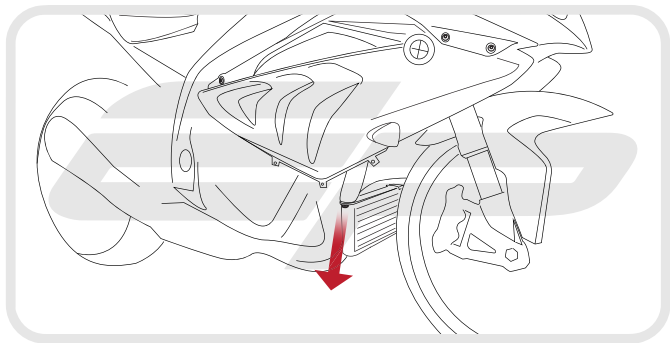
x3

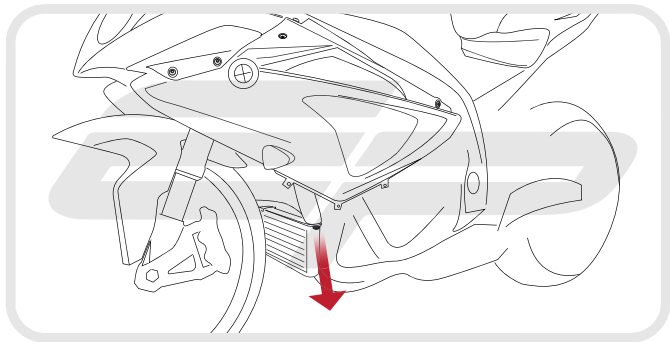




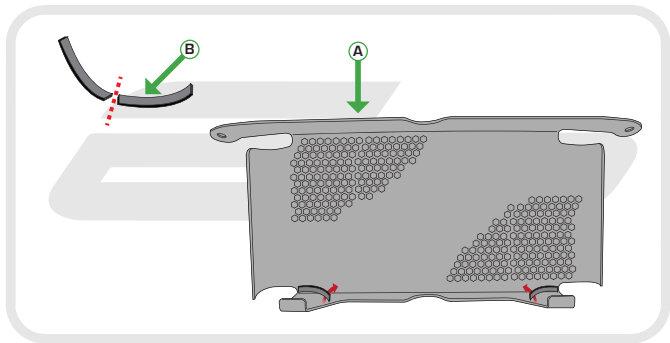
x3



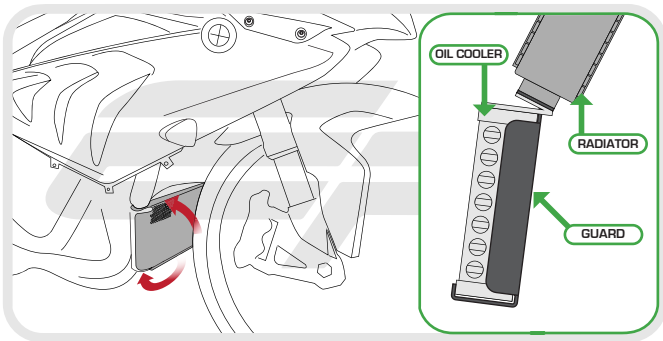


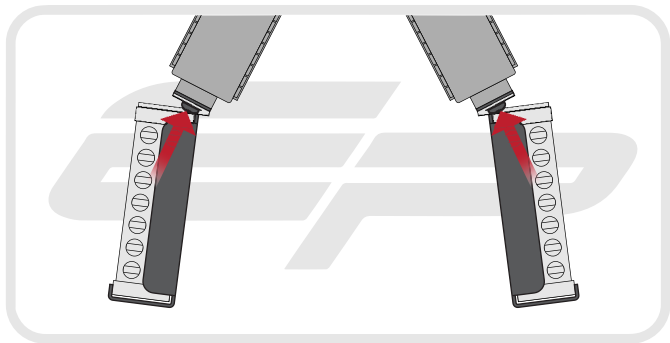


EVOTECH[®]
P E R F O R M A N C E



EVOTECH[®]
P E R F O R M A N C E







Reverse Stages

7 - 1



Maintenance

It is recommended that periodic inspections are made to ensure that dirt and debris have not become trapped between the guard and the radiator/oil cooler. Such dirt and debris would reduce the cooling efficiency of the radiator/oil cooler