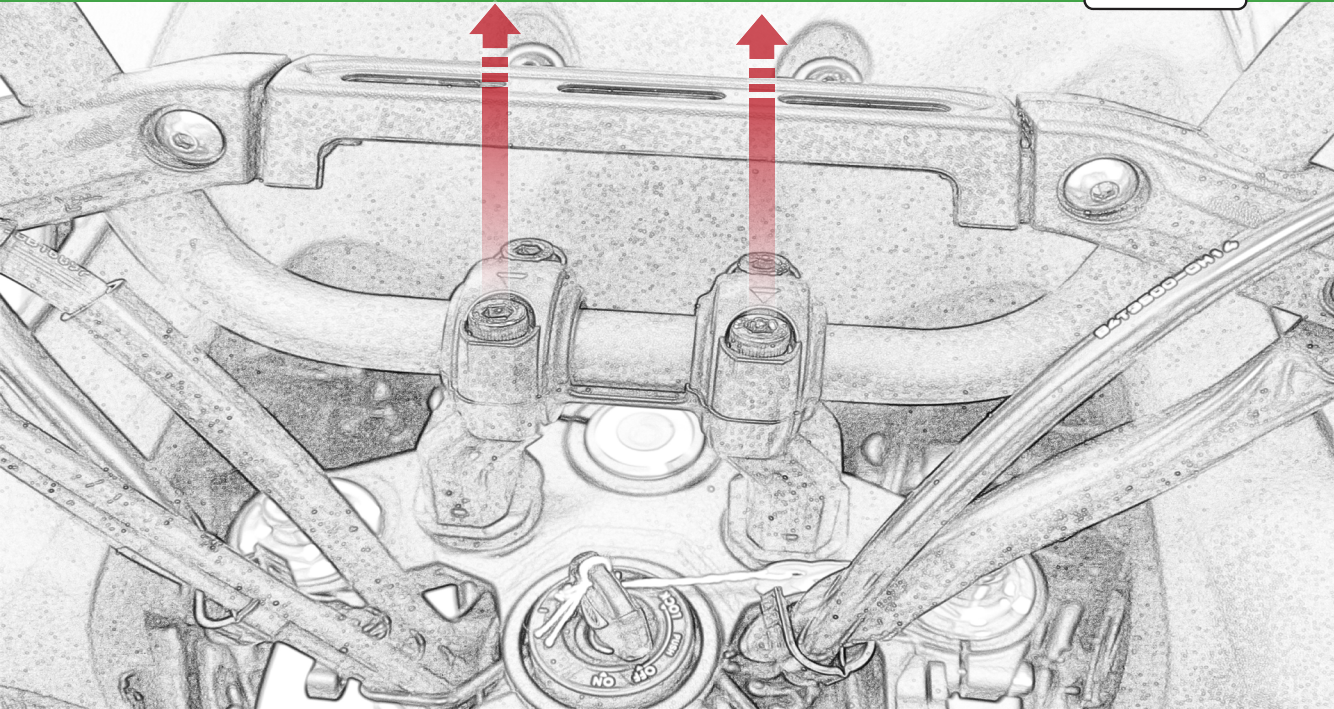
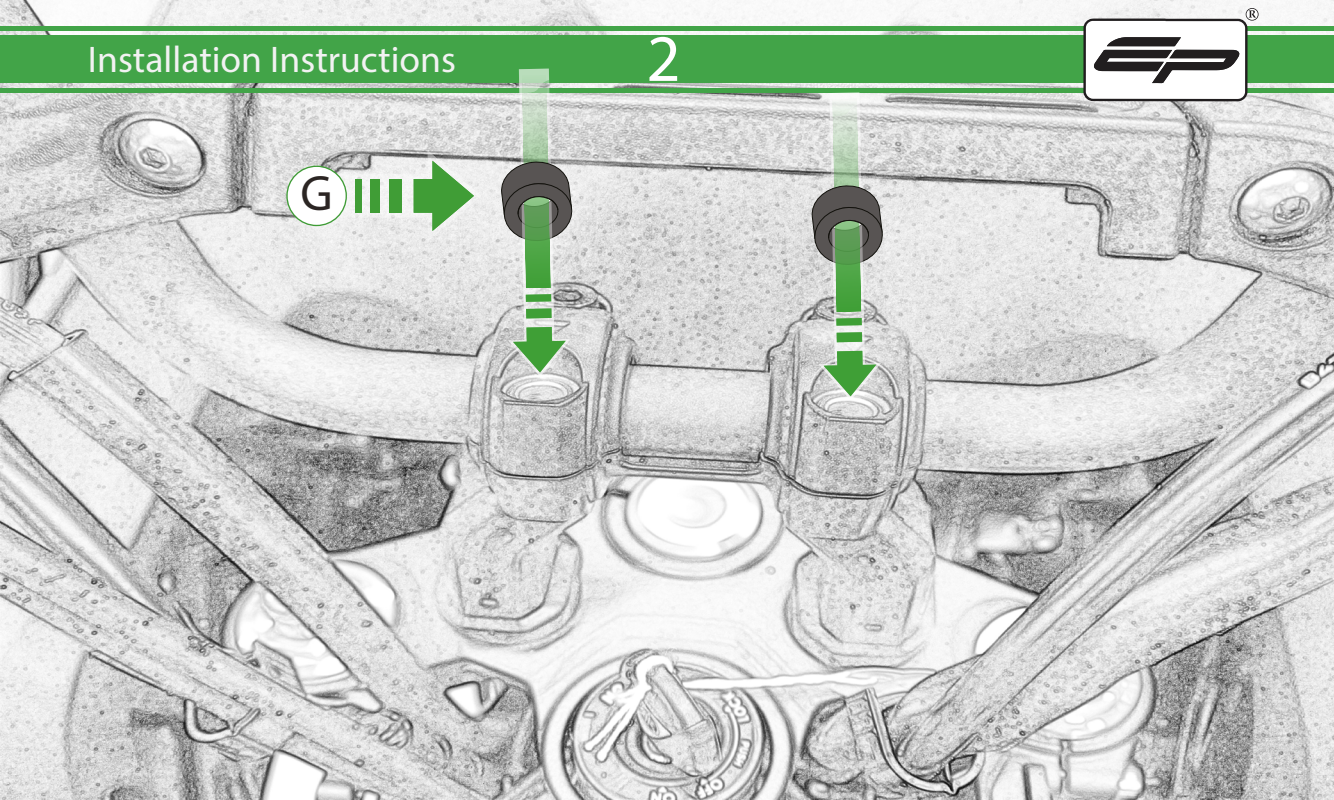


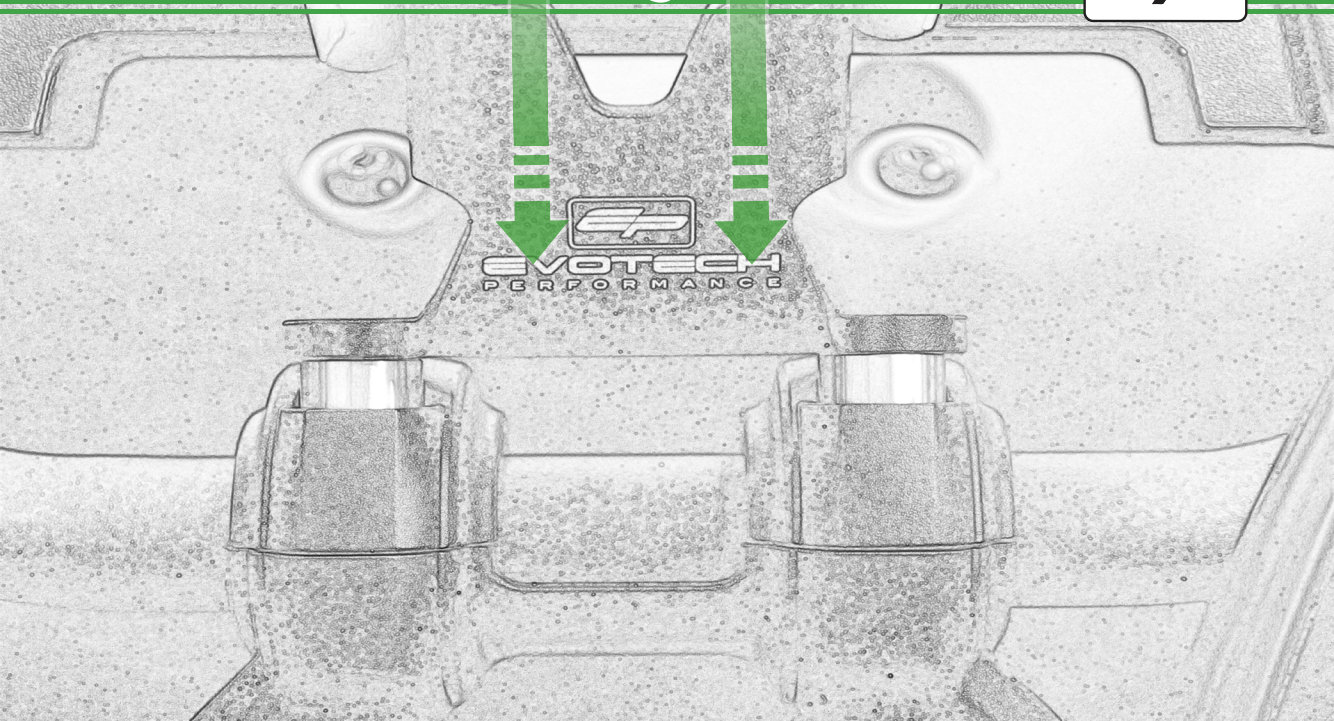


Kit Contents

- (A) 1 x Pivot Plate
- (B) 1 x Tom Tom Plate
- (C) 2 x M5 x 10 Caphead Bolt
- (D) 2 x M8 Caphead Bolt
- (E) 2 x Nord Washer
- (F) 2 x M5 x 8mm Black Button Head Bolt
- (G) 2 x Spacer
- (H) 4 x M5 x 12mm Black Button Head Bolts

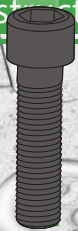


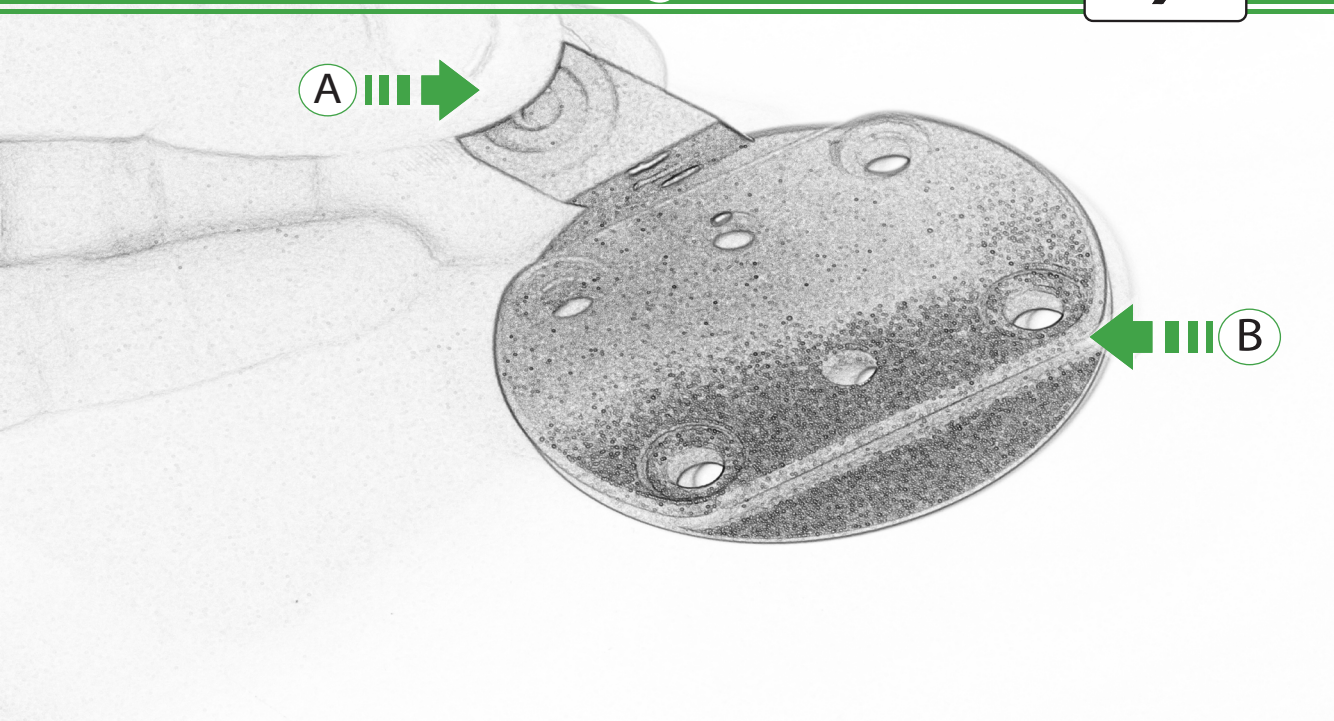


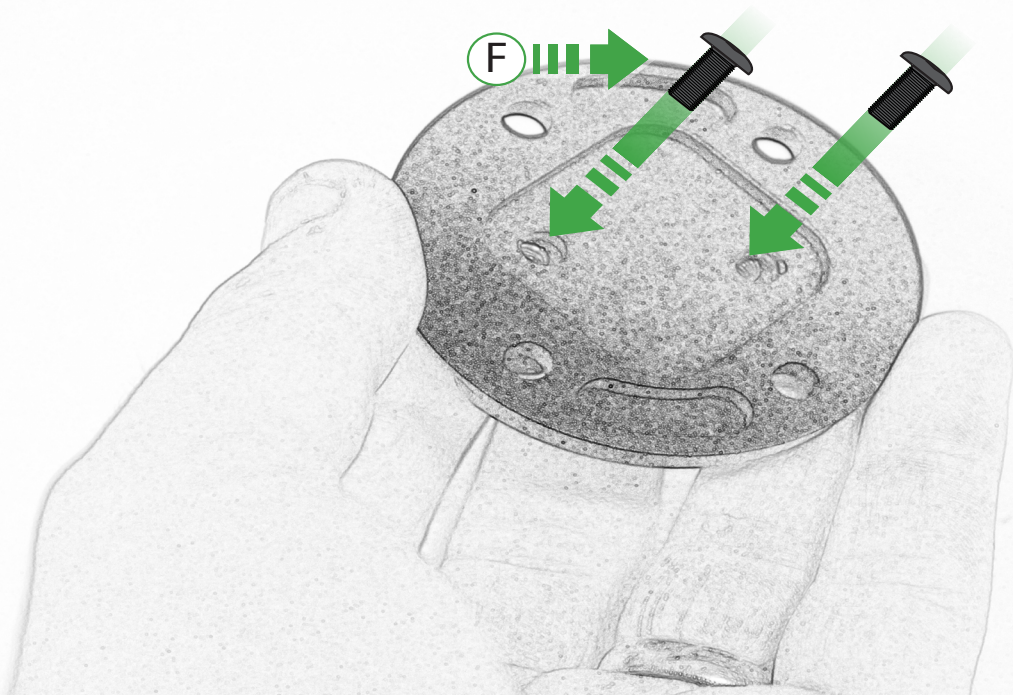


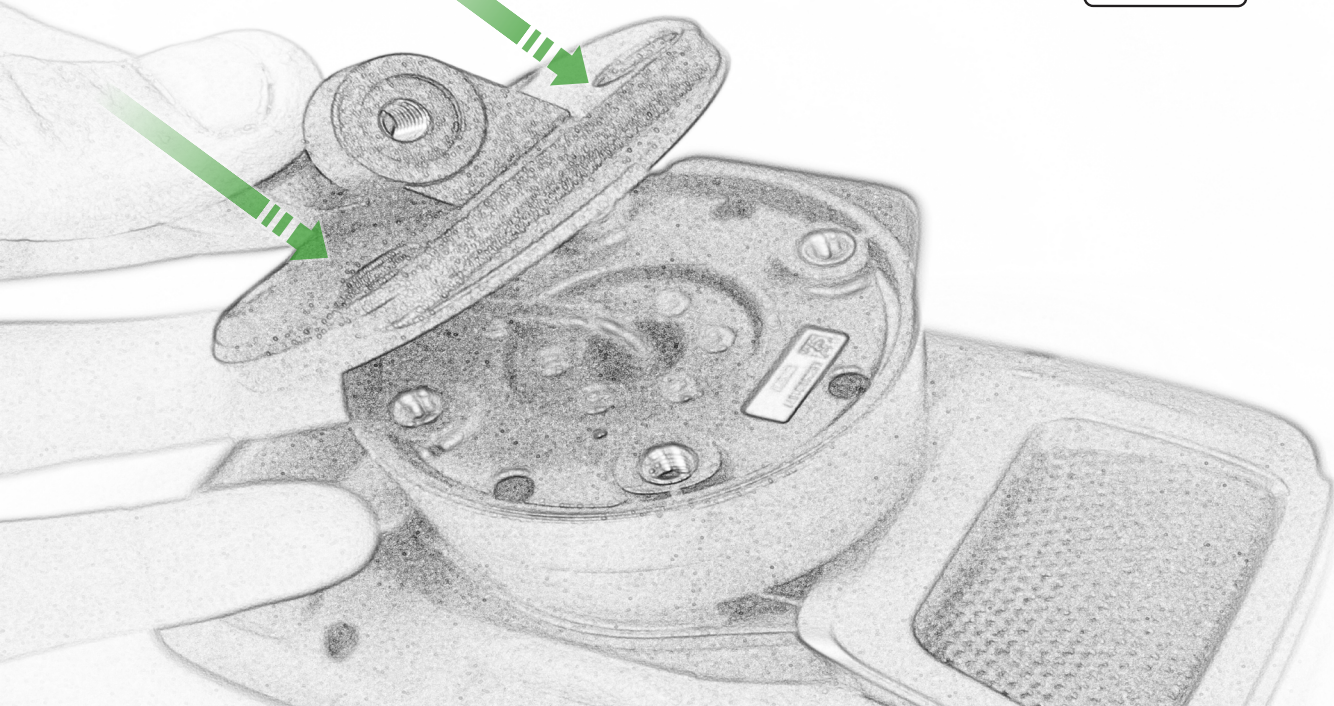


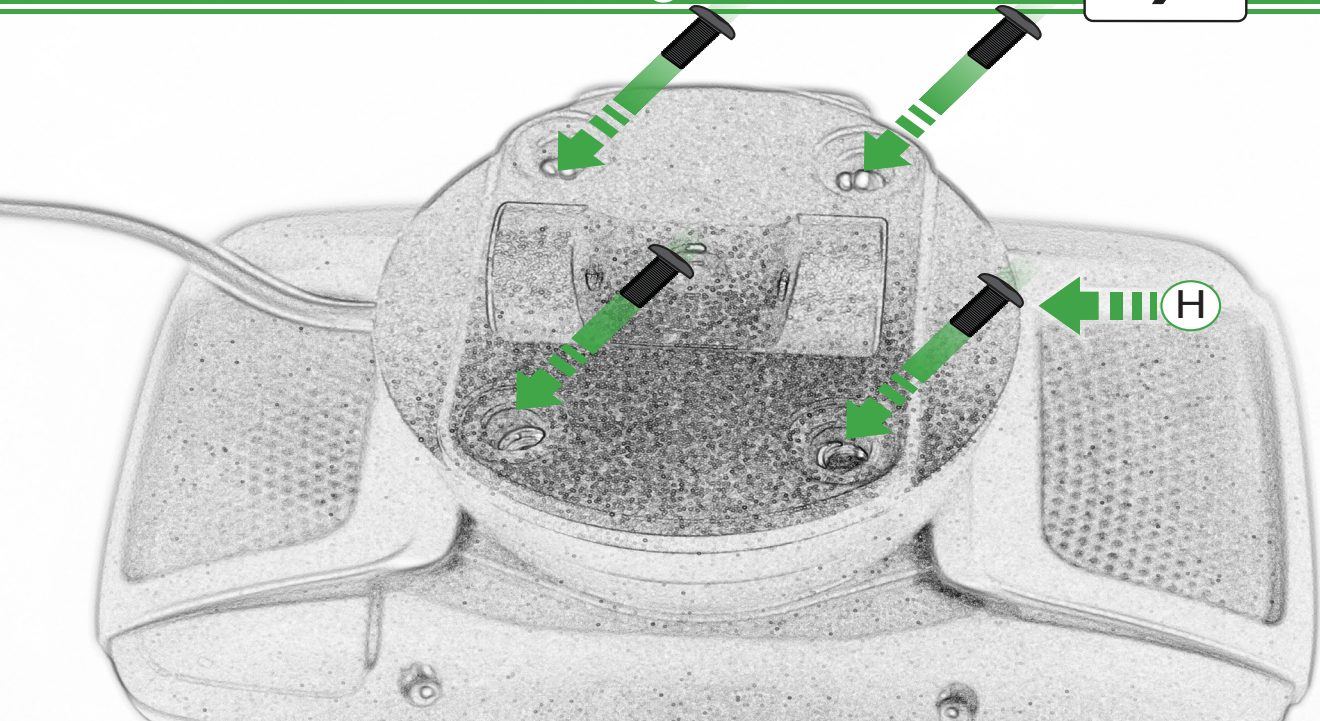
D 

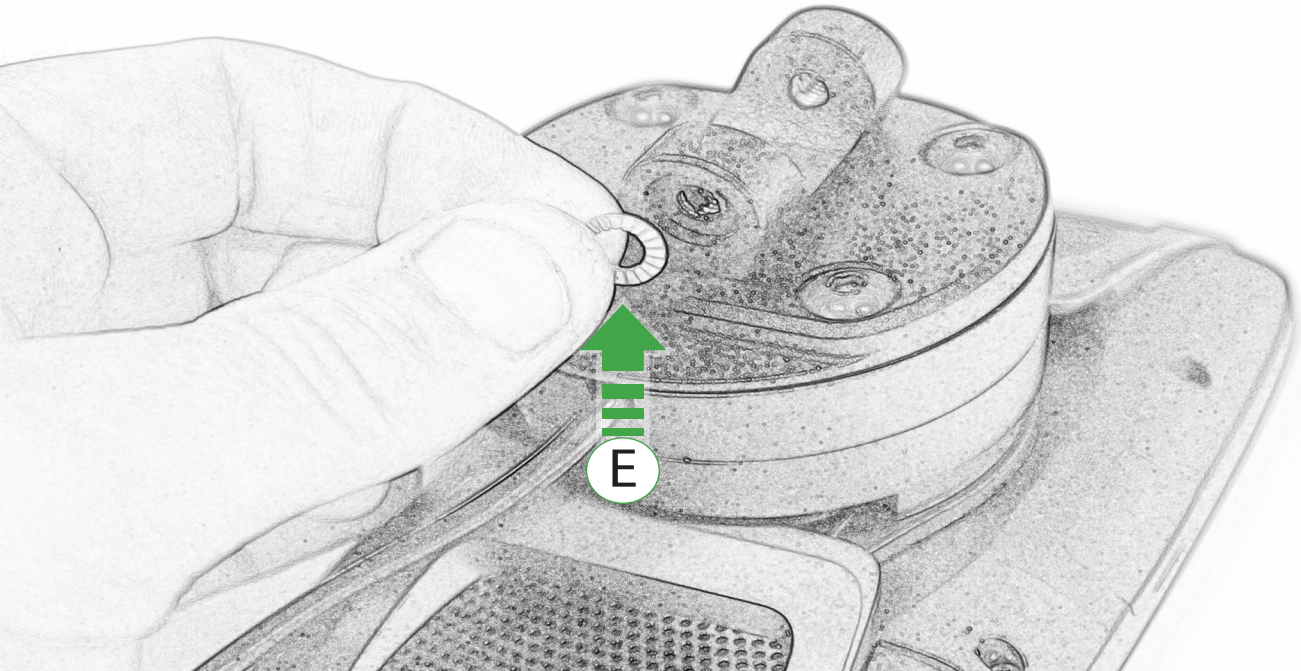


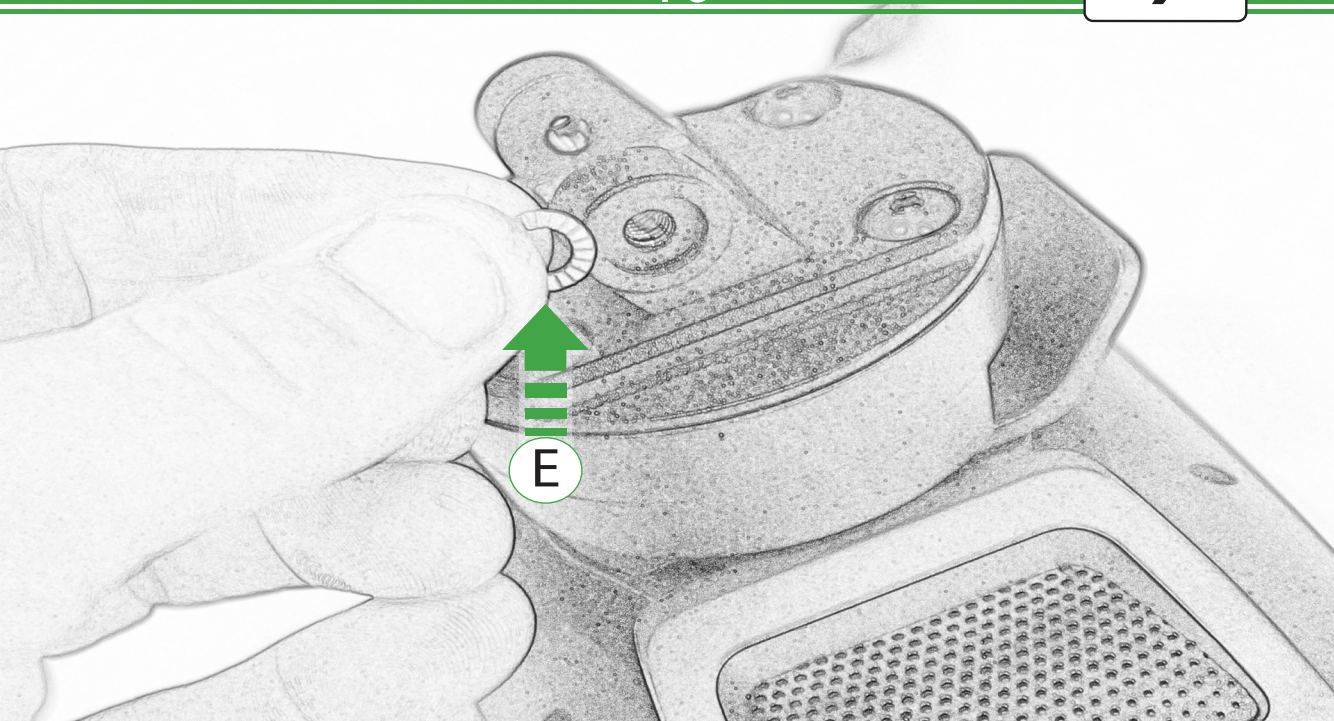


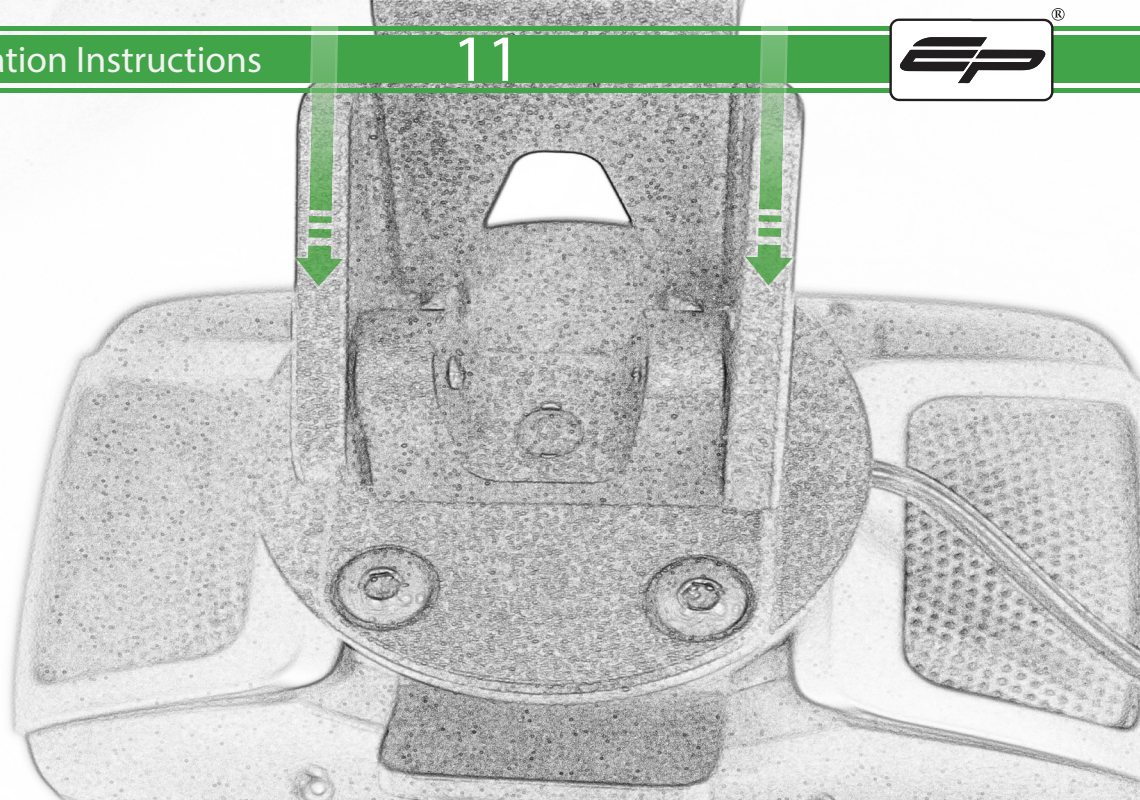


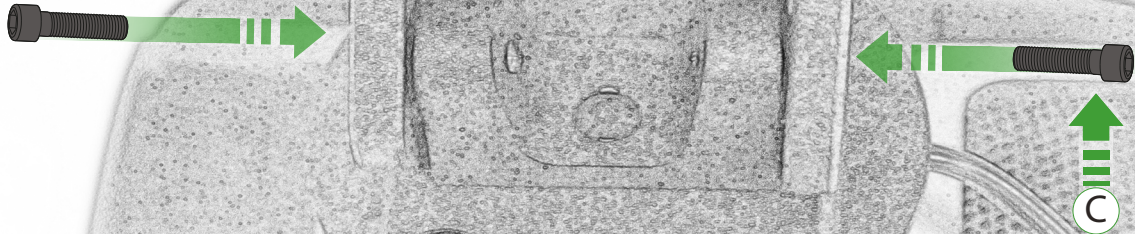














ESSENTIAL CHECKS

It is recommended that periodic inspections are made to ensure that all bolts are tightened to the specified torque settings.

Should the bike be involved in an accident a thorough inspection should be made and any components that have taken an impact, no matter how small, be replaced