

EVOTECH®
P E R F O R M A N C E

BMW F 900 XR / TE

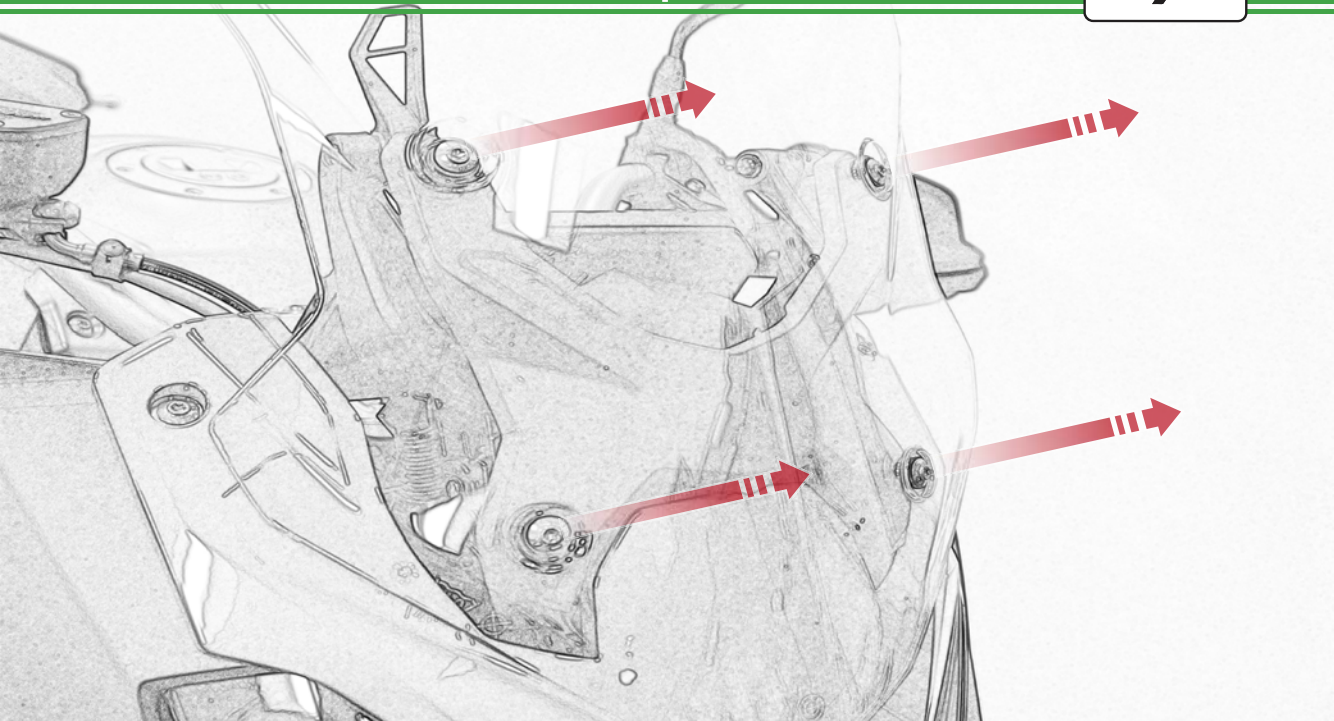
Tom Tom Sat Nav Mount

Installation Instructions



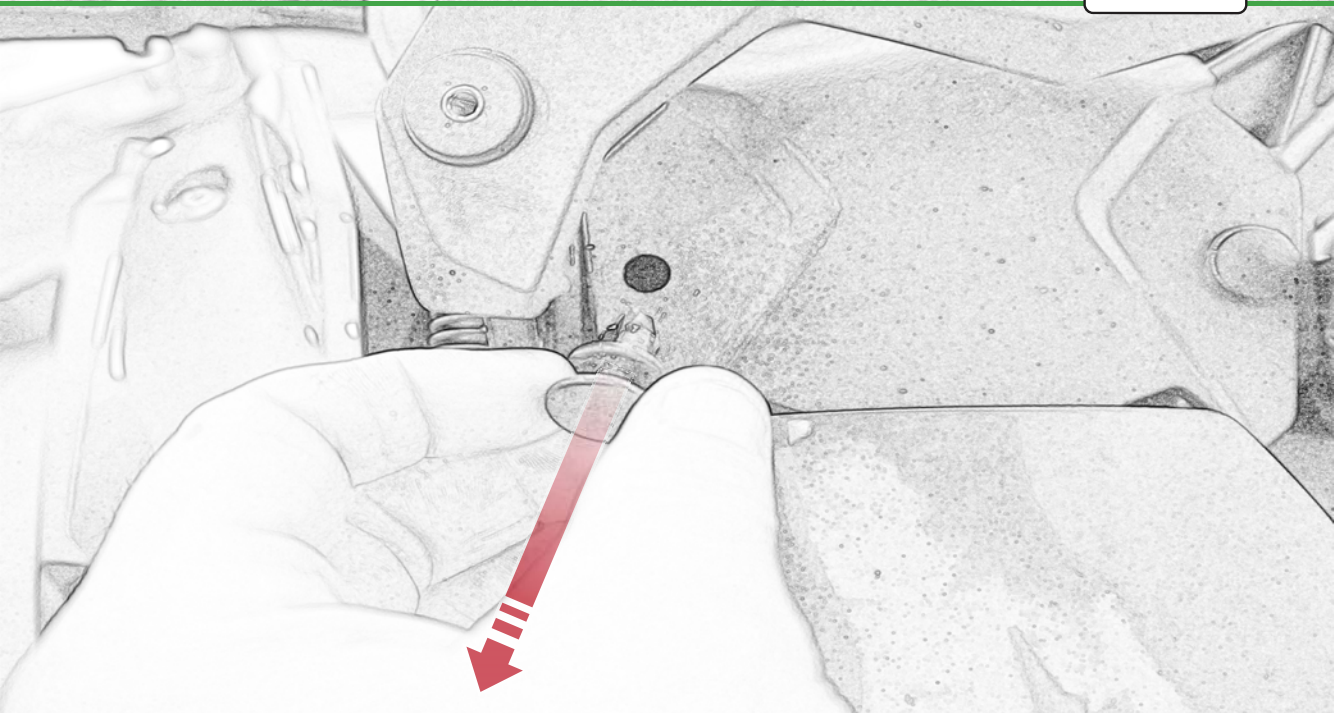
Kit Contents PRN014567-015019

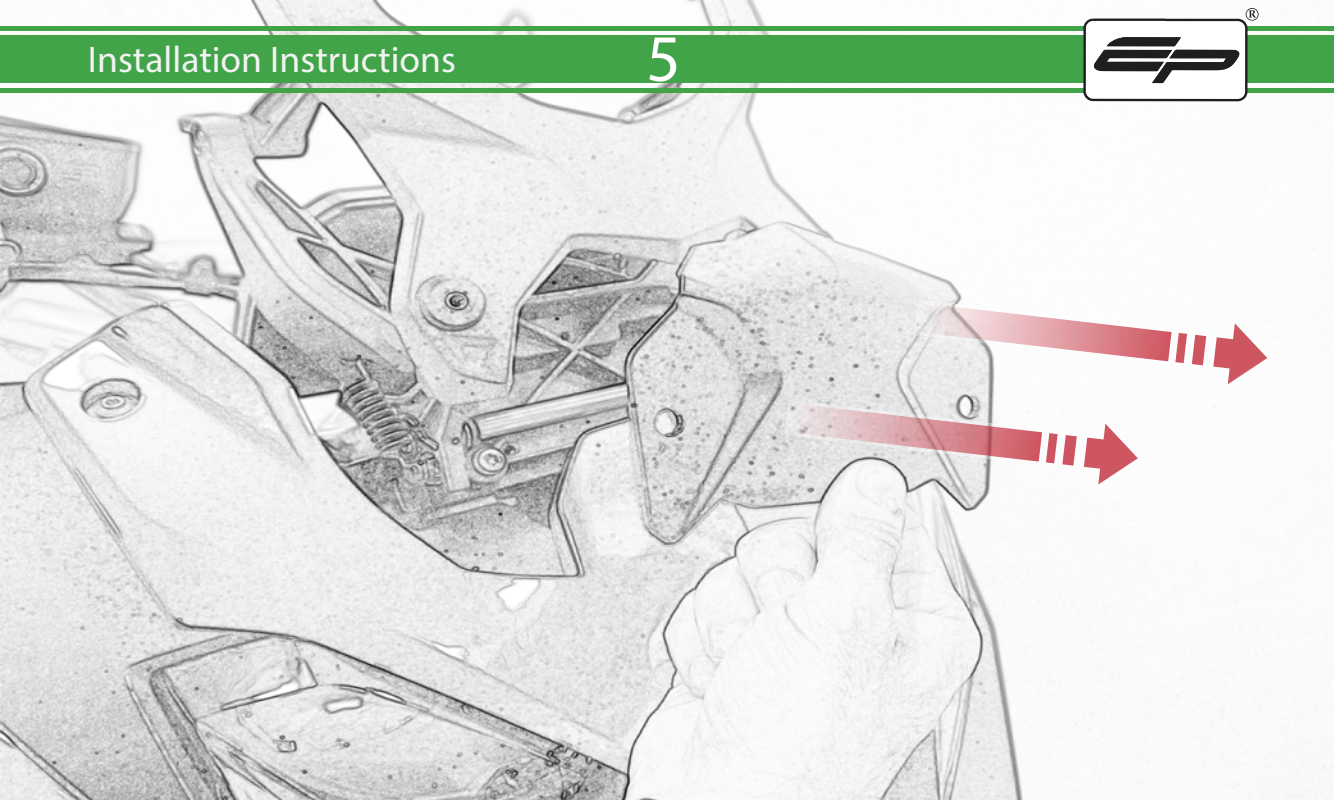
- | | |
|------------------------------------|---|
| (A) 1 x Main Plate | (L) 2 x M4 x 5mm Black Button Head Bolts |
| (B) 1 x Pivot Plate | (M) 4 x M5 x 12mm Black Button Head Bolts |
| (C) 1 x Sub Mounting Bracket | Sub Kit |
| (D) 2 x M5 x 8mm Button Head Bolts | (N) 4 x M6 x 40 Caphead |
| (E) 2 x Lobe Screw | (O) 4 x M5 x 10mm Button Head Bolts |
| (F) 2 x Locking Washer | |
| (G) 2 x P-clips (No.1) | |
| (H) 2 x P-clips (No.2) | |
| (I) 2 x P-clips (No.3) | |
| (J) 2 x P-clips (No.4) | |
| (K) 2 x M5 Black Washer | |

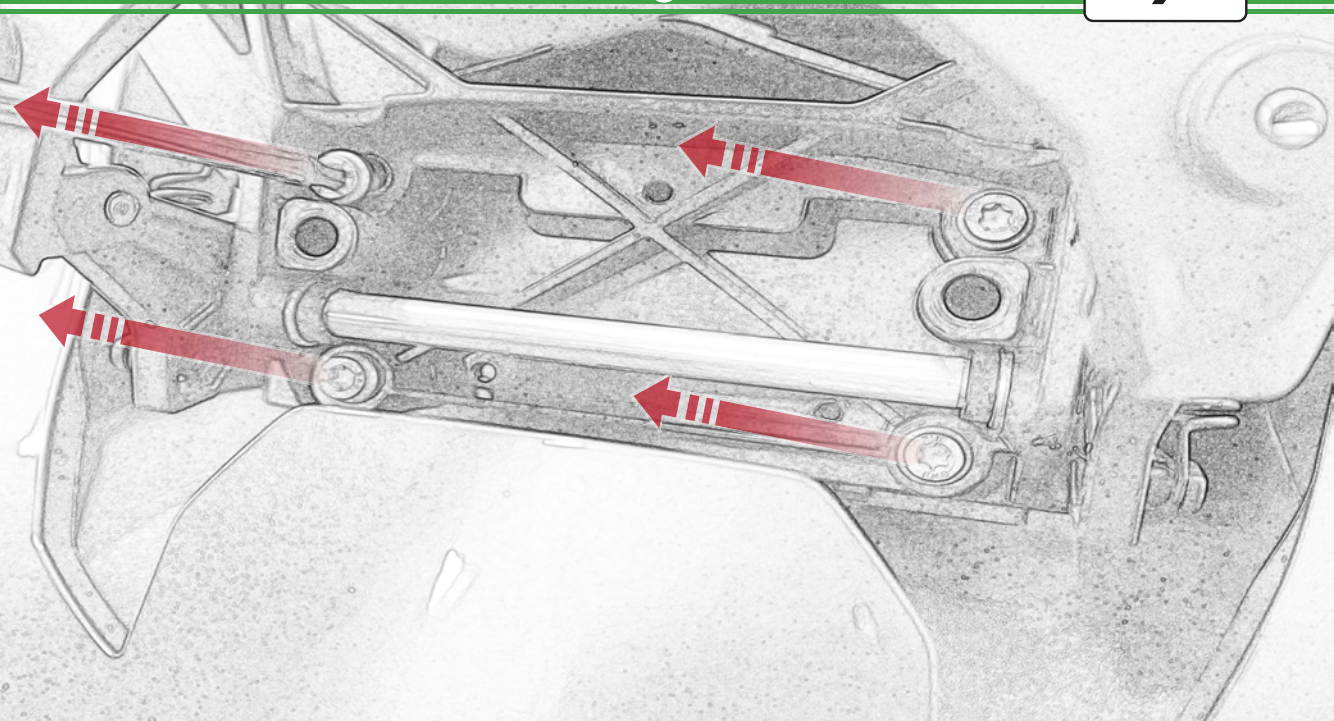


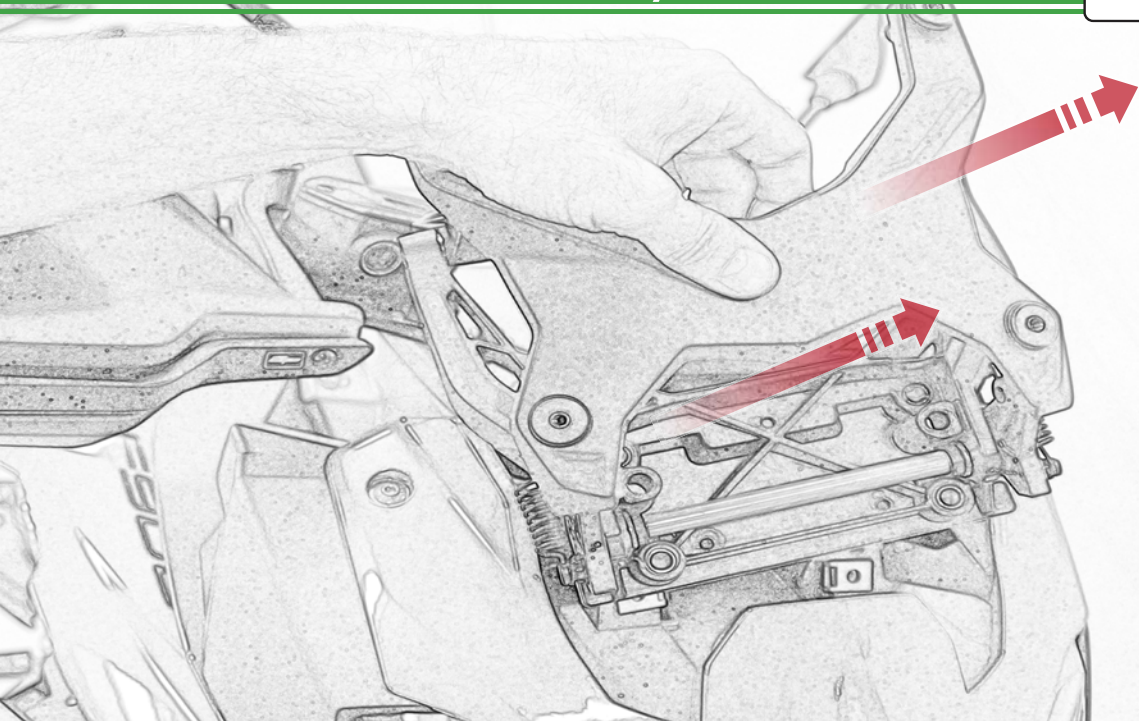


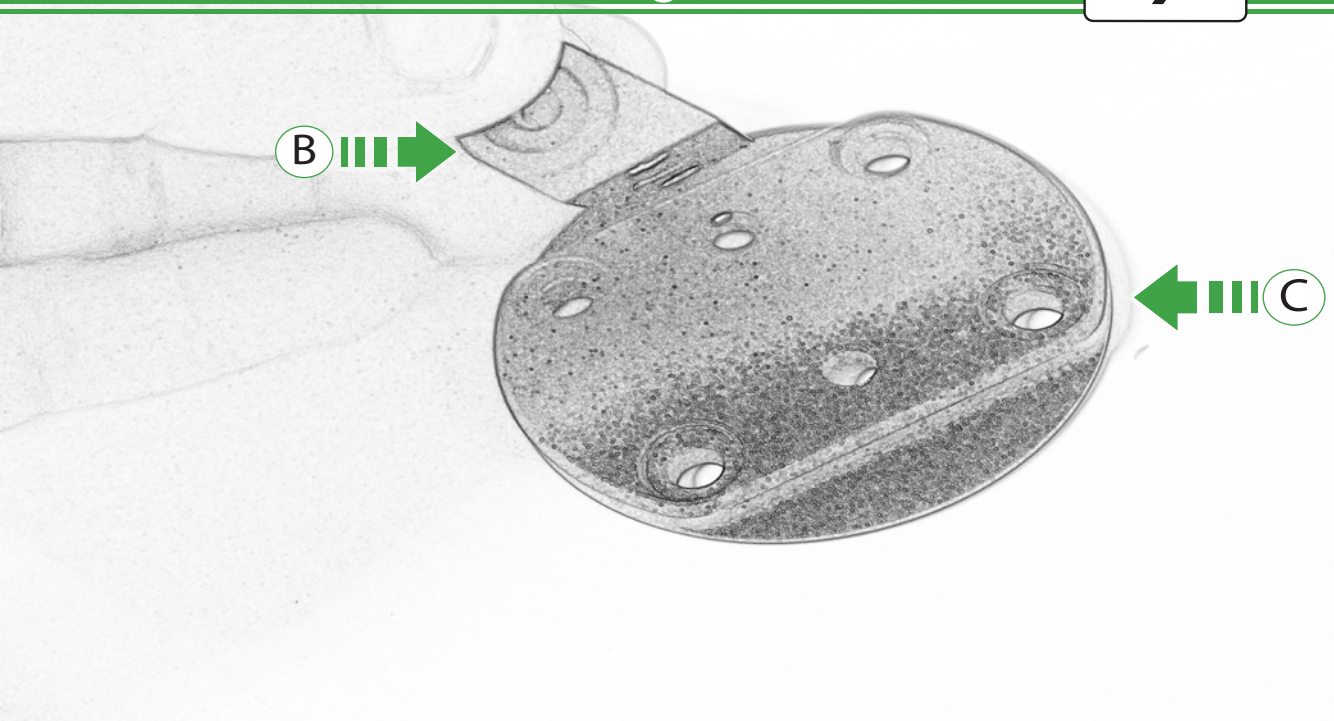






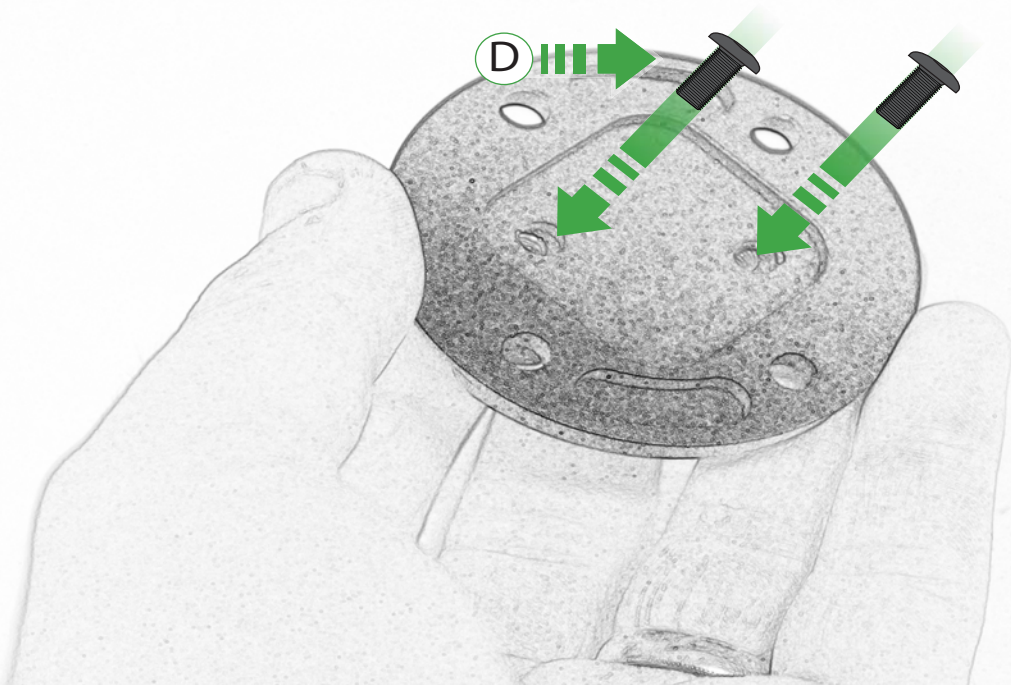


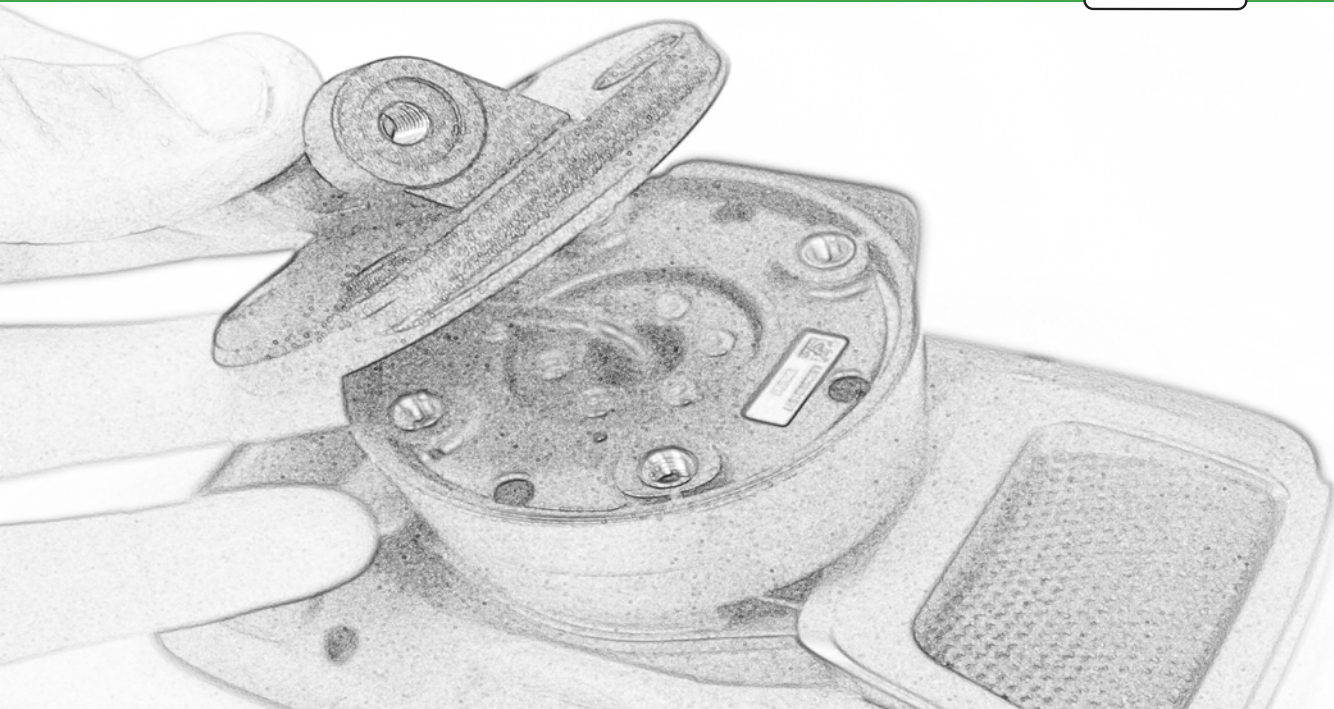


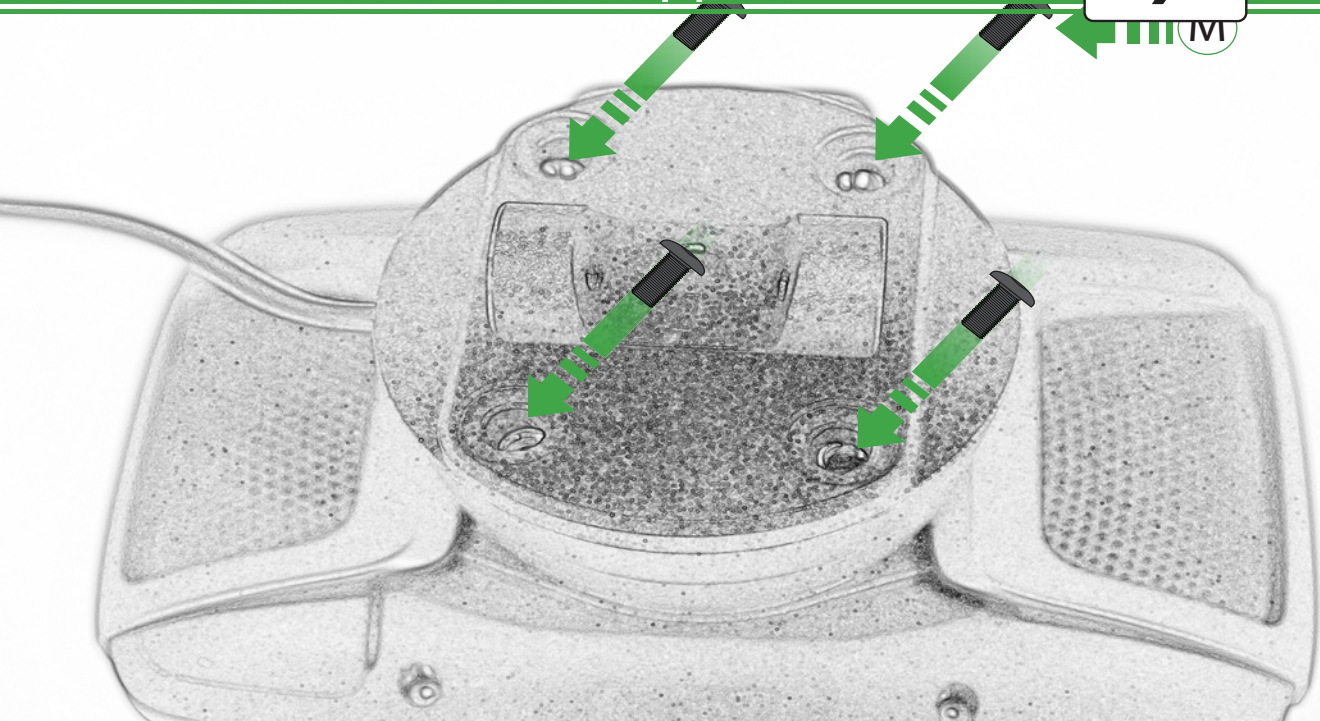


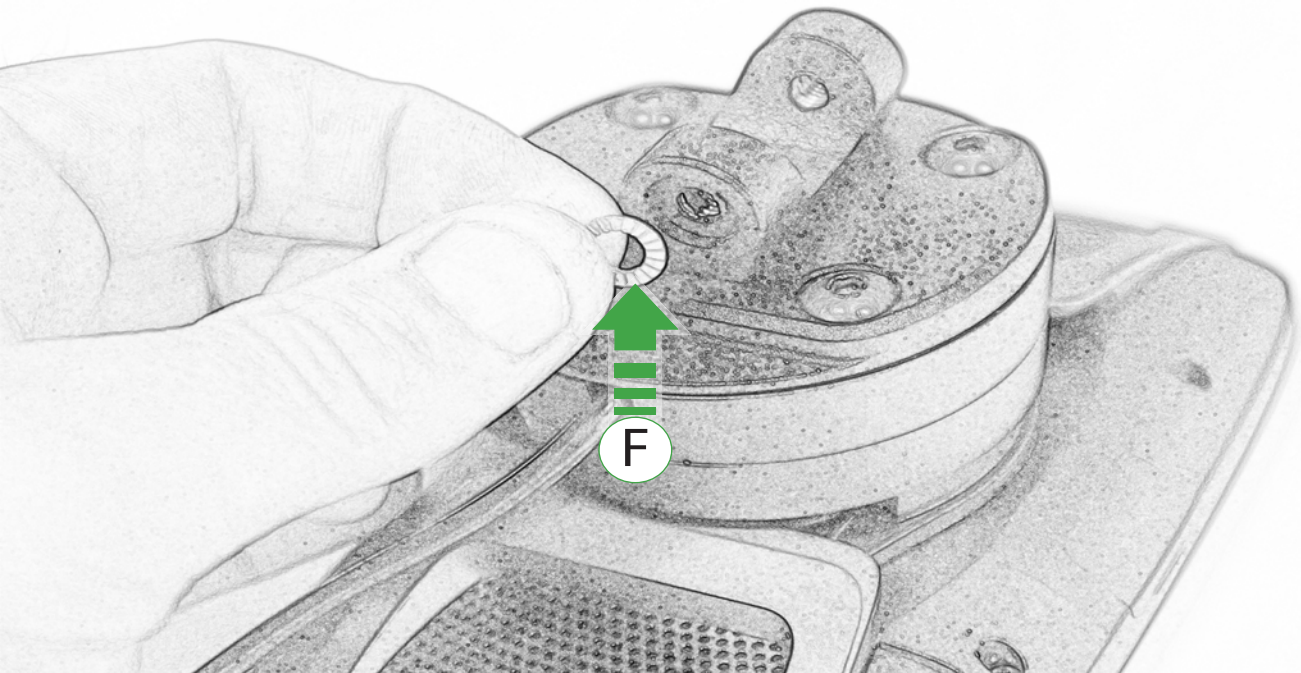
B

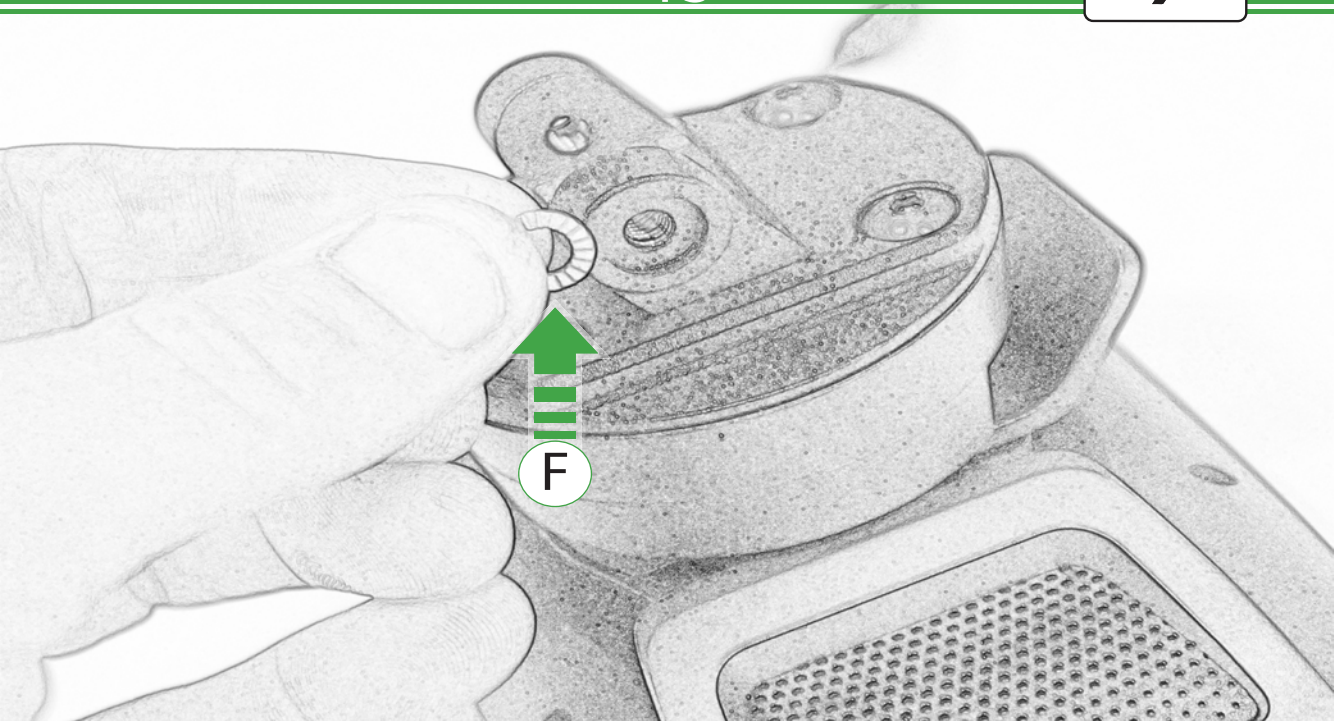
C

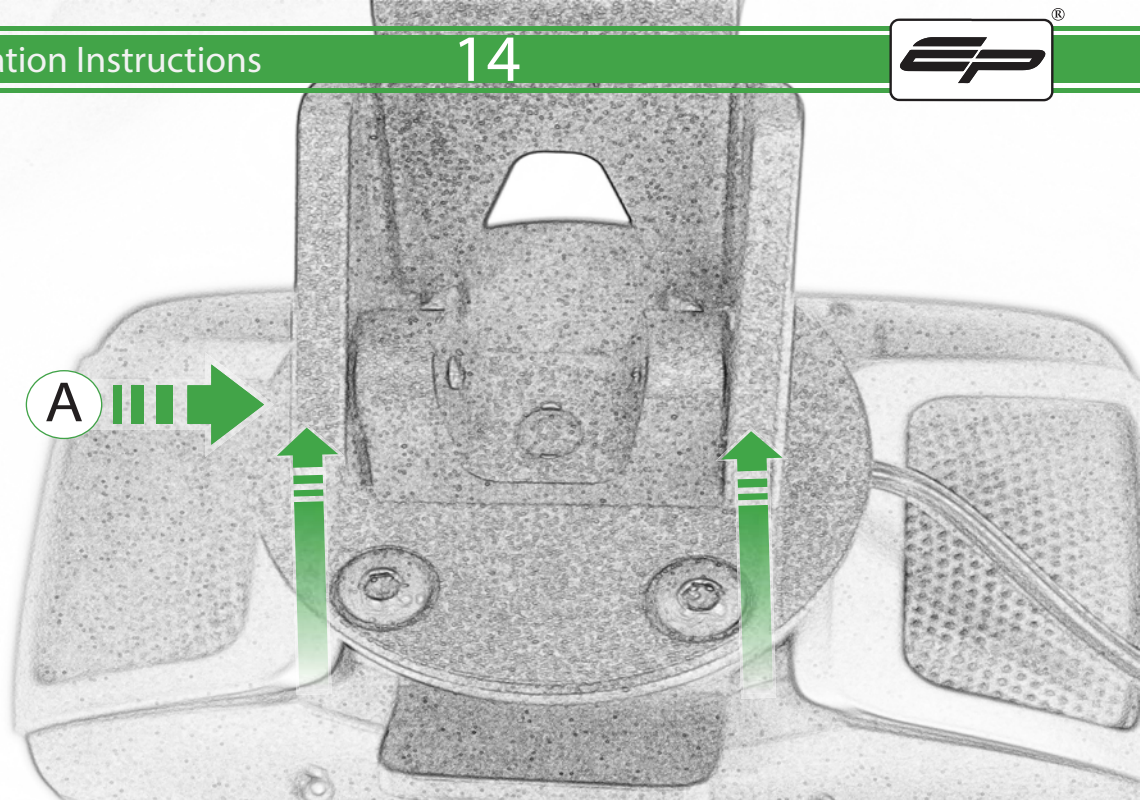


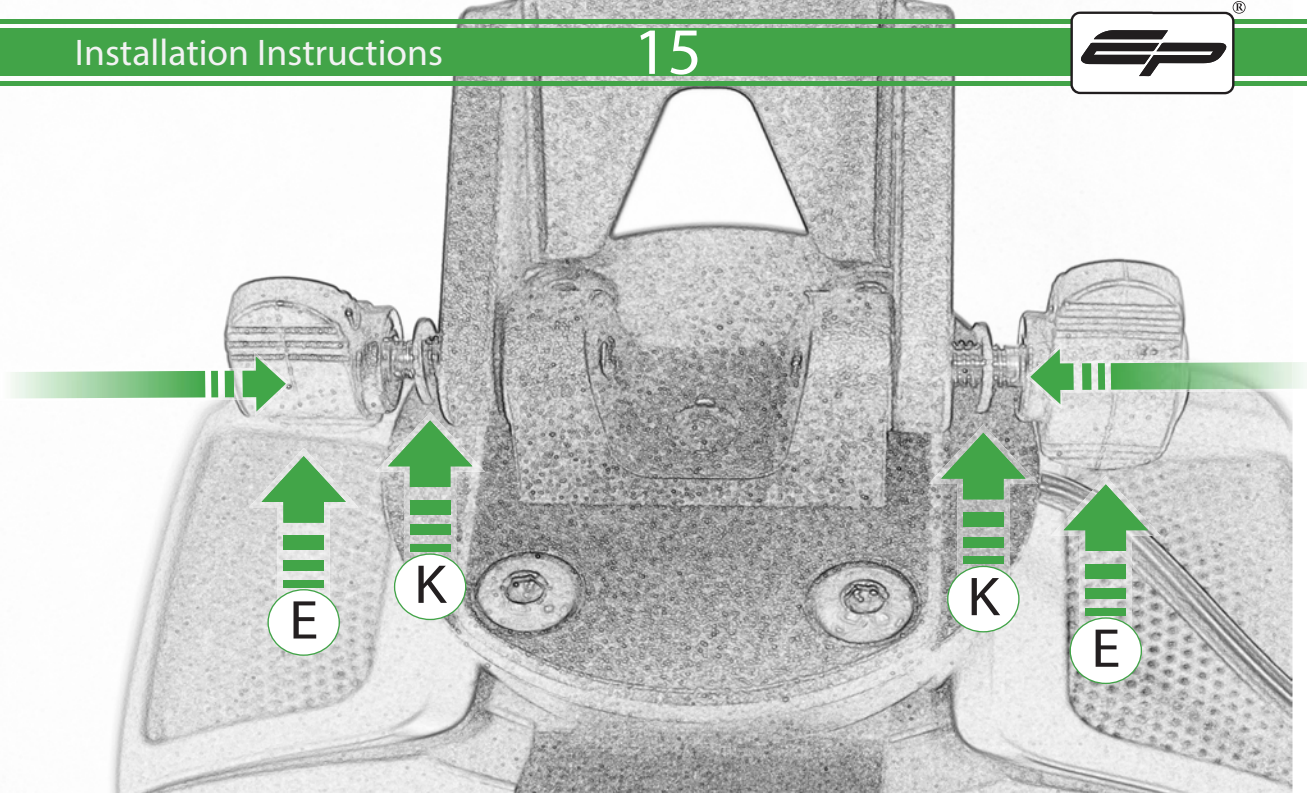


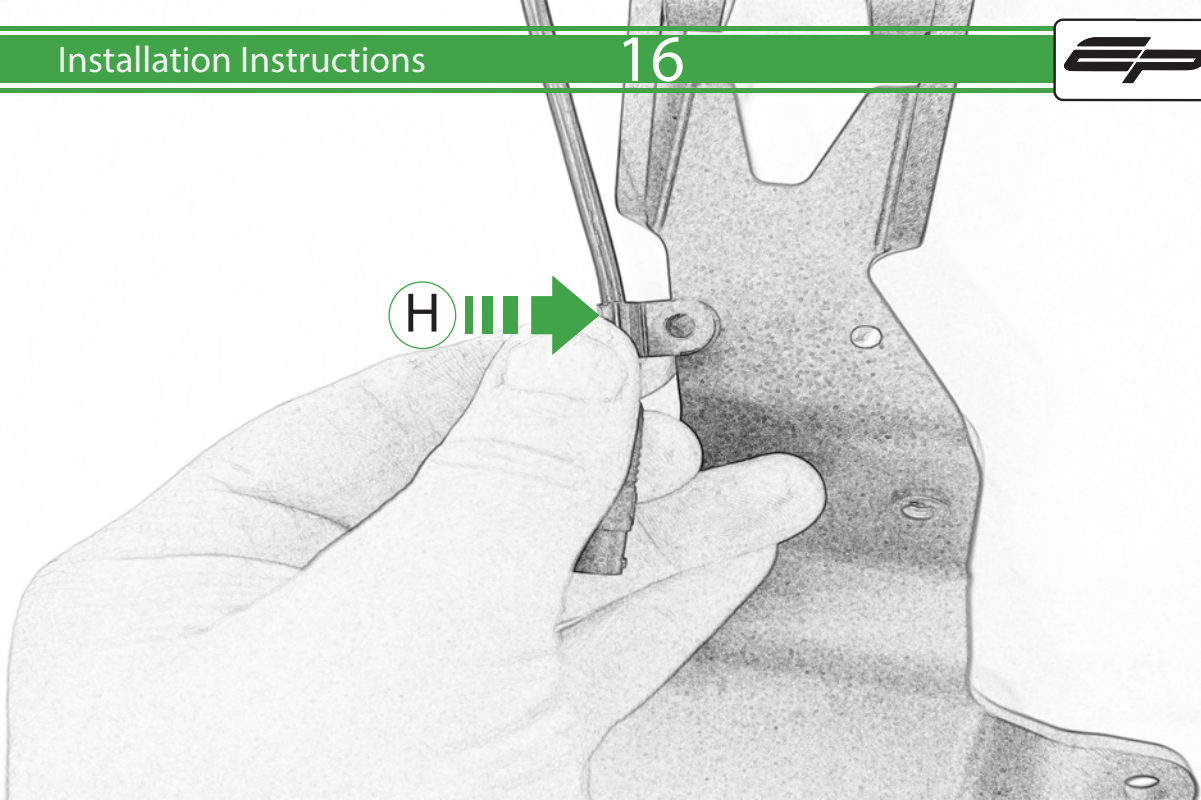


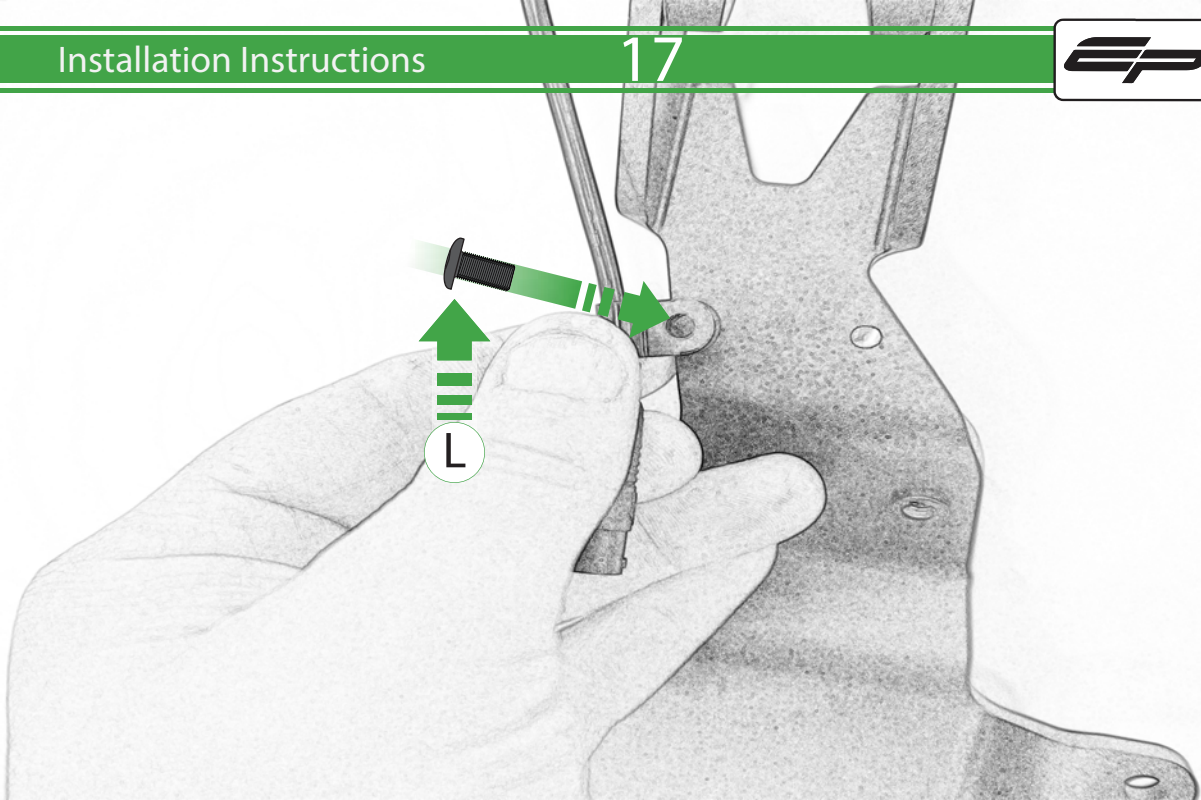


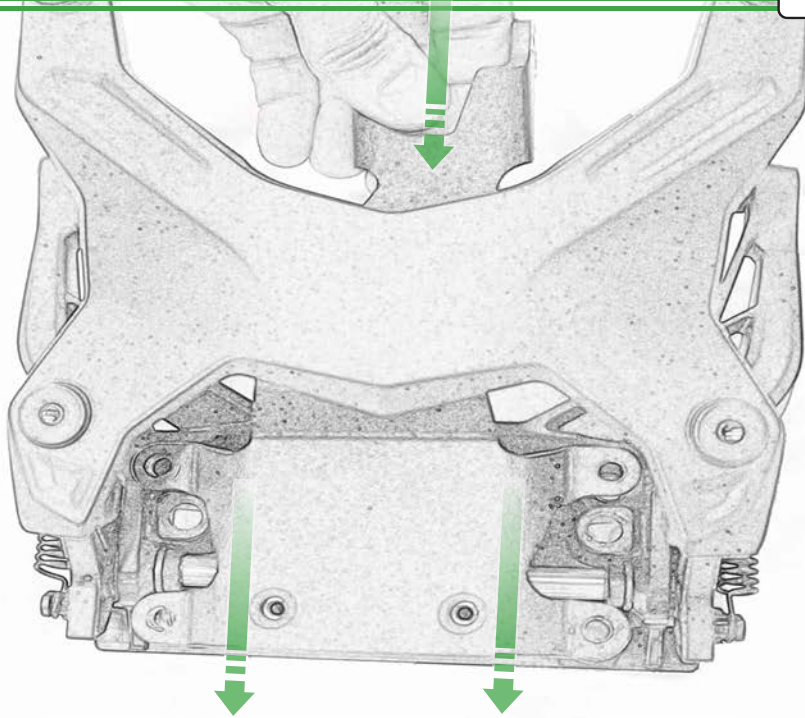


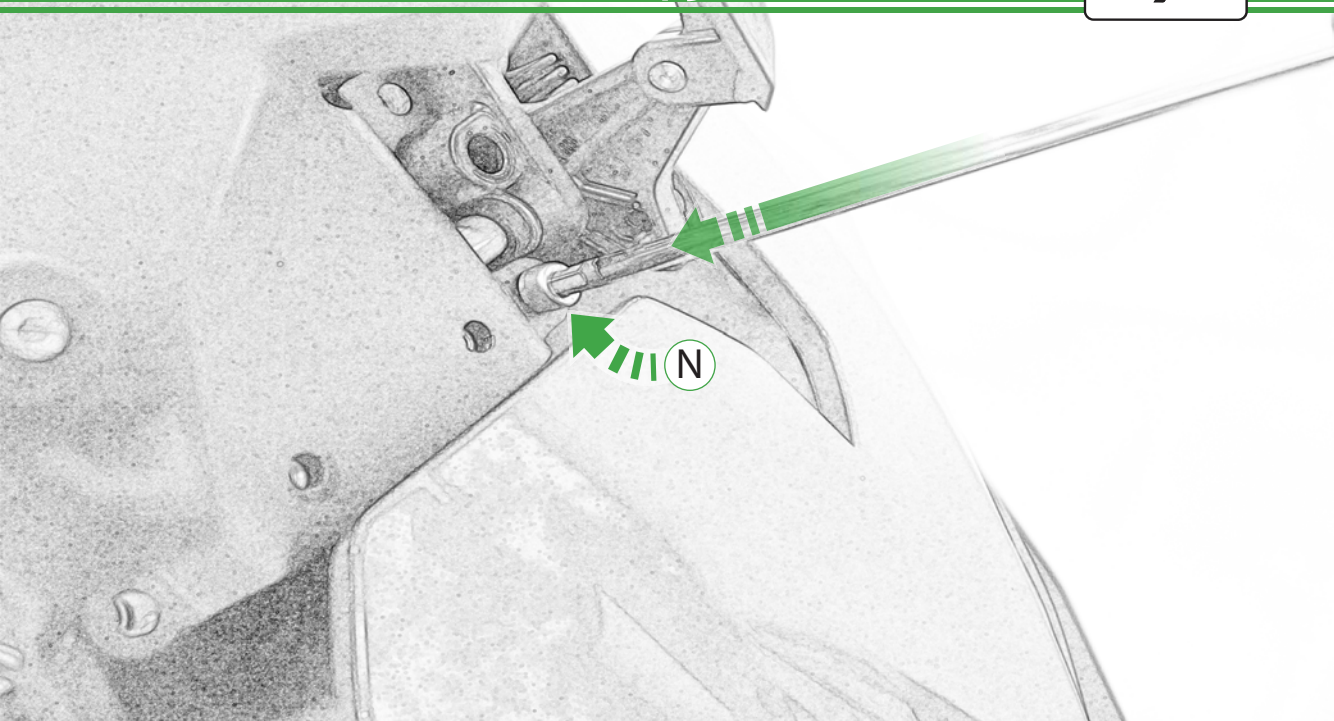


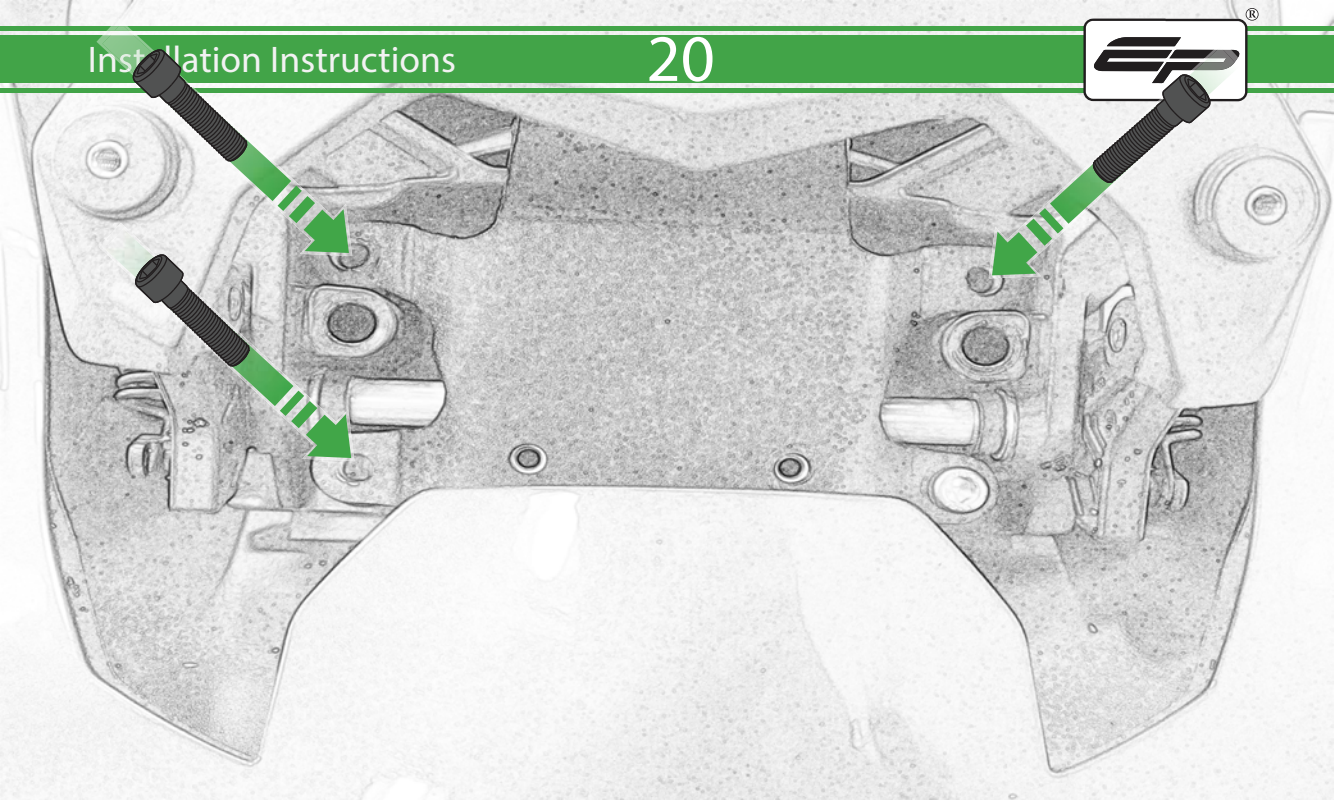


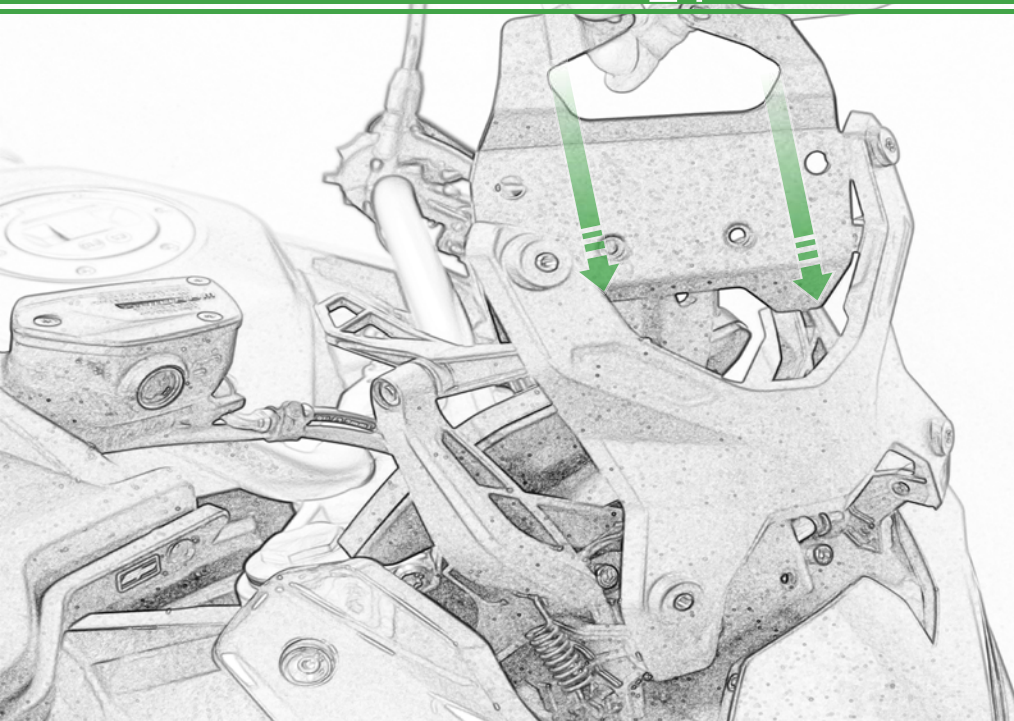


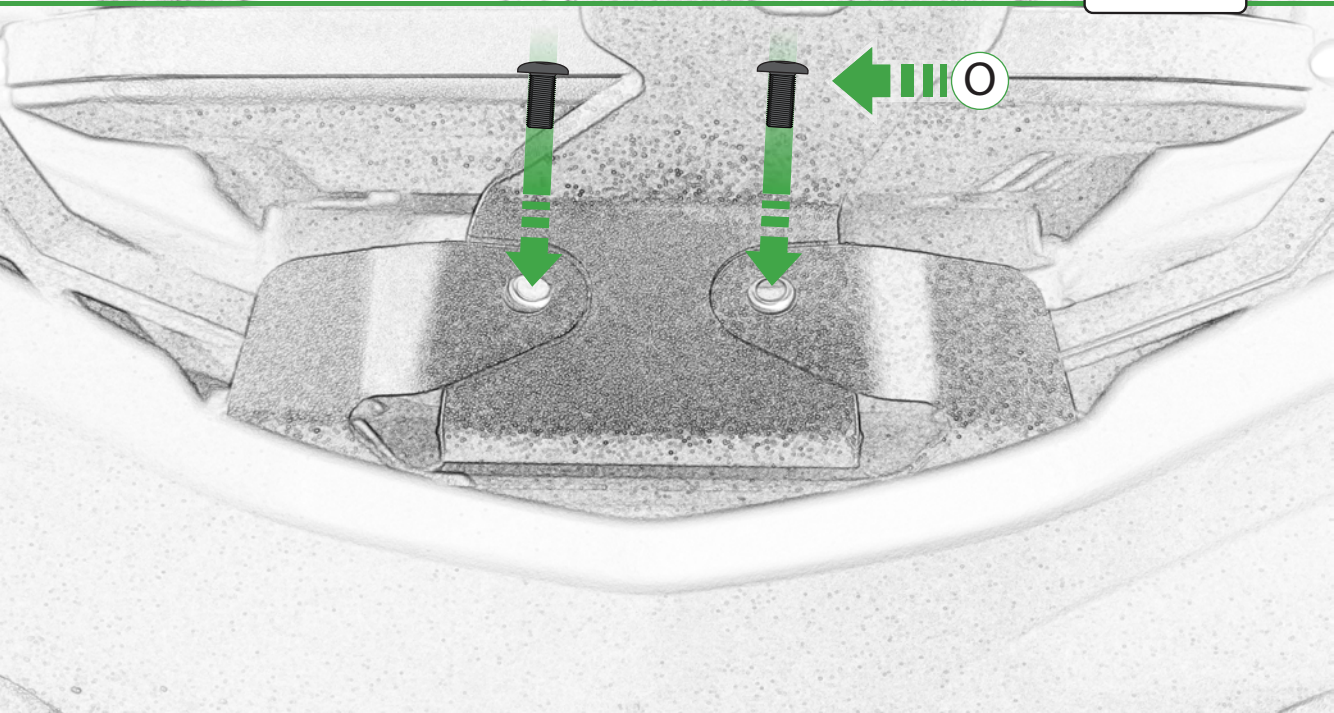




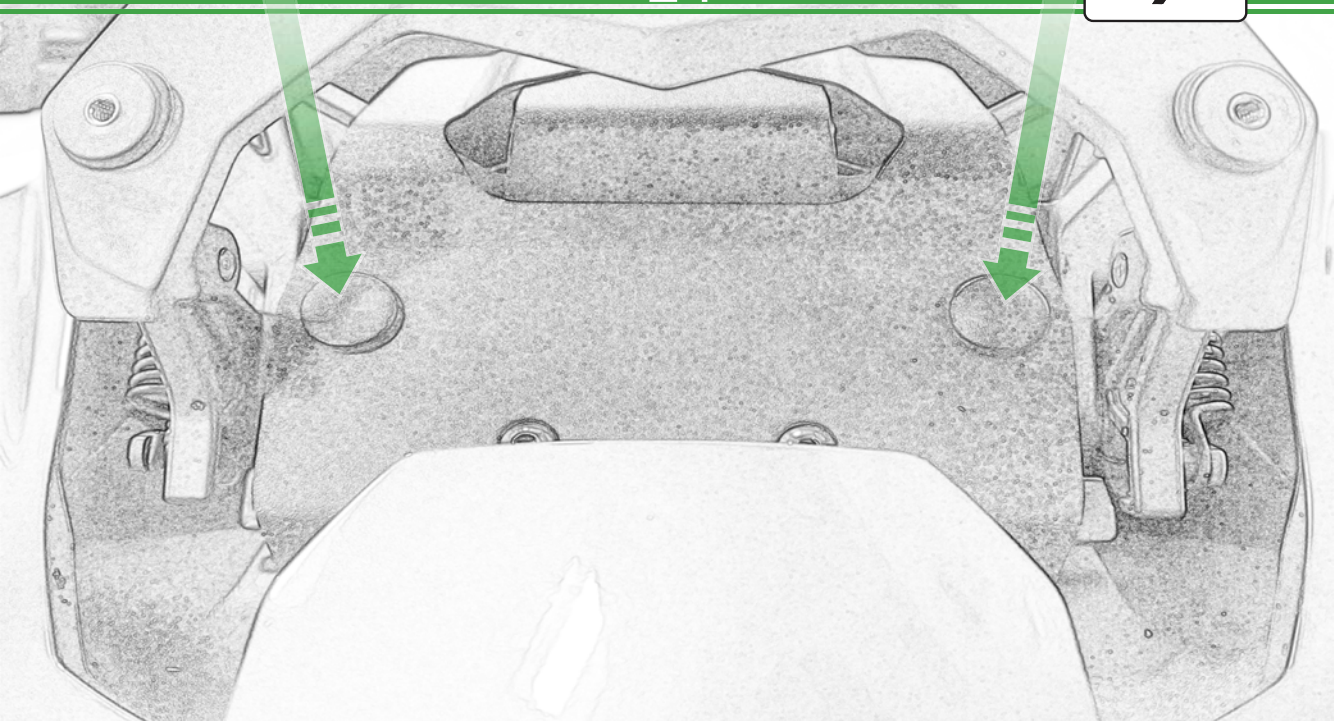


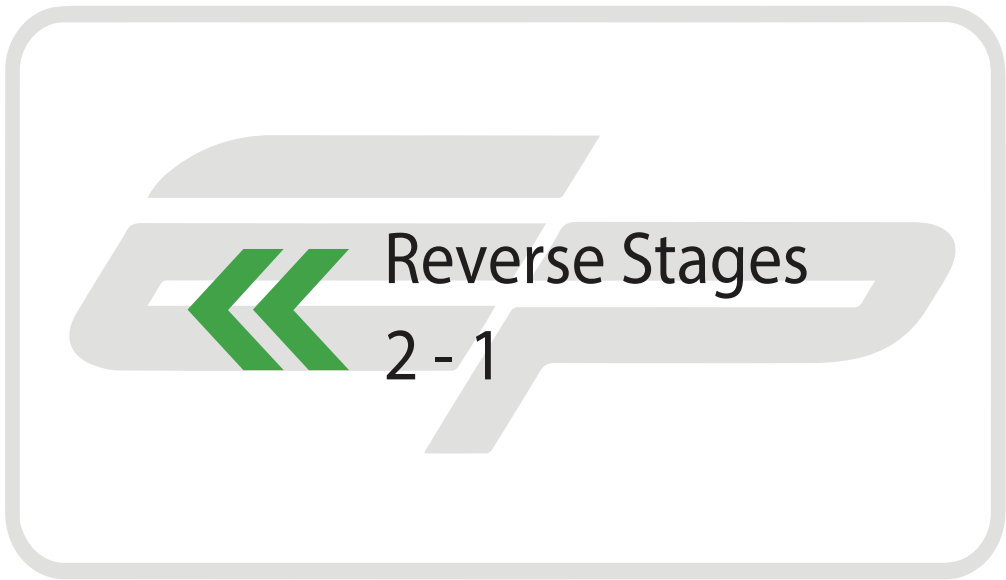










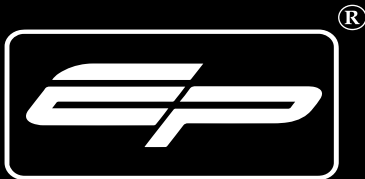




ESSENTIAL CHECKS

It is recommended that periodic inspections are made to ensure that all bolts are tightened to the specified torque settings.

Should the bike be involved in an accident a thorough inspection should be made and any components that have taken an impact, no matter how small, be replaced



EVOTECH®
P E R F O R M A N C E

www.evotech-performance.com