

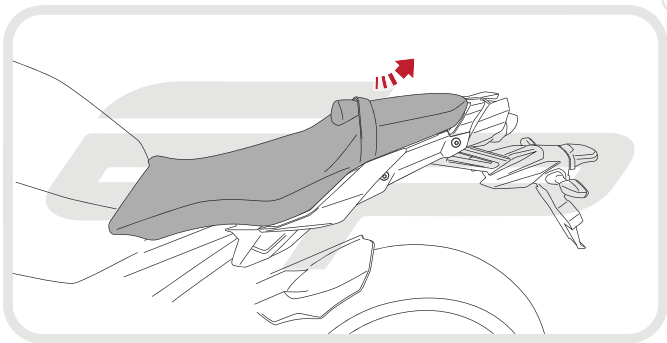


## YAMAHA MT-10 TAIL TIDY

Product Reference - 13234

### Kit Contents

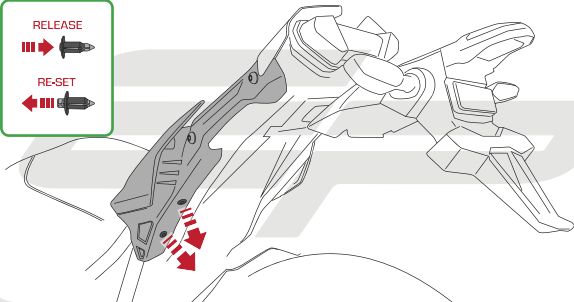
- |  |   |
|--|---|
| <b>A</b> 1 x Upper Bracket               | <b>I</b> 1 x M4 Washer                    |
| <b>B</b> 1 x Lower Bracket               | <b>J</b> 2 x M6 - 30 Socket Button Screws |
| <b>C</b> 1 x Cover Plate                 | <b>K</b> 2 x M6 - 25 Socket Button Screws |
| <b>D</b> 1 x LED Light Unit              | <b>L</b> 2 x M3 - 12 Socket Button Screws |
| <b>E</b> 1 x Reflector and Bracket       | <b>M</b> 2 x Plastic Screws and Nuts      |
| <b>F</b> 1 x Rubber Grommet              | <b>N</b> 2 x Male Bullet Connectors       |
| <b>G</b> 1 x Wiring Connector            | <b>O</b> 4 x M6 Washers                   |
| <b>H</b> 1 x M4 - 8 Socket Button Screws | <b>P</b> 5 x Cable Ties                   |

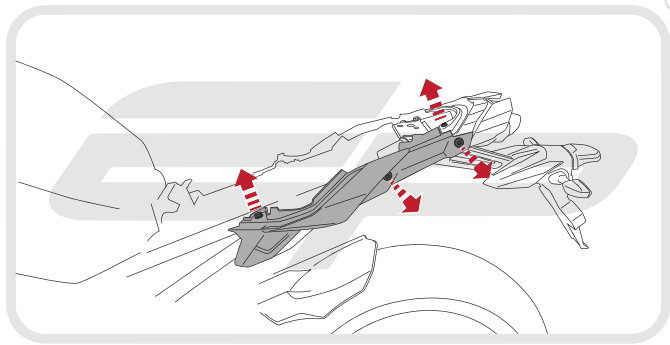


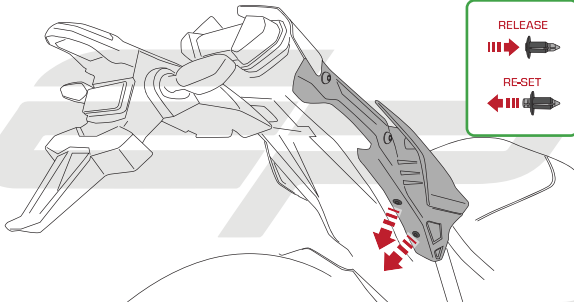
RELEASE



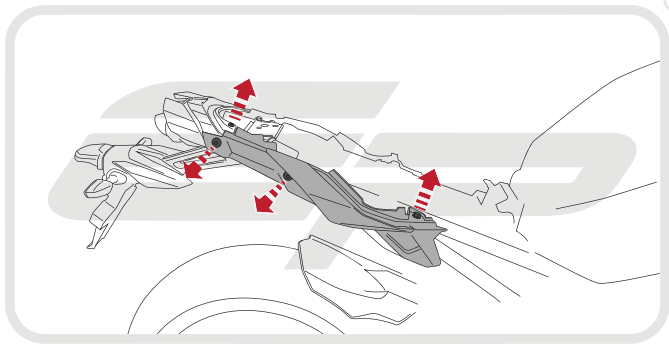
RE-SET

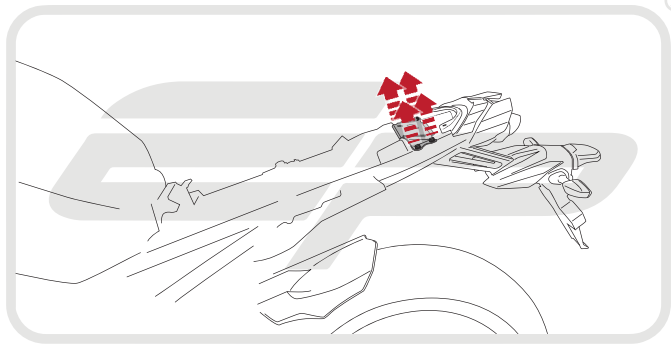


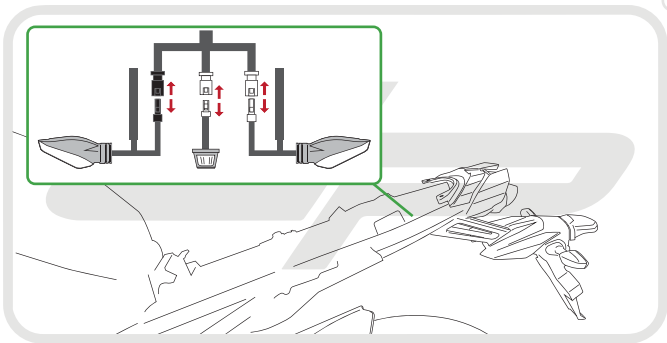




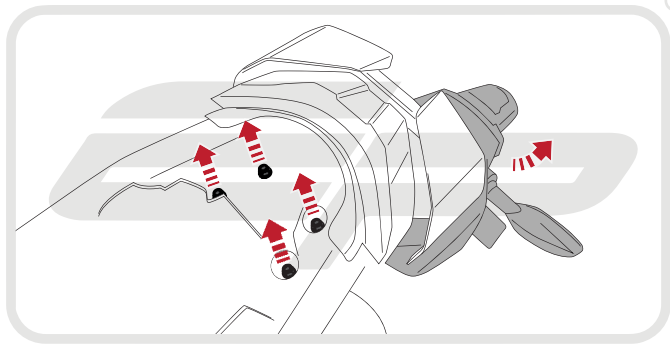
**EVOTECH**<sup>®</sup>  
P E R F O R M A N C E



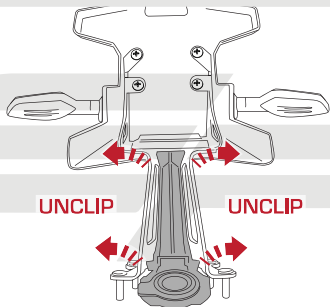


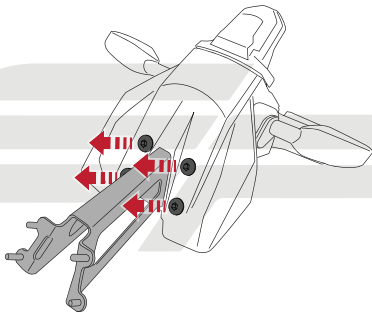


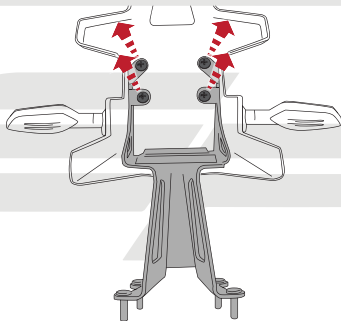


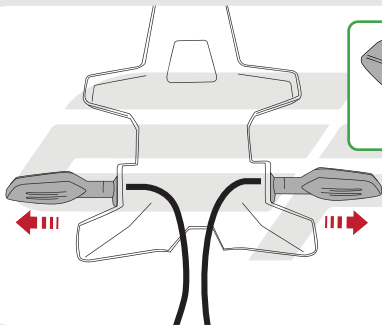
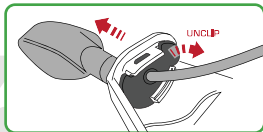


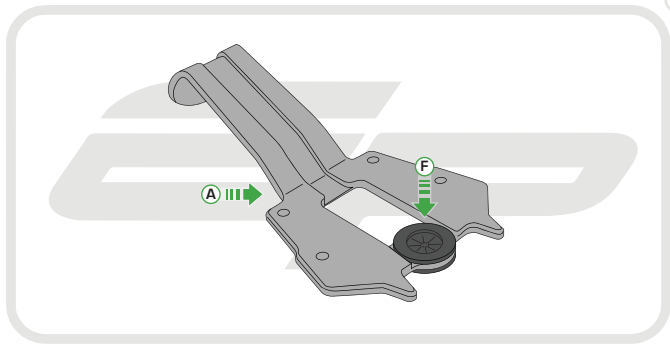
**EVOTECH**<sup>®</sup>  
P E R F O R M A N C E

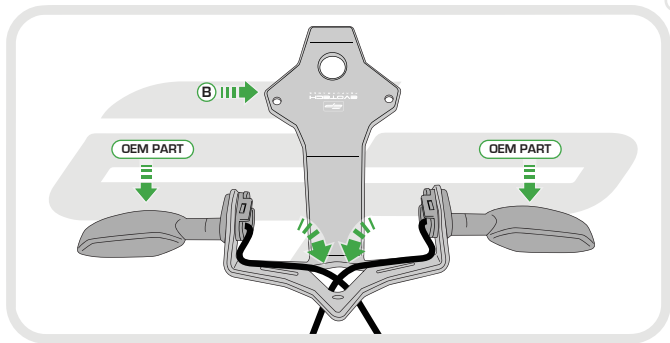


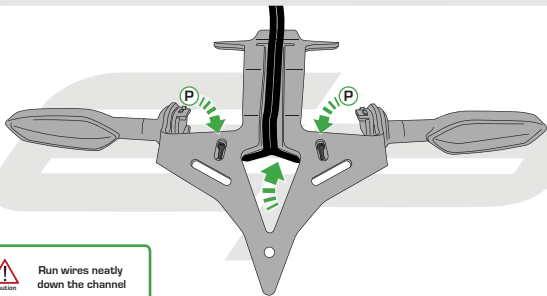








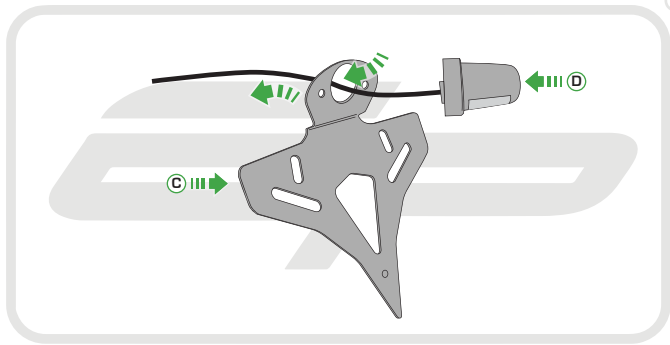




Caution

Run wires neatly  
down the channel







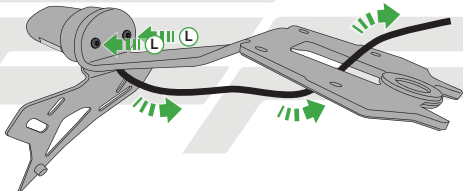
Caution

Sandwich thin cover plate between light and upper bracket ensuring screws pass through all parts



Caution

Pull wires through large slot in the tail tidy NOT through the rubber grommet





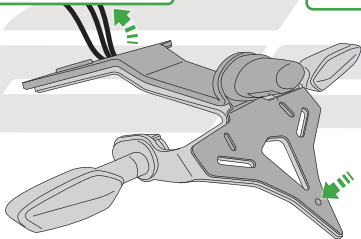
Caution

Pull wires through large slot  
in the tail tidy **NOT** through  
the rubber grommet



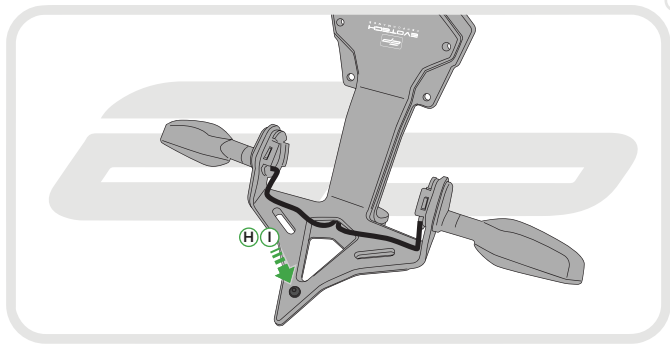
Caution

Run wires neatly down the channel  
in both parts ensuring they  
do not get trapped or squashed

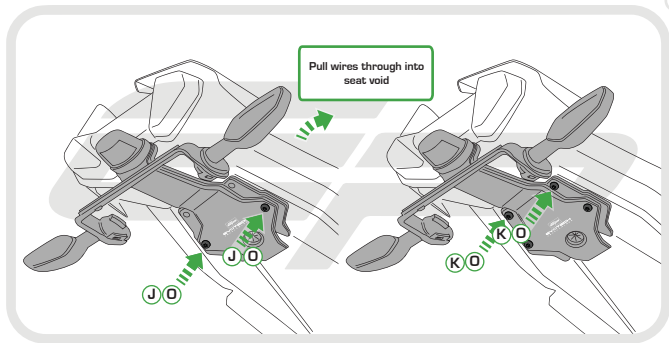


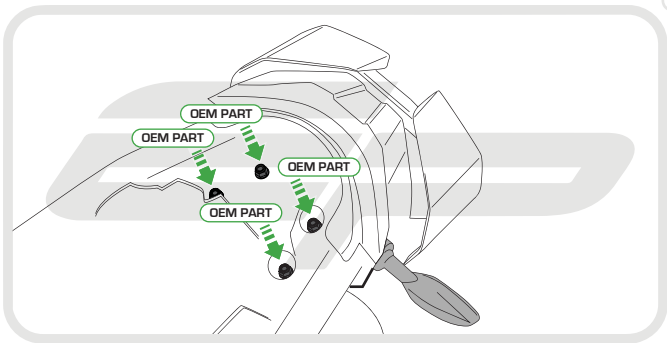
Caution

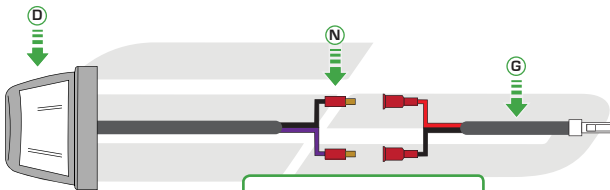
Ensure threaded pin  
locates through the  
hole in main tail tidy



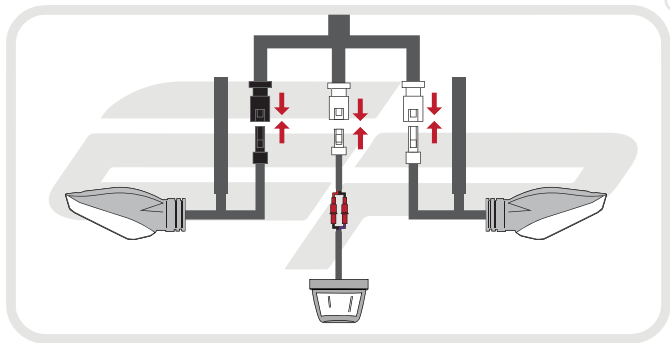
**EVOTECH**<sup>®</sup>  
P E R F O R M A N C E







Take careful note of wire  
configuration - MUST be Red-Black  
and Purple-Black



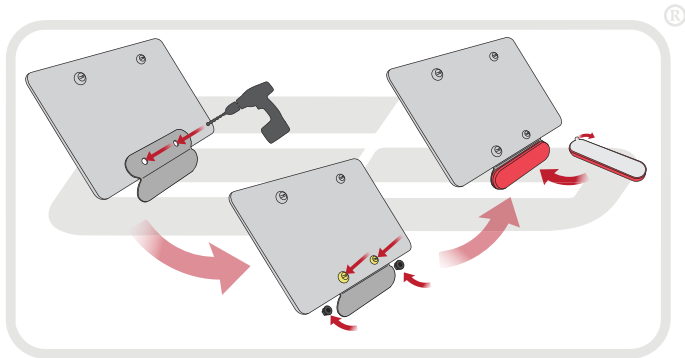




Reverse Stages

6 - 1

## Reflector Bracket Installation



**EVOTECH**<sup>®</sup>  
P E R F O R M A N C E



## ESSENTIAL CHECKS



After installation of your tail tidy ensure that the licence plate does not contact the rear tyre when suspension is fully compressed.

Ensure all electrics including indicators, tail light, brake light and licence plate light lights are working correctly before riding the motorcycle.

It is recommended that periodic inspections are made to ensure that all fixings are fully tightend.