

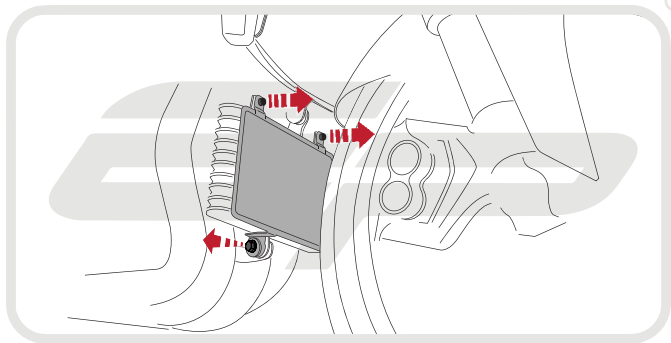


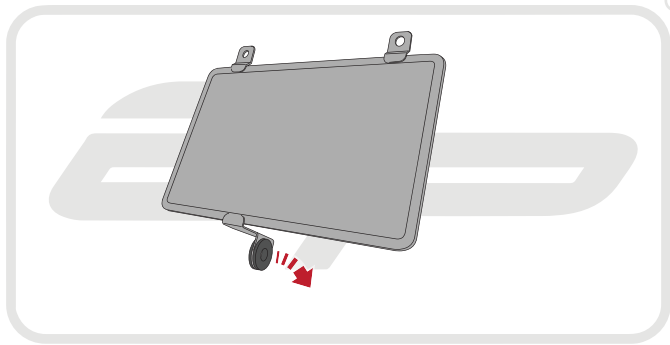
**YAMAHA MT-10
OIL COOLER GUARD**

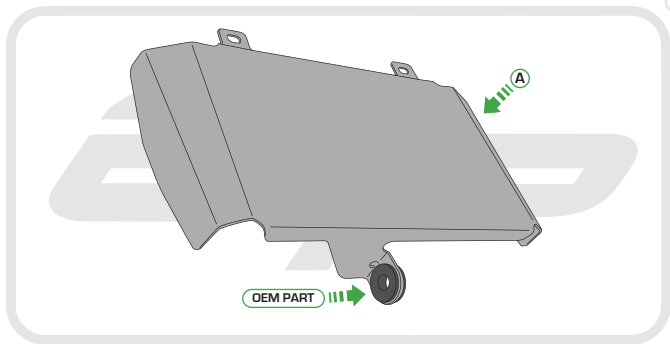
Product Reference - 13230

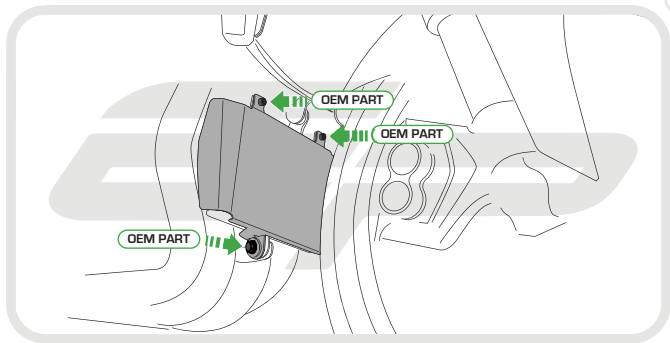
Kit Contents

- Ⓐ 1 x Oil Cooler Guard











ESSENTIAL CHECKS



It is recommended that periodic inspections are made to ensure that dirt and debris have not become trapped between the guard and the radiator/oil cooler. Such dirt and debris would reduce the cooling efficiency of the radiator/oil cooler.

It is recommended that periodic inspections are made to ensure that all fixings are fully tightened.