



EVOTECH®
P E R F O R M A N C E

Installation Instructions

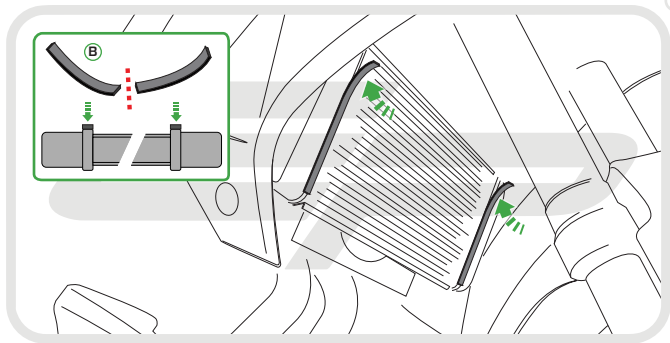


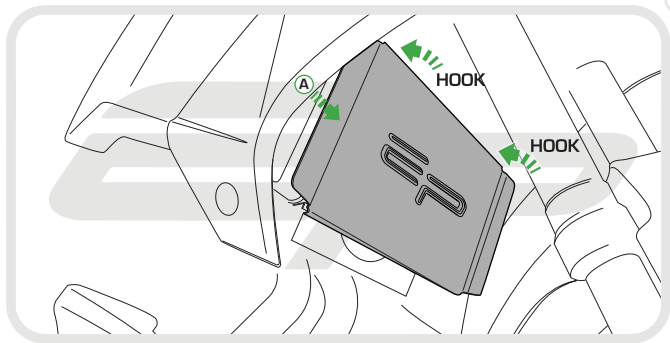
KAWASAKI VERSYS 650 RADIATOR GUARD

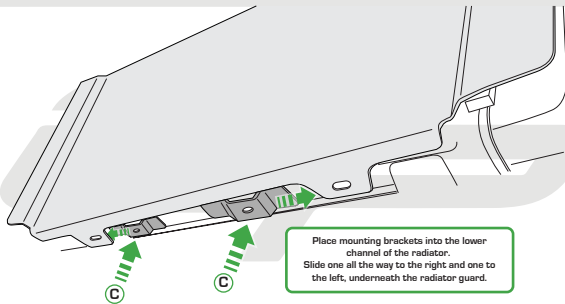
Product Reference - 12420

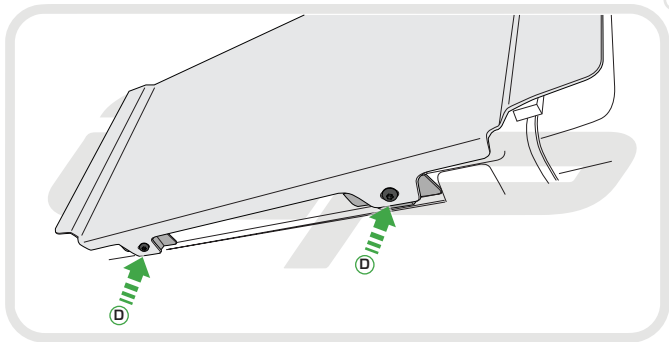
Kit Contents

- Ⓐ 1 x Radiator Guard
- Ⓑ 1 x Neoprene Foam
- Ⓒ 2 x Mounting Brackets
- Ⓓ 2 x M5 - 8 Socket Button Head Screws











ESSENTIAL CHECKS



It is recommended that periodic inspections are made to ensure that dirt and debris have not become trapped between the guard and the radiator/oil cooler. Such dirt and debris would reduce the cooling efficiency of the radiator/oil cooler.

It is recommended that periodic inspections are made to ensure that all fixings are fully tightened.



EVOTECH®
P E R F O R M A N C E

www.evotech-performance.com