



EVOTECH®
P E R F O R M A N C E

Installation Instructions

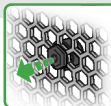
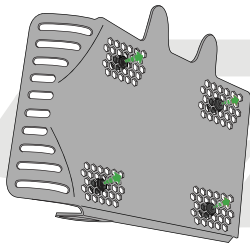


BMW R NINE T 2014 OIL COOLER GUARD

Product Reference - 11859

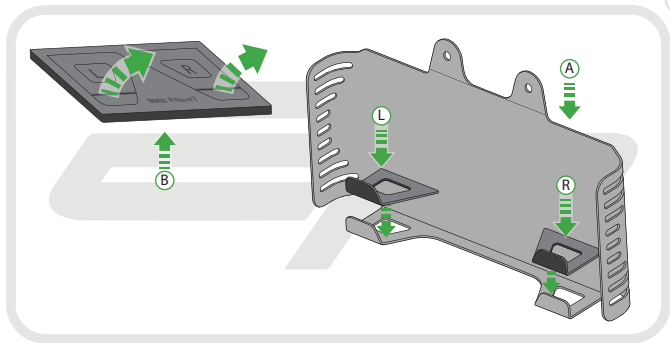
Kit Contents

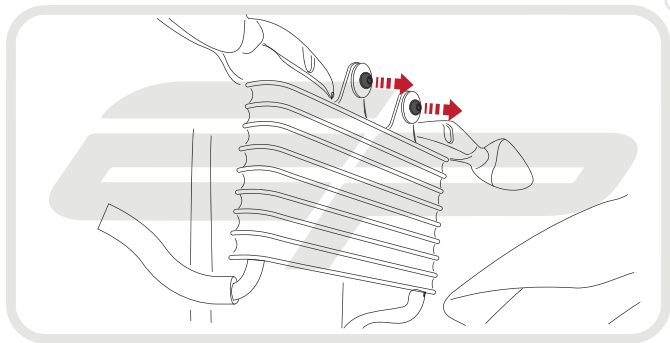
- Ⓐ 1 x Oil Cooler Guard
- Ⓑ 1 x Neoprene Pad
- Ⓒ 4 x Rubber Bungs

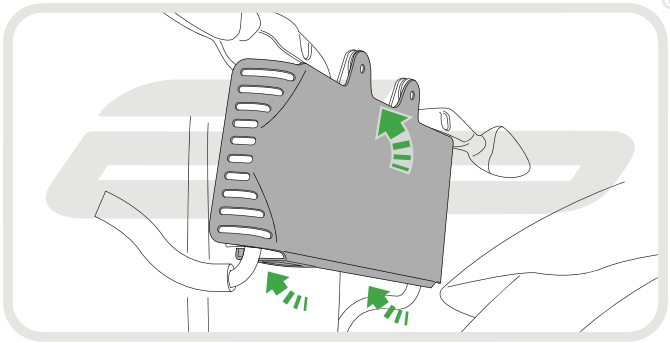


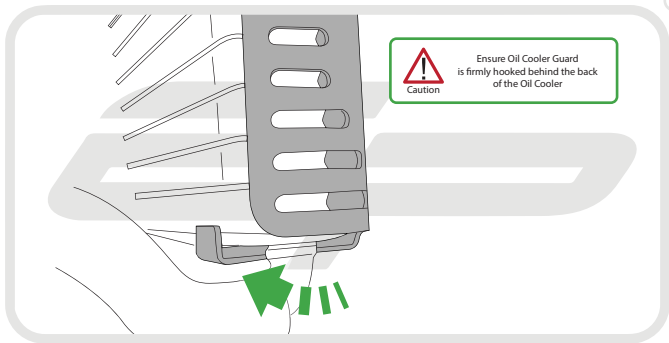
Locate round holes
amongst hexagons.

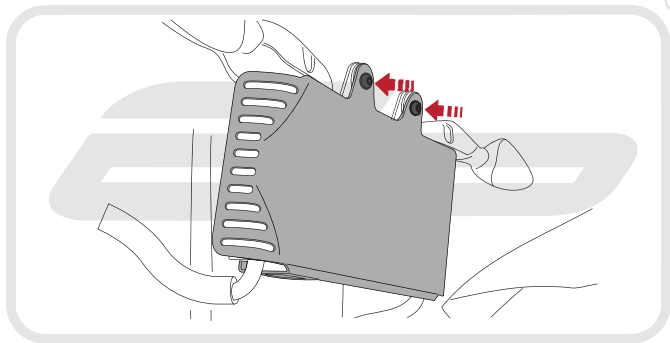
Push Rubber Spacer
through from the
back of the guard
so Hexagonal shape
is on the front face













ESSENTIAL CHECKS



It is recommended that periodic inspections are made to ensure that dirt and debris have not become trapped between the guard and the radiator/oil cooler. Such dirt and debris would reduce the cooling efficiency of the radiator/oil cooler.

It is recommended that periodic inspections are made to ensure that all fixings are fully tightend.



EVOTECH®
P E R F O R M A N C E

www.evotech-performance.com