



EVOTECH®
P E R F O R M A N C E

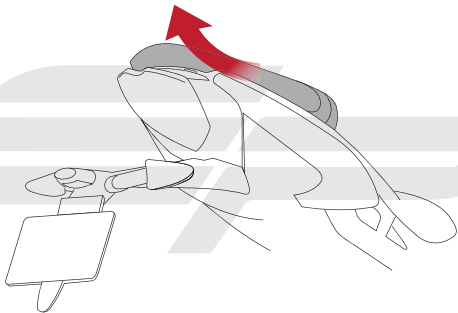
Installation Instructions

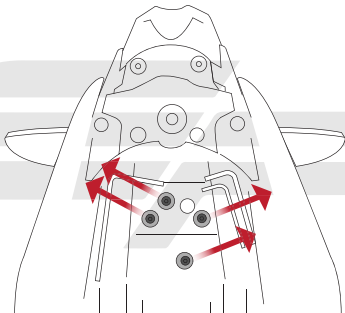
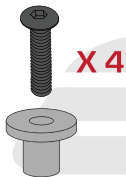
TRIUMPH STREET TRIPLE 2013
TRIUMPH DAYTONA 675 2013
TAIL TIDY

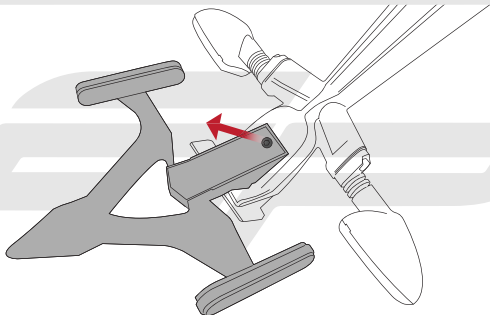
Product Reference - 10833

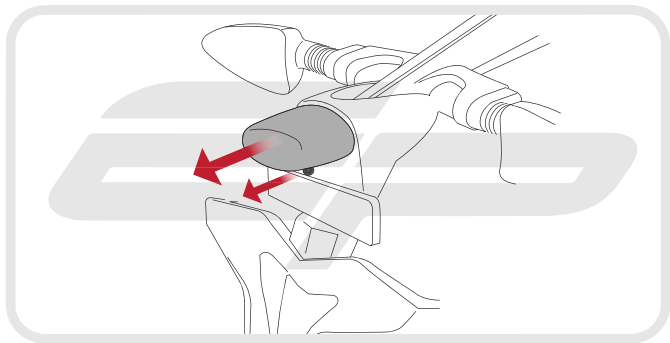
Kit Contents

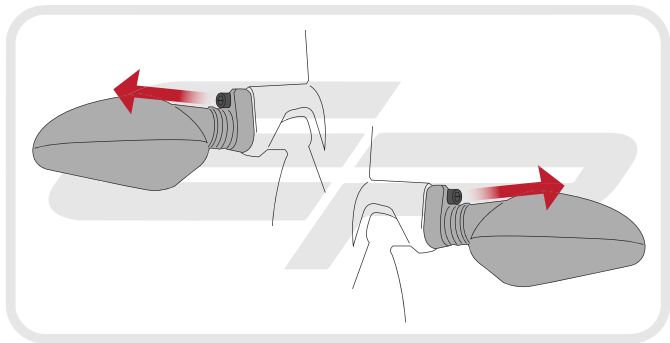
- | | |
|--------------------------------|--------------------------------------|
| A 1 x Plate Bracket | I 1x Wiring Connector |
| B 1 x LHS Bracket | J 2 x Plastic Screws and Nuts |
| C 1 x RHS Bracket | K 2 x Indicator Bosses |
| D 1 x Base Plate | L 2 x Male Bullet Connectors |
| E 1 x LED Light Unit | M 2 x M6 x 16 Cap Heads |
| F 1 x Reflector Bracket | N 3 x Trunions |
| G 1 x Reflector | O 4 x Spacers |
| H 1 x C'sunk M6 x 16 | P 8 x M6 x 16 black Screws |

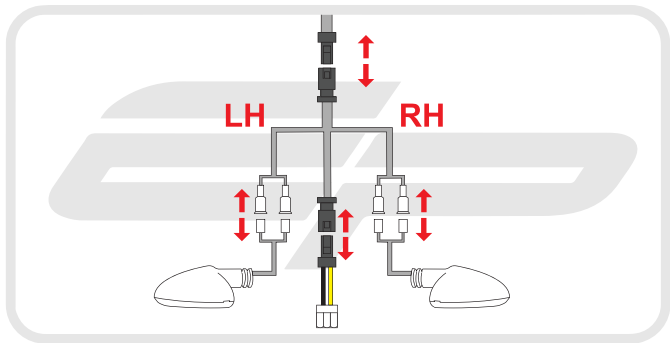


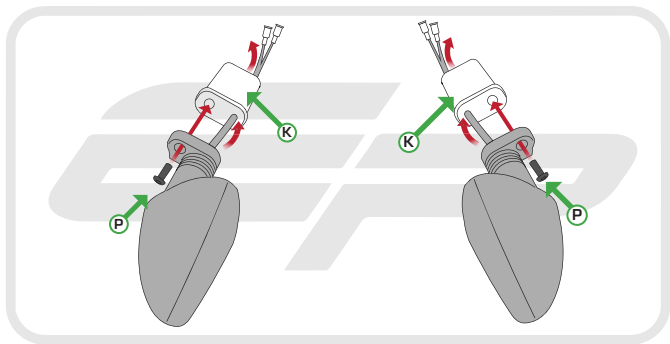


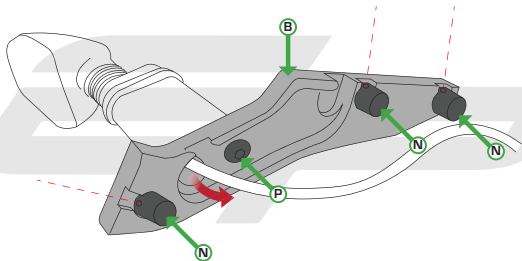


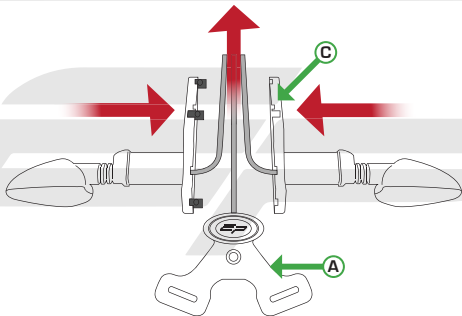


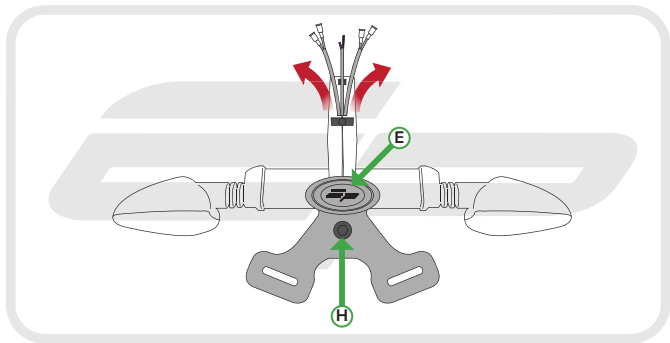




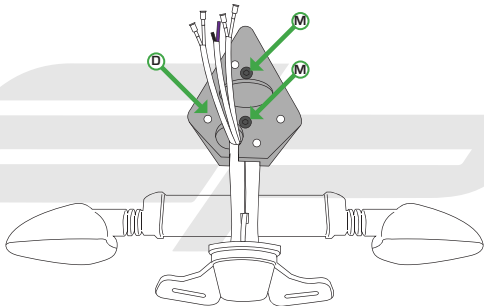


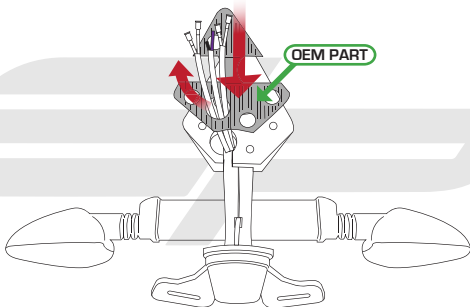


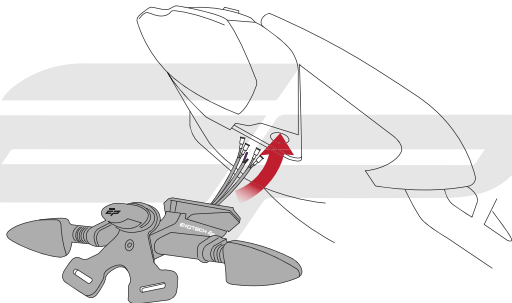




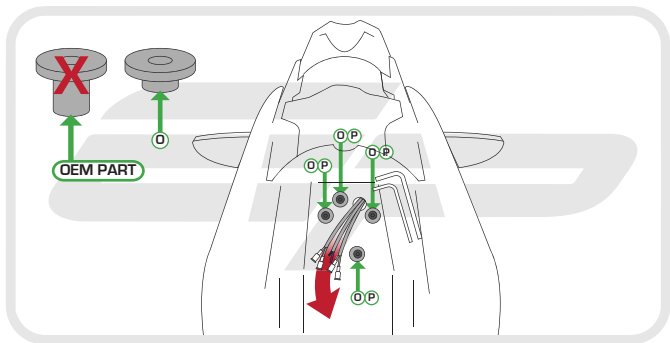
EVOTECH[®]
P E R F O R M A N C E

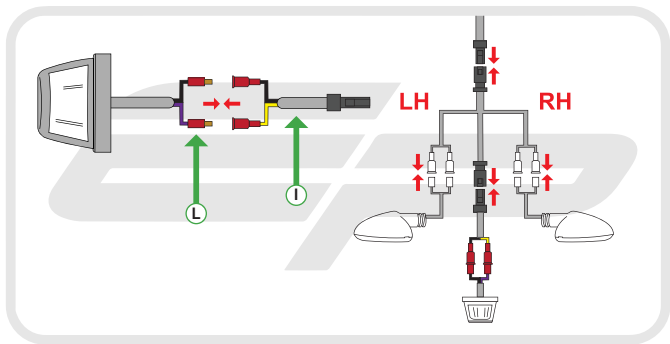






EVOTECH[®]
P E R F O R M A N C E







EVOTECH®
P E R F O R M A N C E

evotech-performance.com