

Standard Conditions of Sale

The catalogue description and any exhibition of samples are only broad indications of the Products and Drury Precision Engineering Limited may make design changes which do not diminish their performance or visual appeal and supplying them in such state shall conform to the order.

The Buyer acknowledges no representation or warranty (other than as to title) has been given or will apply to the Products other than those in Drury Precision Engineering Limited order or confirmation and the Buyer confirms it has chosen the Products as being of merchantable quality and suitable for its particular purposes.

The Buyer is responsible for ensuring that the warranty on the motorcycle is not affected by the fitting of the products.

On return of any defective Products Drury Precision Engineering Limited shall at its option either supply a replacement or refund the purchase money but shall not be liable if the Products have been modified or used or maintained otherwise than in accordance with Drury Precision Engineering Limited instructions and good engineering practice or if the defect arises from accident or neglect.

Other than identified above and subject to Drury Precision Engineering Limited not limiting its liability for causing death and personal injury, it shall not be liable for indirect or consequential loss and otherwise its liability shall be limited to the amounts paid by the Buyer for the Products.

These terms do not affect the Buyer's statutory rights.
If you require any further information, then please contact us:

Phone: UK Callers: 0800 634 2801
International Callers: +44 1507 466729
Fax: +44 (0) 1507 462 790
Email: sales@evotech-performance.com

Please note that the above is for your information only and does not constitute the Terms and Conditions of your purchase. These can be found on our website www.evotech-performance.com. If you do not have internet access, you can obtain our Terms and Conditions by writing to us at the above address.

Returns, Refunds and Replacements

We hope you are happy with your purchase from Evotech Performance. However, if you wish to return or replace a product, then please carefully read the information and follow the instructions below before sending back your item.

If, within 30 days, you wish to return a product that is not faulty, we will be happy to accept it back, providing that it is undamaged and in a re-sellable condition. You will have to pay the return postage and we will discount your refund by a 10% re-packaging and re-stocking fee. We will not refund the original postage.

If the product is faulty, or the wrong part, or any other reason that is our fault we will also refund the return postage costs.

In either event, please ask for advice when you wish to return anything by calling 0800 634 2801 or by emailing sales@evotech-performance.com, we will advise the best method of returning it.

If a product should develop a fault after 30 days, please contact us to discuss.

Please let us know why you wish to return the product.

If you are returning faulty goods, you are entitled to a refund or a replacement part. Please indicate which you prefer.

Please ensure that the goods are packed securely, and include all of the original parts, using the original packaging where possible. If necessary place in suitable extra packaging to protect the goods whilst in transit to us.

Please make sure that you obtain and retain Proof of Posting Certificate from the Post Office when you return your goods. This is to protect you in the event that your goods are lost in transit; they remain your responsibility until they reach us.

Returns Address:

Evotech Performance, Beechings Way, Alford, Lincolnshire, LN13 9JE, United Kingdom.



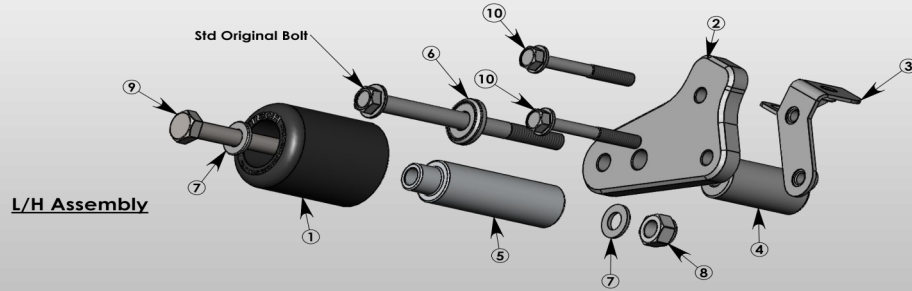
EVOTECH
P E R F O R M A N C E

Installation Instructions Kawasaki ER6N Crash Protection

**Product Reference
10472**

www.evotech-performance.com

PART NUMBER	DESCRIPTION	LH Assy/QTY.
007259	Bobbin Head	1
010473	L/H Bobbin Plate	1
010475	L/H Horn Bracket	1
010476	L/H Frame Spacer (47mm)	1
010478	Bobbin Spacer	1
010479	Bolt Cap	1
N/A	M10 Washer	2
N/A	M10 Nyloc	1
N/A	Hex M10 - 110 x 1.5	1
N/A	Flange Hex Bolt M8 x 65	2

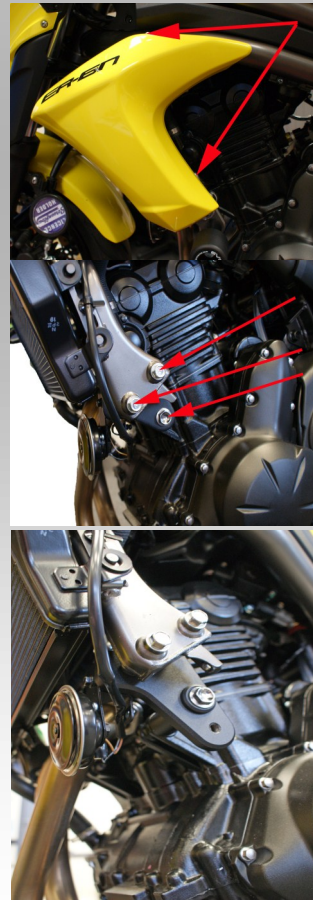


L/H Assembly

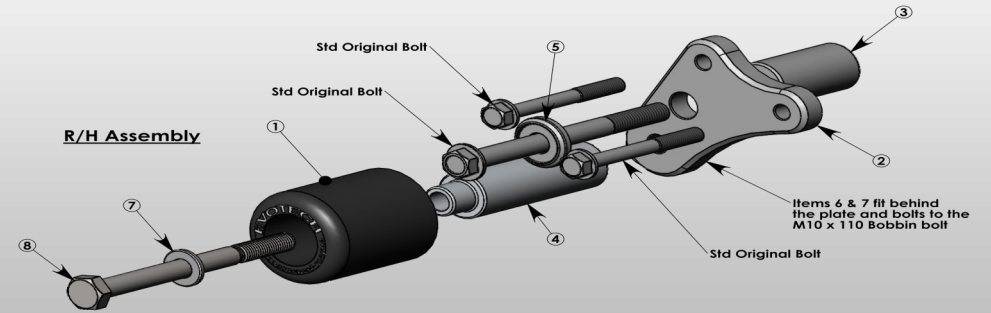
Fitting Instructions

Left Hand side of bike

1. Side panels as shown.
2. Disconnect horn and remove wire cable holder.
3. Remove main engine mount bracket as shown in picture.
4. Mount main bracket 2 to bike using spacer 4 and original bolt washer and bolt cap.
5. Mount horn bracket to the bike and main bracket using 2 x M8 x 65 Flange bolts.
6. Refit horn and wire cable holder using original bolt.
6. Mount bobbin head 1 and spacer 5 to main bracket using M10 x 110 x 1.5 pitch and washer. Fit a washer and nut to the back on the bolt.
7. Assembly fairing panel



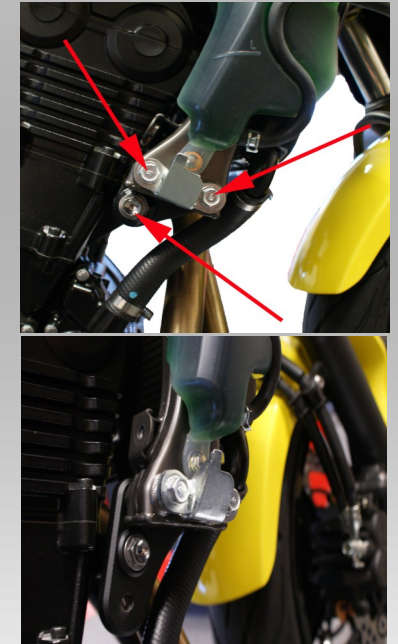
PART NUMBER	DESCRIPTION	RH Assy/QTY.
007259	Bobbin Head	1
010474	R/H Bobbin Plate	1
010477	R/H Frame Spacer (44mm)	1
010478	Bobbin Spacer	1
010479	Bolt Cap	1
N/A	M10 Nyloc	1
N/A	M10 Washer	2
N/A	Hex M10 - 110 x 1.5	1



R/H Assembly

Right hand side of bike

1. Remove Side panels as shown.
2. Remove main engine mount bracket as shown in picture.
3. Fit bracket 2 and spacer 3 plus washer 5 to bike using 3 original bolts.
4. Fit stem 2 and bobbin head to the bike using M10 X 110 X 1.5. Fit a washer and nut to the back on the bolt.
5. Reassembly panels



Please visit: www.evotech-performance.com
to view our full product range