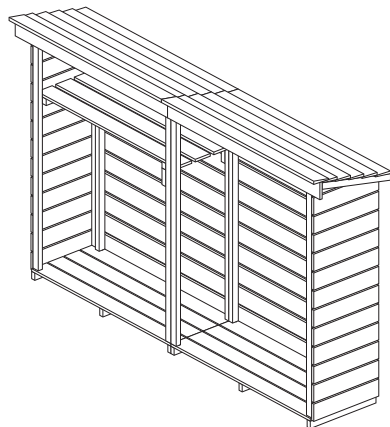


Large Log Store

English SS269

Help Line (Normal Office Hours) 01829 261 121

Assembly Instructions



Before assembly

- We recommend that time is taken to read the instructions before starting assembly, then follow the easy step by step guide. The instruction sheet is only a guide to the assembly. Certain items may not be shown to scale.
- Check all components prior to assembly
- Drill all components where indicated.
- This product should be assembled by no less than two people.
- Never attempt to erect the assembly in high winds.

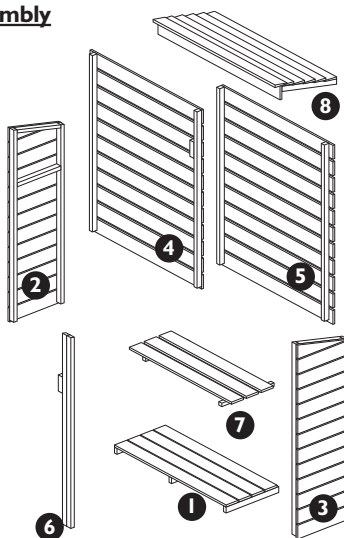


Recommended tools for assembly

- Cross head screw driver
- Drill with 3mm diameter drill bit
- Spirit level

No.	Components	Qty.
1	Floor	2
2	Left side panel	1
3	Right side panel	1
4	Left back panel	1
5	Right back panel	1
6	Centre support	1
7	Shelf	1
8	Roof	2

No.	Fixing kit	Qty.
9	50mm screws	25
10	25mm screws	24
11	Metal L-brackets	6

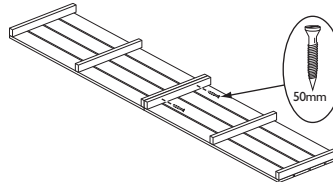


1. Floor assembly

Place the floor panels upside down, secure them together using 2 x 50mm screws. Once secured turn up the right way.



It may be necessary to drill pilot holes for the screws in this section.

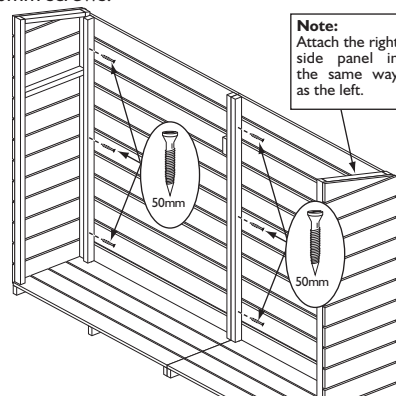


2. Wall panels

Position the left back and side panel on the floor so that the frame sit on the floor and the cladding overhang the floor edge. Secure through the frame of the back panel into the frame of the side panel using 3 x 50mm screws. Build the right back and side panel in the same way. Join the two back panels together using 3x 50mm screws.



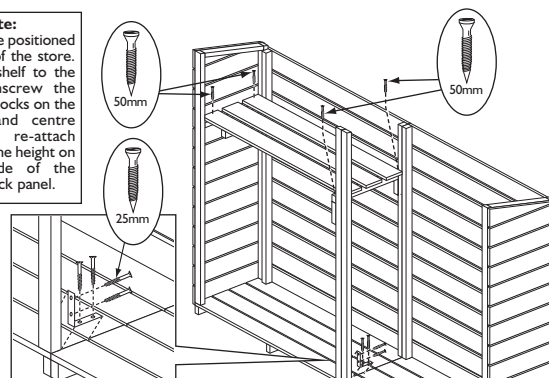
It may be necessary to drill pilot holes for the screws in this section.



3. Shelf and centre support

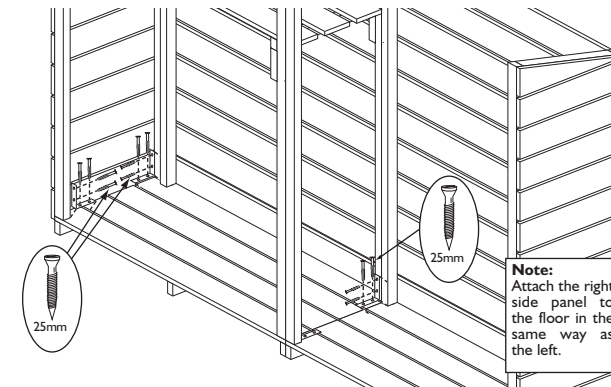
Position the shelf so that it rests on the shelf support of the side panel and the shelf support blocks on the back panel and centre support. Secure using 2 x 50mm screws at each end. Secure the bottom of the centre support to the floor using an L-bracket and 4 x 25mm screws.

Important note:
The shelf can be positioned in either side of the store. To move the shelf to the other side unscrew the shelf support blocks on the back panel and centre support and re-attach them at the same height on the other side of the support and back panel.



4. Secure the walls to the floor

Fix the wall panels to the floor using five L-brackets and 4 x 25mm screws per bracket. Two brackets for each side panel and one for the centre of the back.

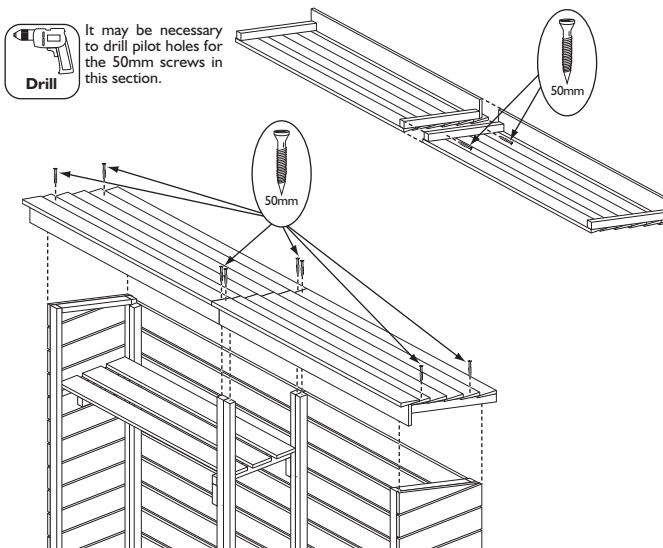


5. Roof

With the roof panels upside down, secure them together using 2 x 50mm screws. Once secured turn up the right way. Place the roof onto the main assembly and attach to each side panel by screwing 2 x 50mm screws down through the roof into the top frames of the side panels. In the middle of the roof, screw 2 x 50mm screws through the roof into the centre support and 2 x 50mm screws into the centre frame of the back panel.



It may be necessary to drill pilot holes for the 50mm screws in this section.



We constantly improve the quality of our products, occasionally the components may differ from the components shown and are only correct at time of printing. We reserve the right to change the specification of our products without prior notice.

2011 © Rowlinson Garden Products Ltd.