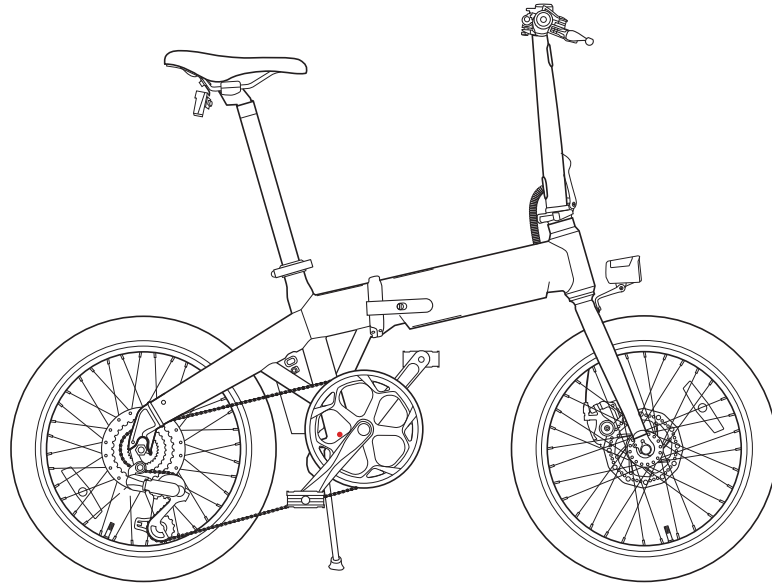


# Z20

Electric Help For Bicycles



HIMO

## Precautions for use

**E–Scooter and E–Bike laws differ by State – check your local laws and only ride in legally permitted areas.**

**Use helmets, protective gear and always ride responsibly.**

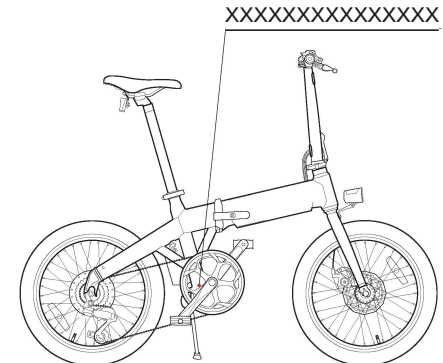
## Safety tips for electric bike use

- Please strictly abide by the traffic laws and regulations, prepare helmets, protective equipment and other protective equipment before riding, and pay attention to cycling safety.
- Always ride with both hands on the handle.
- Do not park in building doors, evacuation staircases, walkways, and safety exits.
- Do not charge inside residential building and park
- Stay away from combustible when charging.
- Please charge according to suggested time, do not charge for too long.
- Use and store the batteries correct; batteries should never be disassembled.
- Read all warning terms before riding or charging, only use original charger.
- When adjusting the saddle position, do not exceed the safety line on the supporting tube.

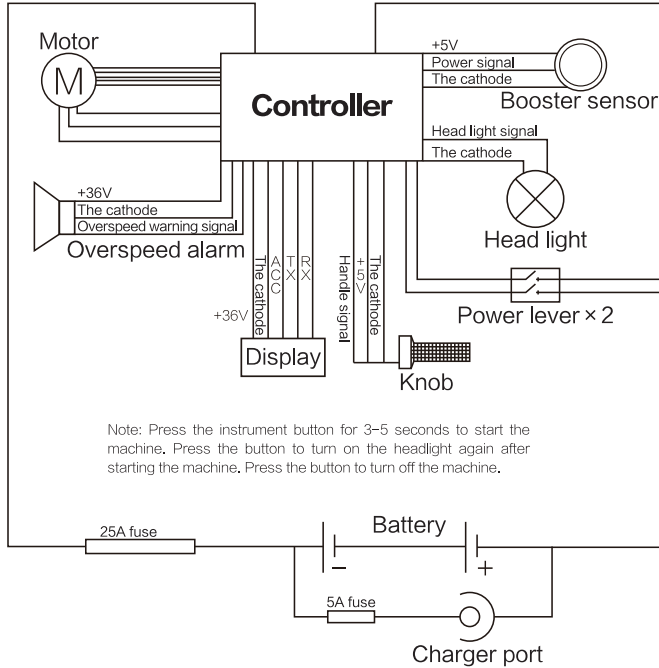
## Checklist before riding

The power circuit and lighting are working.  
The front and rear brake lever are working.  
The handlebars are tightened.  
The front & rear wheels are tightened.  
The tire pressure is normal.  
Check the reflector for contamination before cycling.

## Bike coding position



# Electrical schematic diagram



\*The drop point circuit USES a 25A plug type insurance;

\*The charging circuit USES 5A plug type insurance;

# Specification

Size(lengthxwidthxheight)	1470 × 610 × 1095mm
Folding	860 × 430 × 740
Max weight	965mm
Max weight	21.6kg
Maximum design speed	25km/h
Assisting rang	≈ 80km
Electric range	≈ 55km
Consumes electricity(100km)	0,65kW · h/100km
Loading weight	≤ 100kg

Under the condition of full power,the endurance is 75km,the temperature is about 25°C,the environment of flat road is still without wind,and the driving condition is measured at 15km/h uniform speed under the energy-saving mode.The actual endurance will be different due to factors such as load, temperature,wind speed,road surface and operating habits.

# Battery Spec

Battery type	Lithium ion battery
Capacity	10Ah
Voltage	36V

# Motor Spec

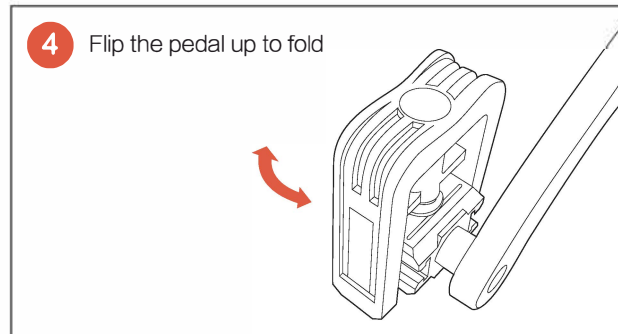
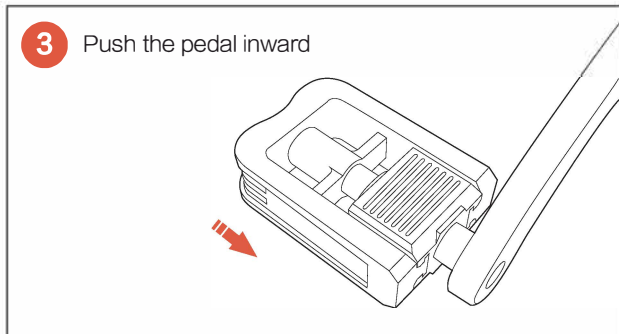
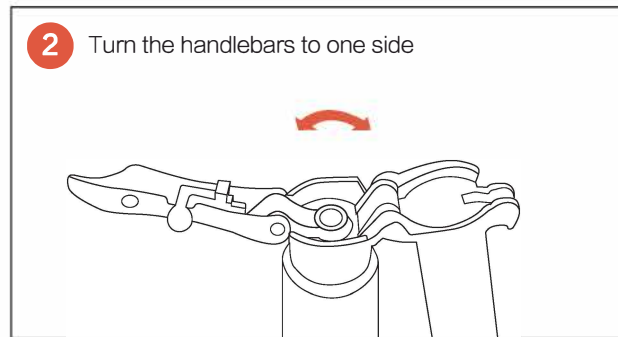
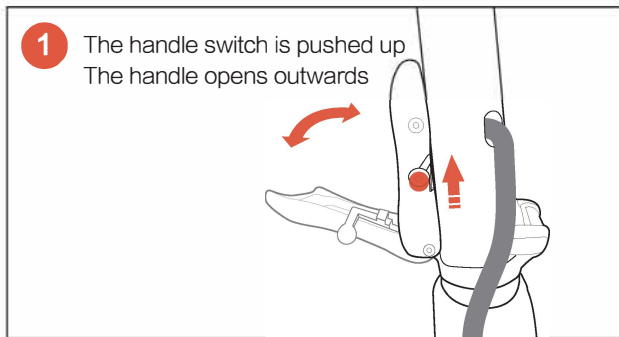
Motor type	Brushless dc motor
Rated power	250W
Rated speed	260r/min
Voltage	36V

# Controller Spec

Under voltage protection	31 ± 2V
Over current protection	15 ± 2A

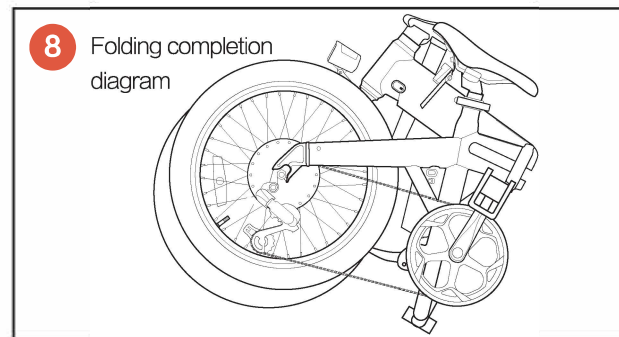
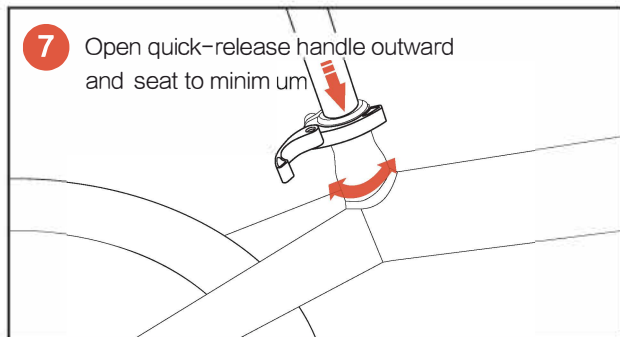
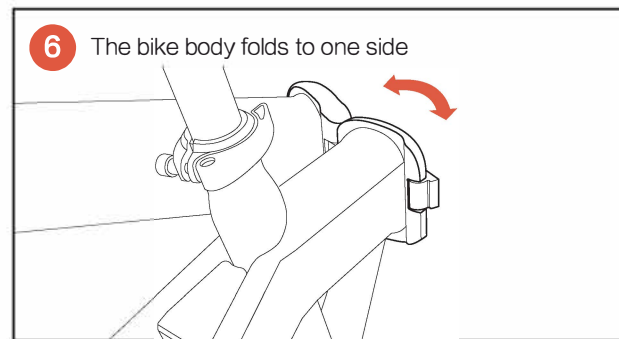
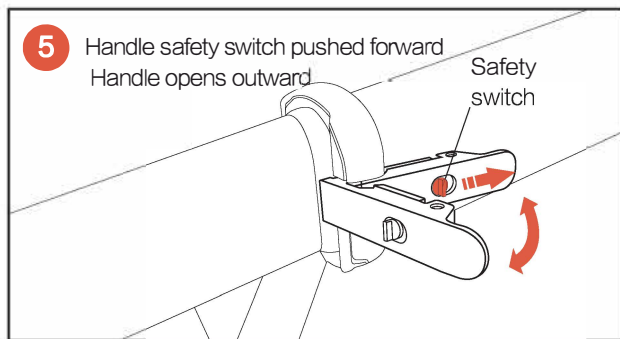
## How to fold

### Folding step

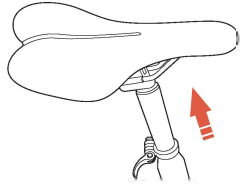


## How to fold

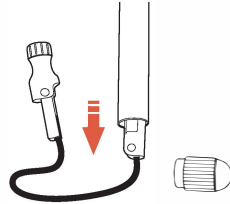
### Folding step



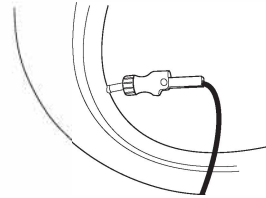
## Steps to use pump



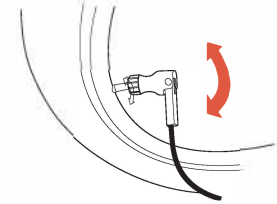
1. Open the quick-release tube clamp and pull out the seat



2. Unscrew the cap and draw out the air cylinder assembly

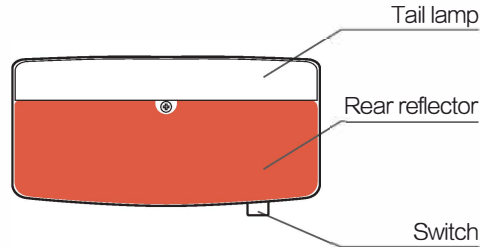


3. Plug the air nozzle tightly into the tire nozzle



4. The 90-degree hand grip of the flip fastener will inflate

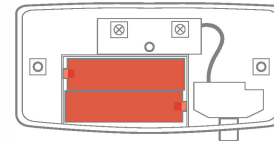
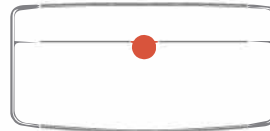
## Taillight opening and maintenance



- The taillight is designed as an independent switch. Press the switch when in use.

## Change the battery

- Prepare 1 phillips screwdriver and 2 batteries.
- Remove the rear light, unscrew the front panel screw, open the rear housing, and replace the battery.
- Fasten the rear shell, twist the screw, install it on the fixing plate, and replace the battery.



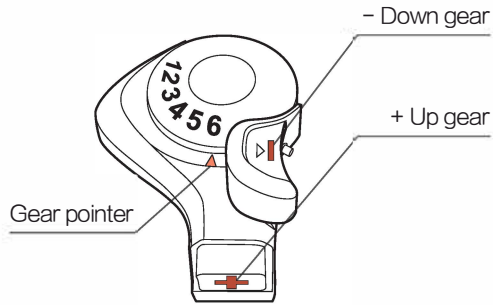
Phillips screwdriver



No.7 batteries  
2 pcs

# Gears

## Understand the gears



Gear	Intensity	Speed
1-2	Relax	Slow
3-4	Moderate	Moderate
5-6	Hard	Fast

- To speed up, start with a lower gear and shift to a higher gear as you speed up
- When going uphill, use a lower gear
- On a flat terrain, use a higher gear

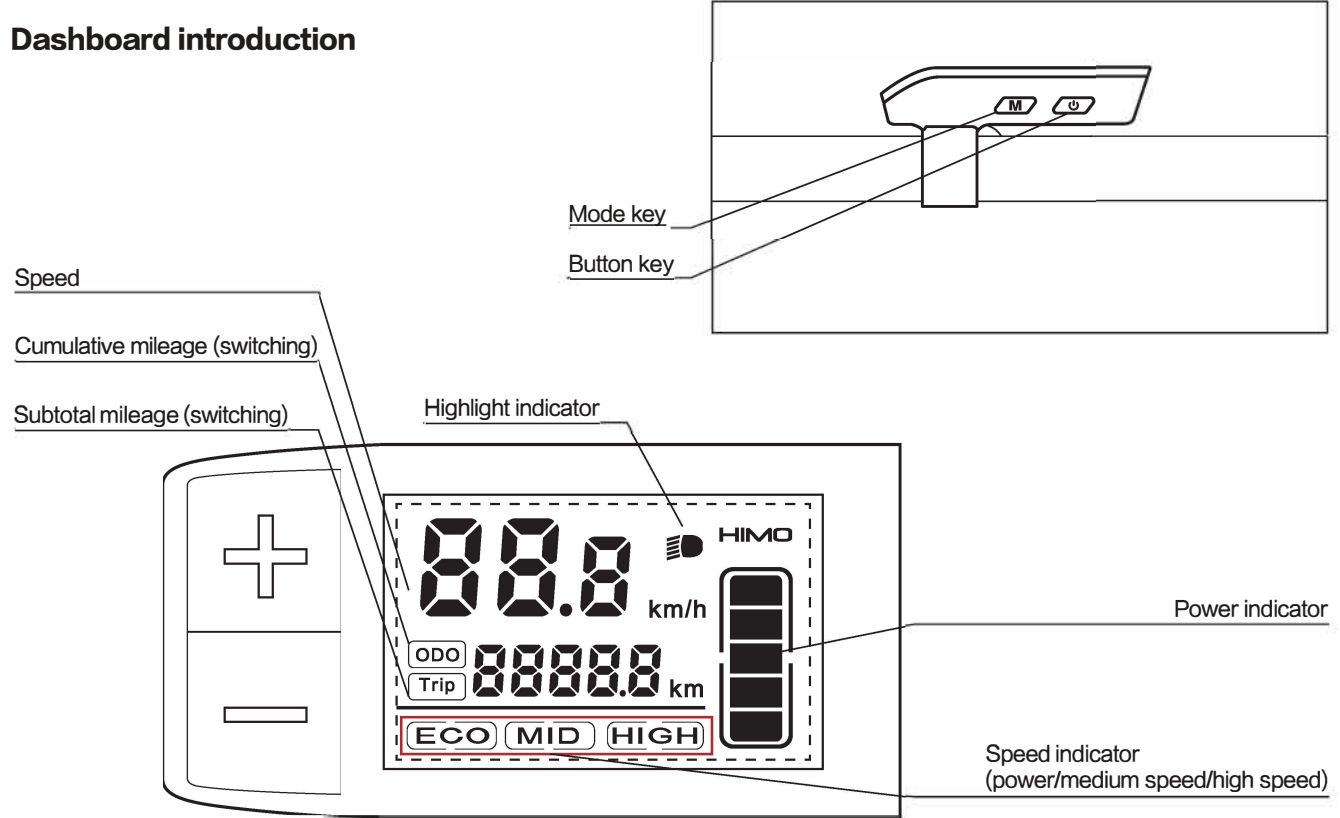
Above is only cycling advice, please modify according to personal preferences.

## When changing gears, please take note on:

- When cycling, do not skip gears, as this might damage the system. Do not change more than one gear at a time. You should change gear gradually to avoid damaging the system.
- Do not reverse gear system when the bike is not moving, or when it is going downhill. This will damage the system, and may cause accidents.
- When the gearing system is inaccurate or faulty, please repair the bike at a professional bike shop.

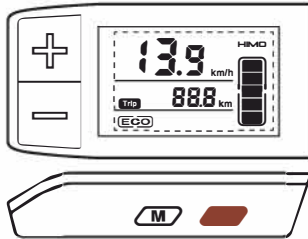
# Dashboard and cycling mode


## Dashboard introduction



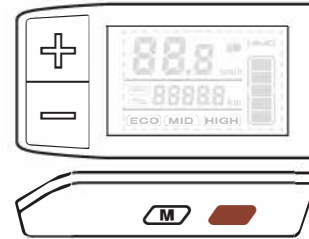



## ▪ Power cycling



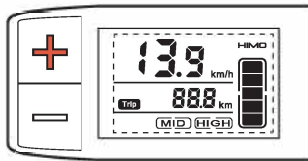
- Long  press for 3 second to start thebike;
- The default mode is "ECO" assisted cycling mode
- Start this mode when the pedaling speed reaches 5KM/H.



## ▪ Human pedaling



- Long press  for 3 seconds,shut down the bike;
- Pedaling is enough.


## ▪ Electric riding(DISABLED according to ANZ regulations)



- Press  button to switch to "MID"elec-tric cycling mode medium speed gear;This mode can be started by turning the handlebar or when the speed exceeds 5KM/H.
- Press  to switch to the high speed gear of "HIGH" electric riding mode;This mode can be started by turning the handlebar or when the speed exceeds 5km/h.

## ▪ Parking mode



- In the startup state;
- Long press the  3 seconds key to switch mode to "P",
- Open parking mode.

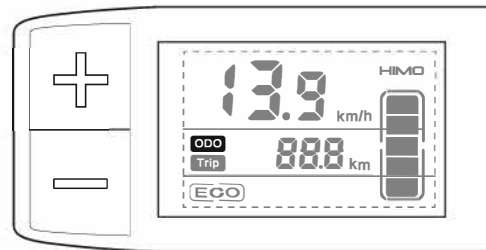
- The headlight switch

- Long press **+** for 3 seconds to turn on the lights;
- Long press **+** to turn off the lights for 3 seconds;



- Mileage pattern

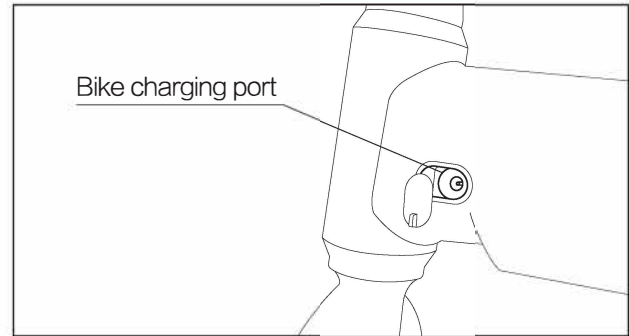
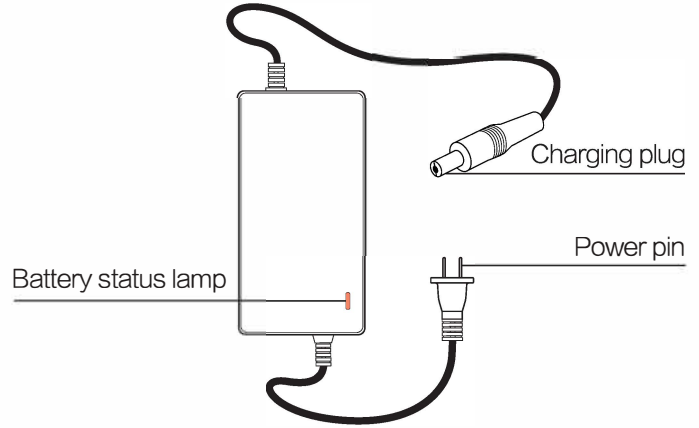
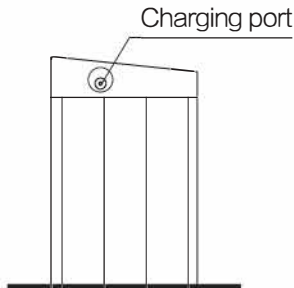
- In the startup state;
- Press **M** to rotate between TRIP → ODO



# Battery instructions

## How to charge:

- **IMPORTANT:** connect the charger to the charging port of the battery first, then connect the charger to power supply.
- When charging, the indicator light on charger is red, and it will turn green when fully charged.
- Disconnect charger from the power supply after charging.
- If you want to charge the battery while it is in the bike, please first turn off the bike power.



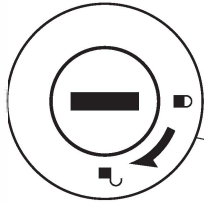
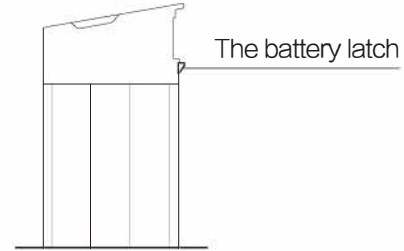
# Battery instructions

## Battery removal and installation

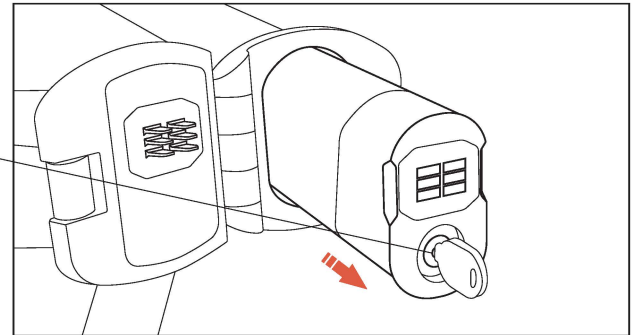
- Insert the key and turn it to the end in the direction indicated by the arrow. Release the battery lock and pull back to take out the battery pool.

---

- Push the battery into the bottom slowly, and the battery installation will be completed when the battery latch springs back and locks.

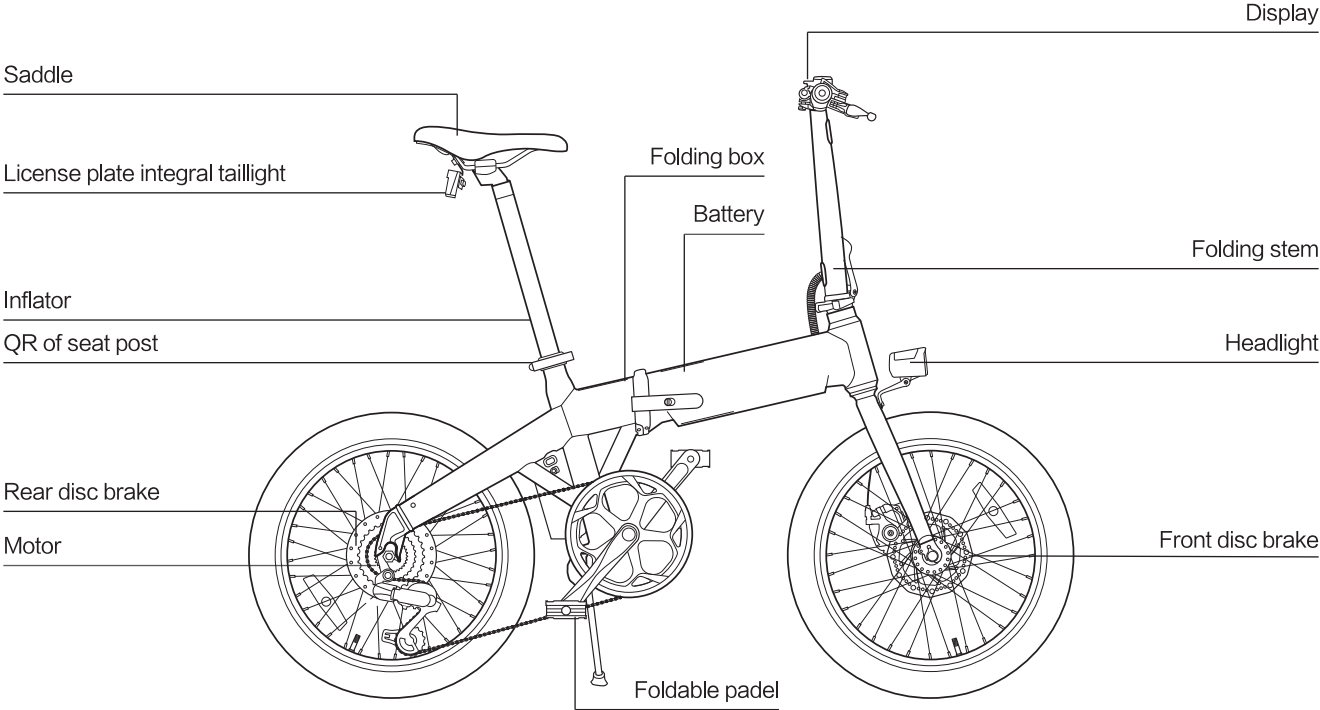


Battery lock



Note: The key cannot be pulled out when the battery lock is open.

# Parts information



## The battery

### Instructions before use of lithium battery

Only use original battery of the bike, never use non-authentic battery or battery of any other brands.

Before use, ensure lithium battery is intact, there is no damage, fluid leakage, overheating, smoke and other abnormality.

Please charge the battery before first use or after long-term storage.

### Using the environment

- The best operating environment is 10 °C–45 °C
- At low temperature, available capacity of lithium battery will decrease accordingly: about 70% at -10 °C, 85% at 0 °C and 100% at 25 °C .If the battery show signs of odor, heat, deformation and other abnormality, please stop using the battery immediately. Please stay away and isolate the battery. Contact the after-sales department.

## Warning

The battery is not a part that can be repaired by the user. If there is any abnormality, please contact the after-sales department for maintenance.

Unauthorized disassemble of the battery will void the warranty. Disassembling may cause the battery to generate heat, smoke, fire or explosion.

## Charging environment

- Only use the original charger to charge the battery. Do not use other brand or other model charger to charge the battery.
- Please charge the battery at the ambient temperature of 10 C ~ 40 C with good ventilation, stay away from any flammable substances.
- Do not charge for more than 12 hours, overcharging will affect the battery life and cause safety hazards.
- Charging speed varies under different conditions.
- When the environmental temperature is below 0 C , the battery will stop charging.
- ■Never charge outdoor in bad weather condition.
- Keep children away from the battery when charging, as the surface of battery will heat up and might cause burns if handle inappropriately.

## Storage environment

- Remove the battery from bike when not in use, as power drain of the battery will happen if it is left on the bike.
- Please store the battery separately in the ambient temperature from 0 °c to 25 C. Do not store the battery in an environment higher than 45 C. High temperature will damage the capacity of battery.
- The best storage condition for a battery is at 50% power capacity. Long-term storage at less than 10% or more than 90% of power capacity will lead to irreversible damage. Please charge the battery to 50% regularly even when not in use, as power exhaustion might happen if it is left on 10% power for prolong time.
- Avoid storing batteries in unsafe locations. Falling may cause injury to people and will damage the battery interior. This may cause battery leakage, overheat, smoke, fire, explosion and other abnormality.

# Maintenance and repair

## Maintenance and cleaning instructions

- Do not wash with water. Water will damage internal electronic components and wiring.
- Please use neutral cleaner, wipe painted or plastic parts surface with a damp cloth, then wipe with a dry cloth.
- Please use lubricating oil on the metal parts of the bike body for maintenance.
- Do not oil the brake parts to avoid causing brake failure.

## Regular inspection

- check if screws are fastened and all the joints of parts are in good condition
- check if tire is worn and cracked, if tire pressure is appropriate, if the power system is working well
- check if the brake system is working properly.

## Bike storage method

- Do not store bike or any part of the bike outdoors, under strong light or below zero, and keep it at least 2m away from heat source (heating equipment, etc.).
- Store in a dry, clean, well-ventilated indoor environment where the temperature is 10°C - 45°C and the relative humidity is no more than 90%.
- If you do not intend to use the bike for a long time, charge the battery to 50% regularly (generally about two months apart) to maintain battery performance, store the battery separately.
- This product should be kept away from corrosives, mechanical impact and heavy objects.



## Trouble shooting

Issue	Reason	Solution way
No power	No power supply for bike	<ul style="list-style-type: none"><li>▪ Check whether the battery is properly inserted</li><li>▪ Charge the battery</li></ul>
Turn on the power and twist the handle. Motor does not start	<ul style="list-style-type: none"><li>▪ In the braking state</li><li>▪ Start switch fault</li></ul>	<ul style="list-style-type: none"><li>▪ Whether the brake lever is on the brake</li><li>▪ Pedal to 5km/h</li><li>▪ Remove P mode</li><li>▪ Please contact after-sales service</li></ul>
Insufficient range	<ul style="list-style-type: none"><li>▪ The battery is undercharged</li><li>▪ Tire pressure is low</li><li>▪ Frequent braking</li><li>▪ Battery aging</li><li>▪ Low temperature</li></ul>	<ul style="list-style-type: none"><li>▪ Check if the charger damage or not</li><li>▪ Check tire pressure before using</li><li>▪ Develop good driving habits</li><li>▪ Replace the battery</li></ul>
The battery won't charge	<ul style="list-style-type: none"><li>▪ The charger is not plugged in properly</li><li>▪ Battery temperature s too low</li><li>▪ Battery temperature is too high Battery</li><li>▪ under voltage</li></ul>	<ul style="list-style-type: none"><li>▪ Check whether the power plug is loose</li><li>▪ Wait for the battery to resume charging temperature</li><li>▪ Wait for the battery to resume charging temperature</li><li>▪ Contact customer service</li></ul>

# RoHS

Bike name	Electric help for bicycles					
The name and content of harmful substances in the product						
Parts name	Hazardous substance					
	(Pb)	(Hg)	(Cd)	(Cr(VI))	(PBB)	(PBDE)
Display	○	×	○	○	○	○
Head lamp	○	×	○	○	○	○
Tail lamp	○	×	○	○	○	○
Battery	○	×	○	○	○	○
Controller	○	×	○	○	○	○
Charger	○	×	○	○	○	○

1、 This form is prepared in accordance with the provisions of SJ/T 1136

O:Indicates that the content of the hazardous substance in all homogeneous materials of the part is below the limit set by GB/T 26572.

X:Indicates that the content of the hazardous substance in at least one homogeneous material of the component exceeds the limit specified in GB/T 26572.



The principal: Shang hai HIMO Electric Technology Co. LTD  
Manufacturers : Tianjin Fuji-ta Technology Co. LTD  
Producer: Tianjin Fuji-ta Technology Co. LTD  
Manufacturer add: Taian road and AIMA road, south distr development zone, tianjin  
Distributor: Panmi Pty Ltd  
Address: 174 Broadway Chippendale 2008 Australia  
Warranty and Support  
Email: [support@panmi.com.au](mailto:support@panmi.com.au)  
Web: [www.panmi.com.au/warranty](http://www.panmi.com.au/warranty)  
Phone: 1800 070 031