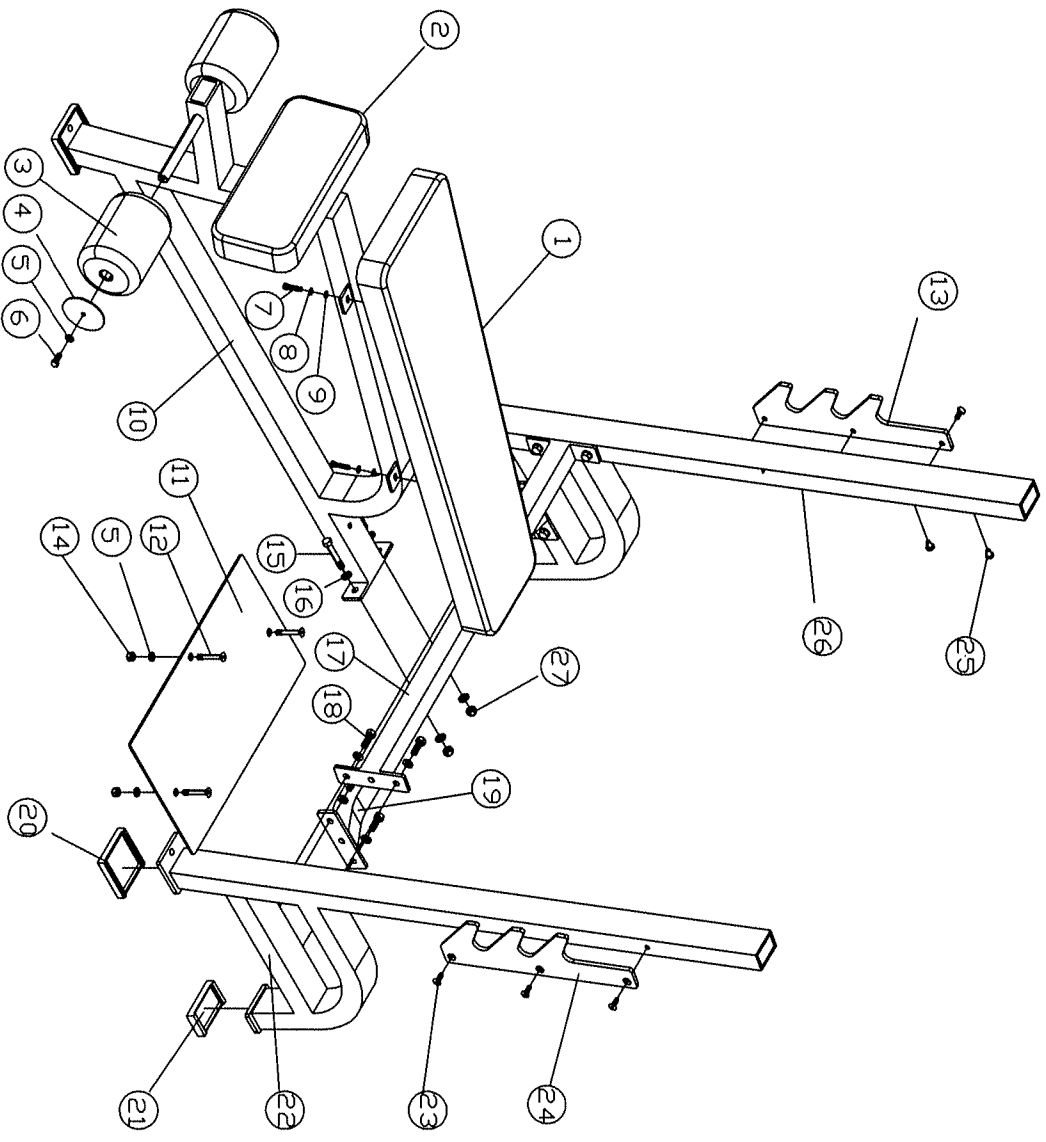




STRENGTH TRAINING SERIES OLYMPIC DICHINE BENCH W/GUN RACKS
No. 54039 WHITE 55039 SILVER

CHECK	ITEM	QTY	DESCRIPTION
	1	1	Back Pad
	2	1	Leg Pad
	3	2	Rolling Pad
	4	2	Large Washer
	5	5	3/8"Flatwasher
	6	2	3/8"x1"Bolt
	7	6	5/16"x1-1/2"Bolt
	8	6	5/16"Lock washer
	9	6	5/16"Flat washer
	10	1	Main Frame
	11	1	Spotting Plate
	12	3	3/8"x2-3/4"Allen Flat Head Bolt
	13	1	Right Barbell Rack
	14	3	3/8"Nylon Lock Nut
	15	2	1/2"x3"Bolt
	16	12	1/2"Flatwasher
	17	1	Cross Brace
	18.	8	1/2"x1"Bolt
	19	1	Base Connector
	20	3	4-7/16"x4-7/16"Foot Pad
	21	2	4-7/16"x2-1/4"Foot Pad
	22	1	Left Upright Frame
	23	6	3/8"x1"Allen Flat Head Bolt
	24	1	Left Barbell Rack
	25	4	Rubber Plug
	26	1	Right Upright Frame
	27	2	1/2"Nylon Locknut
	28	1	York Nameplate
	29	1	Warning Label
	30	1	Warranty Card
	31	1	Serial # Sticker
	32	1	Hardware Card
	33	1	Assembly Instruction

REV. 08/08/2007



**IF PARTS ARE MISSING, DO NOT CALL THE STORE WHERE YOU PURCHASED THIS ITEM - THEY DO NOT STOCK PARTS
 PLEASE CONTACT YORK BARBELL CUSTOMER SERVICE AT (800)358-9675 OR (717)767-6481