



VERSACLIMBER

MOVEABLE, PORTABLE AND STACKABLE

ACHIEVE MAXIMUM RESULTS WITH MINIMAL SPACE

With floor space at a premium, club operators are always seeking ways to maximize their cardio and HIIT rooms while offering members more options. Our NEW battery-powered and stackable VersaClimbers offer you incredible flexibility that you can't get from other cardio equipment.

Providing another industry first, our unique stackable rolling base design allows gyms and boutique fitness studios (yoga, spin, Pilates, Lagree, etc.) to fill a room with VersaClimbers, then effortlessly roll and store them in the back of the room with a very small footprint (16 units only requires 4 feet by 21 feet when stored).

NEW PORTABLE POWER

Stackable VersaClimbers are offered with a rechargeable battery to avoid having to run power cables across the floor or having electricians add outlets to your space. Our new battery option provides a clean, streamlined, portable approach, providing many use case options (weight room, near tennis or basketball courts, outdoors and more).



RECHARGEABLE BATTERY

Battery eliminates the need for power cords and clutter. Powered by a Lithium Iron Phosphate battery.

LASER CUT YOUR LOGO HERE

UNIQUE STACKABLE BASE DESIGN

- NESTS TOGETHER
- BATTERY POWER
- FLOOR VERSATILITY

- EFFORTLESS MOBILITY
- QUICK TRANSITION
- ULTIMATE SPACE EFFICIENCY



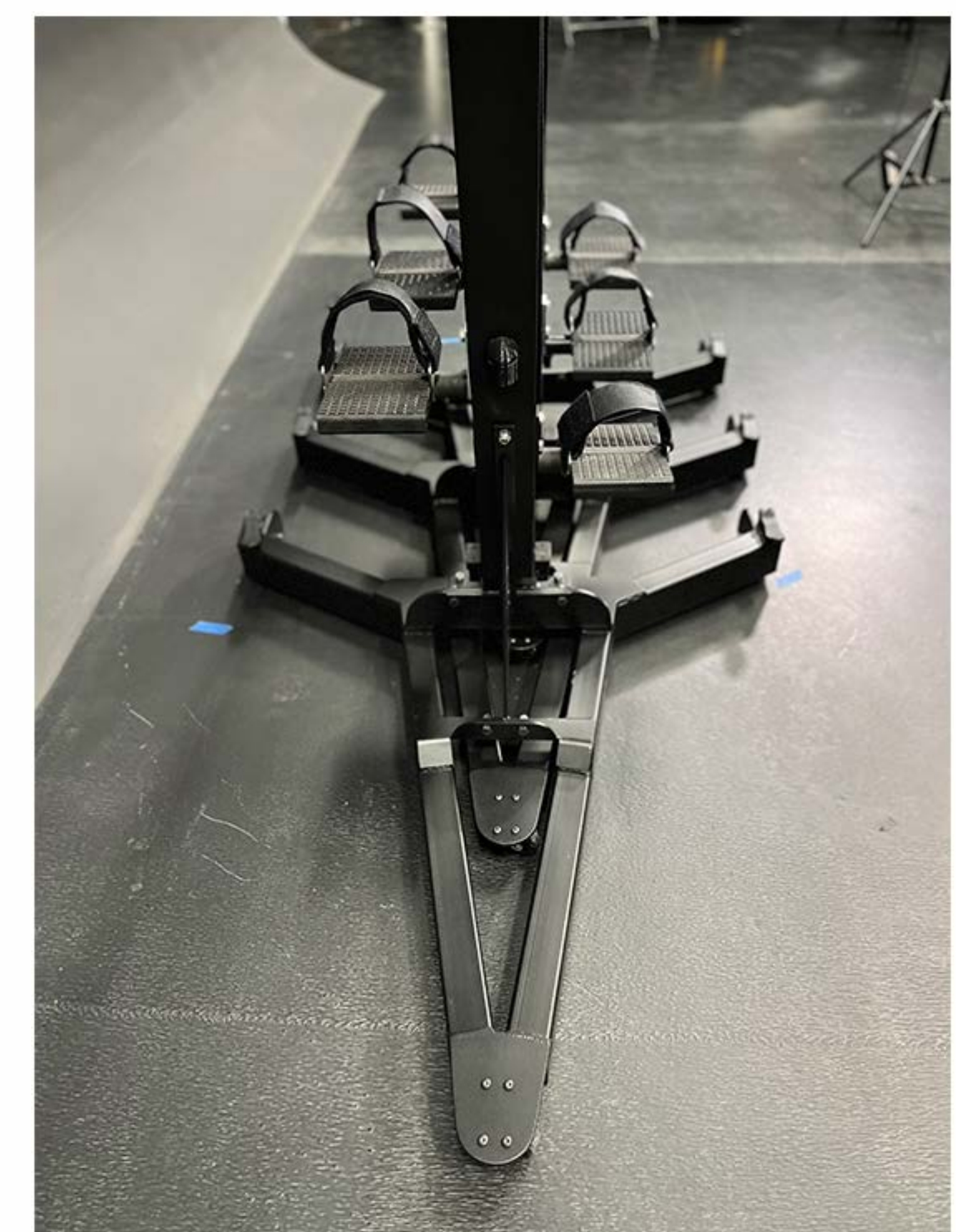
CLICK HERE TO SEE A SHORT VIDEO OF HOW EASY IT IS TO MOVE AND TRANSFORM ANY ROOM INTO A CLIMBING STUDIO (think spin class but full body workouts on VersaClimbers).

3 LOCKING WHEELS

Quality large wheels roll lightly over floors and transitions. Oversized cam levers can be flipped with the foot without having to bend down.



TIGHTLY PACK TOGETHER



NESTING BASES



MAXIMIZE FLOOR SPACE



1.800.237.2271 INFO@VERSACLIMBER.COM



STACKABLE.

PORTABLE.

SPACE SAVER.



“ ”

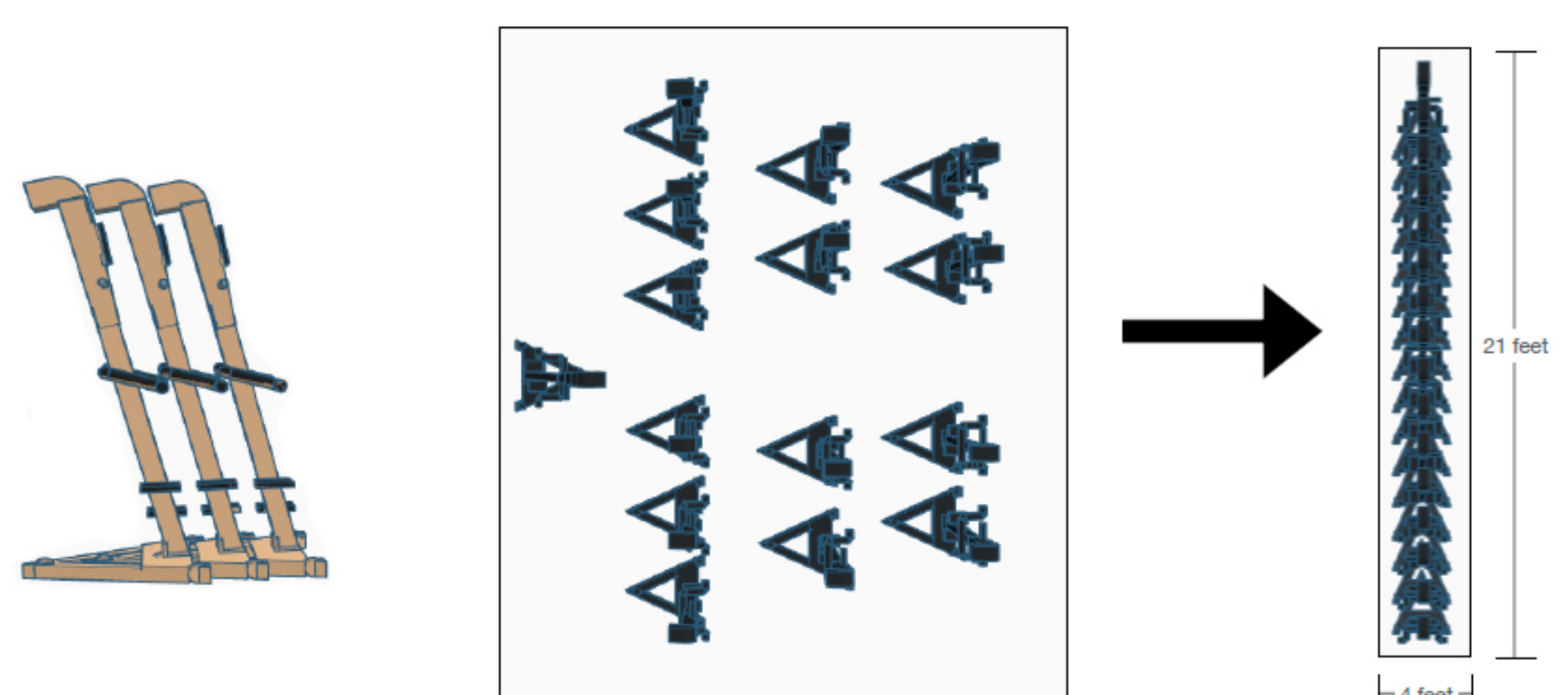
“ The ability to quickly and easily roll VersaClimbers on and off our HIIT workout floor space is a game changer for us.”

“ I didn't think I had the space to add VersaClimbers to my studio, but I can now with this option.”

“ In the realm of fitness, the importance of space efficient equipment lies in its ability to liberate your workout space. VersaClimber stackable has done it.”

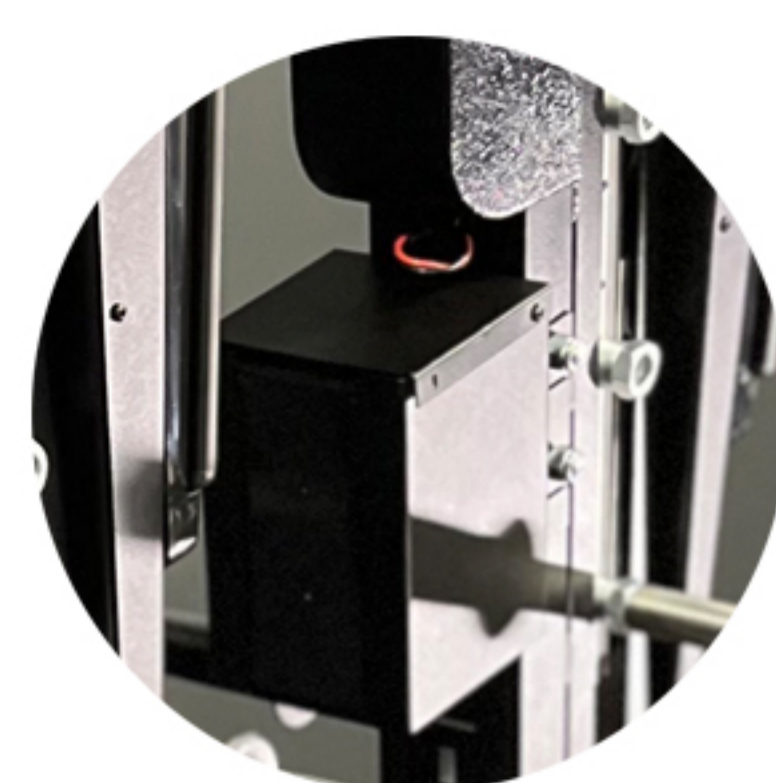
16 UNITS
CLASS SETUP.

STORED.

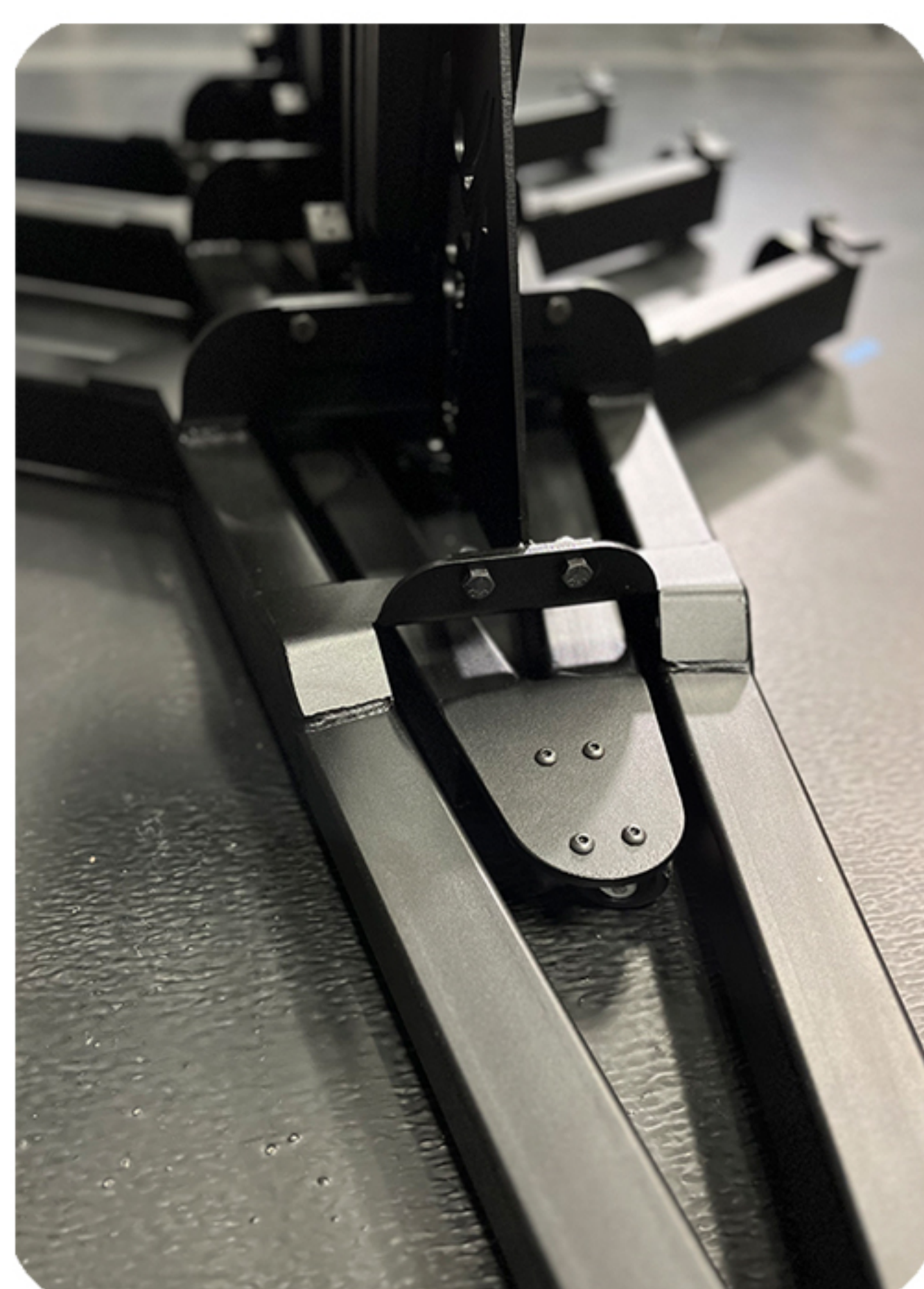


A set up of 16 Versaclimbers can be easily stored in a space 4-feet wide by 21-feet long.

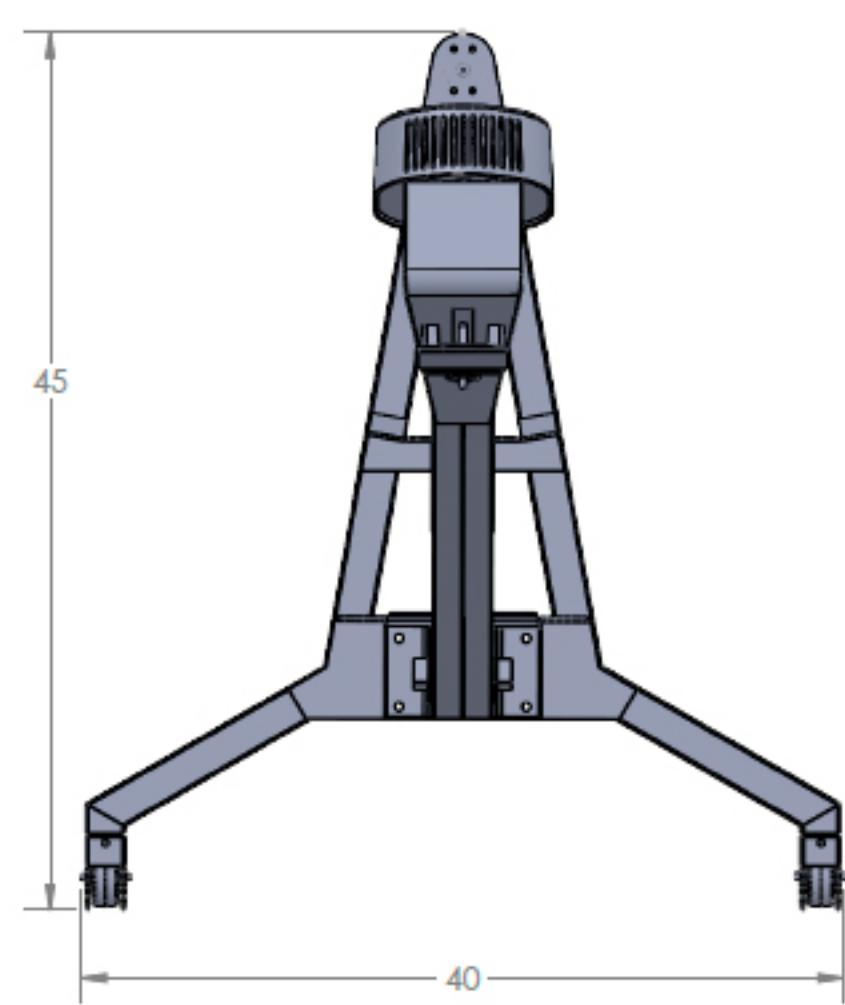
TURN ANY ROOM IN A HEALTH CLUB INTO A CLIMBING STUDIO



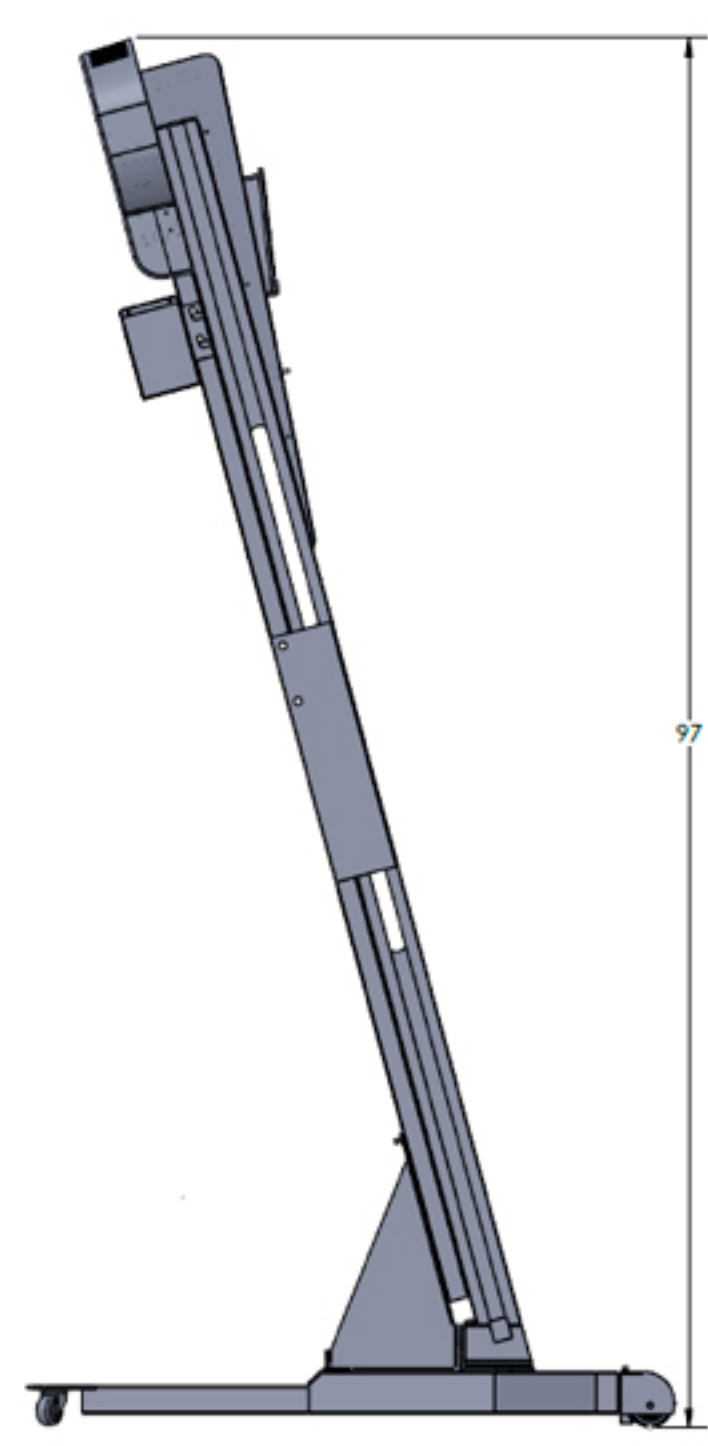
Battery life has been tested to exceed even the busiest of days.



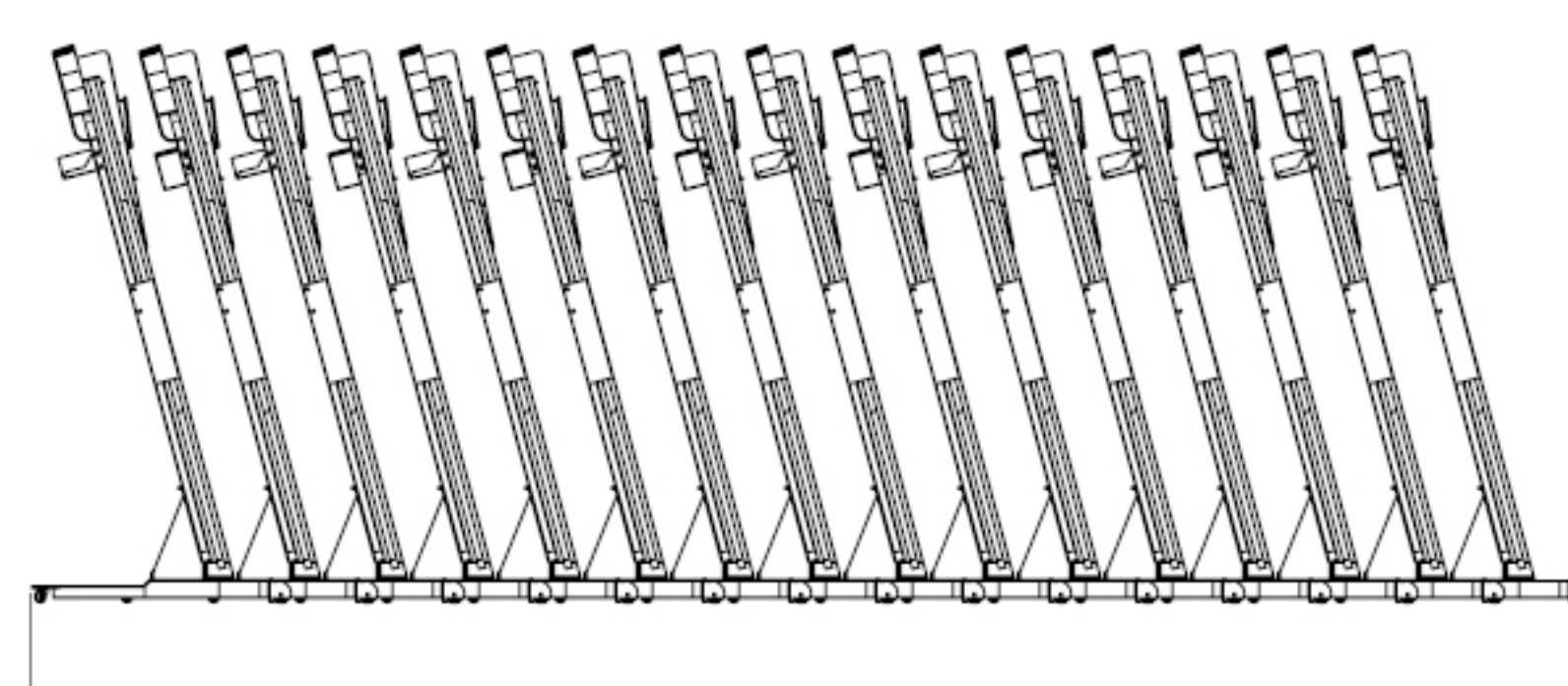
45" Deep
(114 cm)



40" Wide
(101 cm)



97" Tall
(246 cm)



16 Units fit in 21' x 4' section
(7.762M x 1.22M)

PRICING

SM-M STACKABLE.....\$5,895
TS-M STACKABLE.....\$6,195
BATTERY OPTION ADD.....\$350

RETROFIT ANY EXISTING BASE
INTO STACKABLE BASE...\$650



1.800.237.2271 / INFO@VERSACLIMBER.COM

