

+ nesgroup



Minor Procedure Light  
With Advanced  
LED Technology

Luvis S200

+ nesgroup

NES Group Medical PTY LTD  
All correspondence: PO Box 530, Camden  
NSW 2570

t. 1300 651958  
e. enquiries@nesgroup.com.au

[www.nesgroup.com.au](http://www.nesgroup.com.au)

# Luvis S200

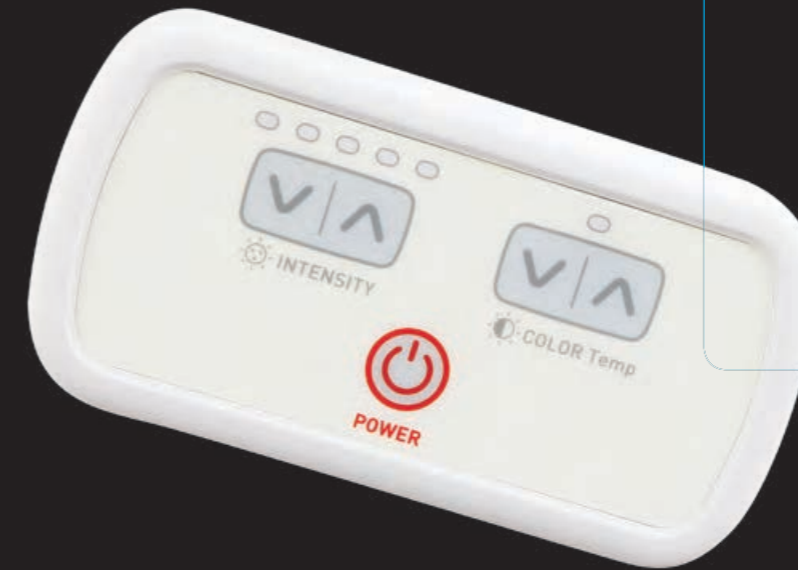
Minor Procedure Light  
With Advanced  
LED Technology

Introducing the newest, most advanced minor procedure light on the market, exclusive to NES Group Medical. The Luvis S200 allows its users to focus the light field, adjust the light intensity and light colour temperature via its digital, easy to use control panel; making the Luvis S200 the ultimate minor procedure light.

With the Luvis S200 already released in the U.S, Europe and Asia, this exceptional minor procedure light is now ISO certified and TGA registered to suit the Australian and NZ markets.



## Easy to Use Control Panel



The Luvis' easy to use control panel allows the user to adjust the light intensity and colour temperature as well as turn the light on and off, all with a simple touch of a button. The Luvis S has a prompt on and off reaction time reducing idle waiting time.

**The Easy to use control panel located on the light head allows the user to:**

- Turn the Luvis S On & Off
- Adjust 5 steps of Light Intensity
- Adjust 3 steps of Colour Temperature

## Smart Focus

The Luvis S200 allows the user to change the focal size by simply rotating the detachable and sterilisable hand grip. This optimally directed light provides the user with a large 30cm or 18cm diameter field of light with an excellent depth of illumination.





## Advanced Colour Rendition Technology Adjustable Colour Temperature and Light Intensity

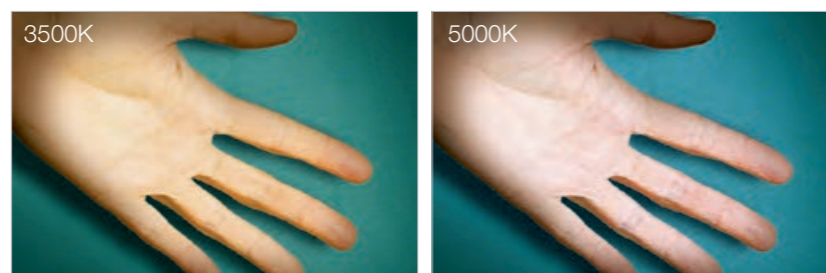
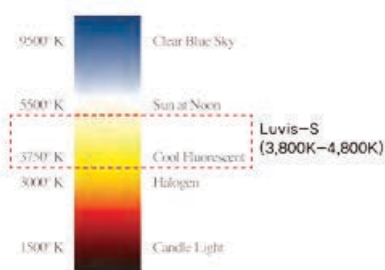
The Luvis S200 delivers high quality, colour rendering technology (Ra90), allowing the user to adjust the colour temperature to choose the perfect colour based on the wound field texture and tissue type.

The Luvis S200 generates white light color by mixing the 3 RGB colours. The high CRI figures produce a spectrum of light resembling that of natural daylight. This creates a comfortable working environment for the user and reduces eye fatigue. The white light that is generated does not carry any UV Rays.

With five levels of controllable light intensity and 3 levels of adjustable colour temperature the Luvis S200 proves to be the leading minor procedure light on the market. The colour temperature can be adjusted to 3800K/4300K/4800K

The Luvis S200 offers a varied range of light intensity/brightness levels, which allows the user to find the most efficient output.

## Color Temperature



## Technologically Advanced Hybrid Lighting System

A combination of the optical lens and reflector offer a stable, well-lit focal area with lower power consumption. The optimized non-reflector system helps reduce heat radiation and limits the temperature to 0.5°C.

The Luvis S200 adopts its own fan less cooling system reducing unnecessary noise whilst the light is being operated.

## Ergonomic Design

The weight balanced, adjustable spring arm ensures that the light remains stable and secure during operation.

The Luvis' four direction, free turning and swiveling multi axis arms, together with its rotating maneuverable light head and ergonomic handgrips, create a procedure light that is lightweight and effortlessly controlled.



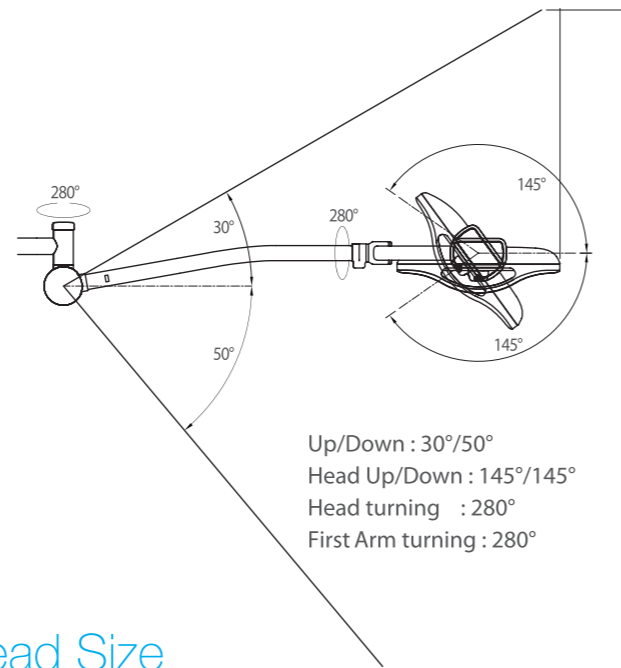
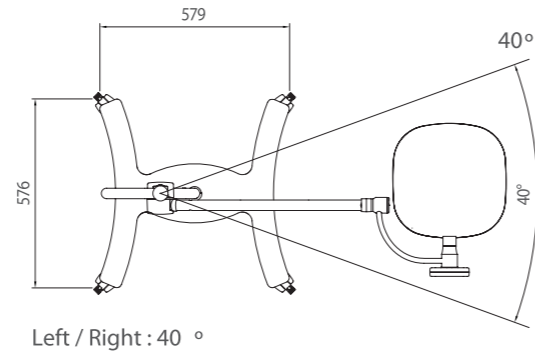
## Long Life

With the use of advanced LED technology, the Luvis S200 delivers a high light output with minimum power requirements. With approximately 50,000 hours of operating time, the Luvis S200 significantly reduces running costs and down time; as opposed to other conventional light sources such as halogen.



## Mechanical Features

Free swiveling and Turning



## Head Size

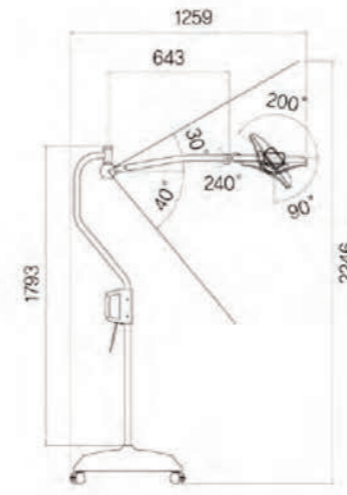


## Specifications

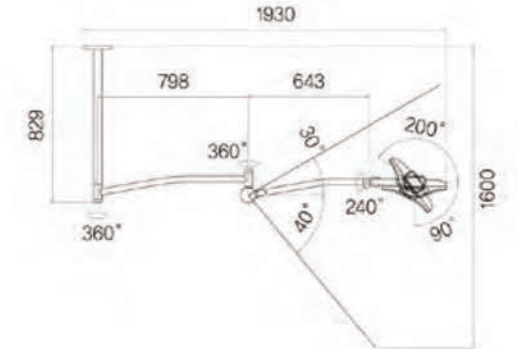
Option 1	Mobile Type Dual Type Wall Type Ceiling Type
Option 2	Ivory, Blue
Light intensity	Max 100,000Lux (Button type / 5-step)
CRI (Ra)	90
Color temperature	3800K/4300K/4800K (Button type / 3-step)
Pattern size	Diameter 18 ~ 30cm (circle)
Focal distance	1m
Head size	35 x 34cm
Power consumption	25W
Power input	100~250Vac, 50 / 60Hz
LEDs	18
LED life span	50,000hr (17yr : 8hr/day)

## Mounting Options

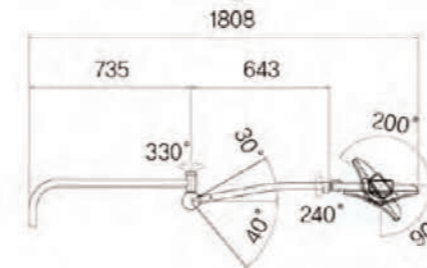
Mobile Type



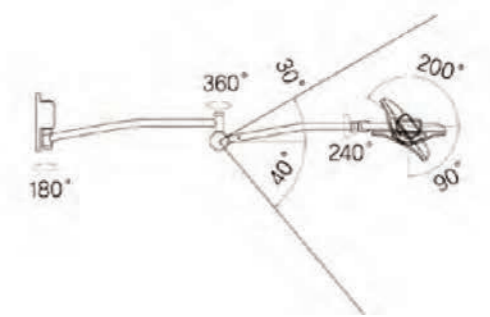
Ceiling Type



Dual Type



Wall Type



Chair Type

