

Are you ready for the real Dry Aging? Perfect - get started with DRYAGER™!

Scan code or go to my.dry-ager.com to get access to: Digital version of this manual, Instruction videos for installation and usage, Recipe database and new Dry Aging ideas, Contact form to DRYAGER™ Butcher-Team and more.

Table of Contents	Page
Please Read and Follow these Instructions	2
California Proposition 65	2
Disposal of old Appliance	3
Disposal of this Appliance	3
Disposal of Carton	3
R600a Refrigerant	3
Blocking for Safety	3
Important Safety Information	3
Electrical Safety	4
Safety Regulations	4
Dimensions	5
Description of the Appliance	5
Integrated Systems	5
Setting Up the Appliance	6
Integration Installation	6
Preparing the Appliance	7
Clean the appliance and accessories	7
Insert hanger	7
Operating the Appliance	8
Overview of Control Panel	8
Controller Keys	8
Controller Key Combinations	8
Controller Display and Symbols	8
Starting the Operation	9
Electrical connection	9
Switching the appliance ON	9
Turning the interior light ON/OFF and adjusting brightness (optional)	9
Turning the UVC disinfection ON	9
Choosing temperature & humidity setpoint	9
Setting temperature	9
Setting humidity	9
Locking and unlocking keypad (optional)	9
Locking and unlocking door (optional)	9
Loading the Device with Food	10
Select food	10
Wait for climate conditions to be reached	10
Fill the device	10
Consider aging time	11
During Device Operation	11
Shutting Appliance down	11
Cleaning Instructions	12
Frequency of the cleaning procedure	12
Preparation for the cleaning procedure	12
Cleaning the hanger and other accessories	12
Cleaning the appliance interior	12
Cleaning the outside of the appliance	12
Troubleshooting	12
Error Messages	13
Maintenance	13
Customer Service	13
Appliance Information	13
Warranty	14
Changing over Door Hinges	15

Please Read and Follow these Instructions

These instructions contain Danger, Warning and Caution notes.

This information is important for safe and efficient installation and operation.

Always read and comply with all Danger, Warning, Caution and Important notes!

DANGER!

Danger indicates a hazard which will cause serious injury or death if precautions are not followed.

WARNING!

Warning indicates a potentially hazardous situation which, if not avoided, could result in death or serious injury.

CAUTION!

Caution indicates a potentially hazardous situation which, if not avoided, may result in minor or moderate injury.

IMPORTANT

This indicates information that is especially relevant to a problem-free installation and operation.

California Proposition 65

- This product contains chemicals known to the state of California to cause cancer or reproductive harm.
- This product can expose you to chemicals including Diisononyl Phthalate (DINP) which is known to the State of California to cause cancer.
For more information go to www.P65Warnings.ca.gov.
- This product can expose you to chemicals including Diisodecyl Phthalate (DIDP) which is known to the State of California to cause birth defects or other reproductive harm.
For more information go to www.P65Warnings.ca.gov.

IMPORTANT

All types and models are subject to continuous improvement. The manufacturer reserves the right to make modifications to the shape, equipment and technology.

Disposal of old Appliance



Risk of Child entrapment

DANGER: Risk of child entrapment. Before you throw away your old appliance:

- Take off the doors.
- Leave the shelves in place so that children may not easily climb inside.

Disposal of this Appliance

This appliance contains flammable gases within the refrigeration circuit and insulation foam.

Contact the municipality or disposal company in your area for information on approved recycling or disposal.

Disposal of Carton

The packaging is designed to protect the appliance and individual components during transport and is made of recyclable materials.



Keep packaging materials away from children. Polythene sheets and bags can cause suffocation!

If possible, please recycle packaging material at a recycling facility.

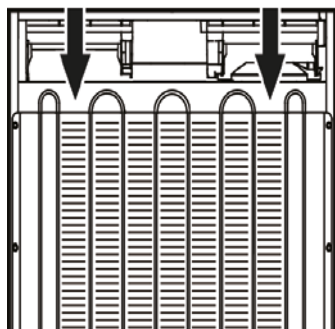
R600a Refrigerant



The refrigerant R600a contained within the appliance is environmentally friendly, but flammable. Leaking refrigerant can ignite.

To prevent possible ignition, follow the warnings below:

- Keep ventilation openings, in the appliance enclosure or in the built-in structure, clear of obstruction.
- To ensure proper ventilation, do not cover the ventilation openings. The ventilation openings are located in the upper region at the back of the appliance indicated with arrows in the drawing on the right.



- Do not use mechanical devices or other means to accelerate the defrosting process, other than those recommended by the manufacturer.
- Do not damage the refrigerant circuit.
- Component parts and power cords shall be replaced with like components performed by factory authorized service personnel only.
- Do not use electrical appliances inside the food storage compartments of the appliance, unless they are of the type recommended by the manufacturer.

Blocking for Safety



To avoid a hazard due to instability of the appliance, it must be fixed in accordance with the instructions.

Important Safety Information

- If the appliance is damaged on delivery, contact the supplier immediately before connecting it to the power source.
- To guarantee safe operation, ensure that the appliance is set up and connected as described in this manual.
- Disconnect the appliance from the power source if a fault occurs. Pull out the plug, turn off or disable the power source.
- When disconnecting the appliance, always pull it out by the plug; never pull on the cable.
- Any repairs and work on the appliance should only be performed by the customer service department. Unauthorized work may be dangerous to the user. The power source cable should only be changed or replaced by the customer service department.
- Do not store explosive substances such as aerosol cans with flammable propellant in this appliance. Electrical components might cause leaking gas to ignite. You can identify such sprays by the printed contents or a flame symbol.
- To prevent possible injury due to an electrical shock, be sure to disconnect the power cord or turn off the circuit breaker / unscrew the fuse before cleaning the appliance.
- To avoid injury or damage to the appliance, do not use steam cleaning equipment to clean the appliance.
- Do not operate the appliance in the presence of explosive fumes.
- In the event of a power outage, open the door as infrequently as possible.
- To protect the appliance from possible damage, allow it to stand 1/2 to 1 hour in place before turning on the electricity. This allows the refrigerant and system lubrication to reach equilibrium.

Electrical Safety

Connect this appliance to a 15 amp, 110-120 VAC, circuit which is grounded and protected by a circuit breaker or fuse.

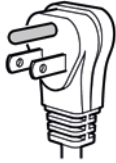
We recommend using a dedicated circuit for this appliance to prevent circuit overload and the chance of interruption to the appliance.

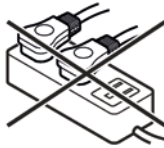
This appliance is equipped with a three-prong (grounding) polarized plug for your protection against possible shock hazards.

Where a two-prong wall receptacle is encountered, contact a qualified electrician and have it replaced with a properly grounded three-prong receptacle in accordance with all local codes and ordinances.

WARNING!

**Electrocution hazard.
Electrical grounding required.**

- Do not remove the round grounding prong from the plug. 
- Do not use extension cords or ungrounded (two-prong) adapters.
- Do not use a power cord that is frayed or damaged.

- Do not use a power strip. 

Failure to follow these instructions may result in fire, electrical shock or death.

Safety Regulations

This equipment is intended for dry aging of unpacked meat, fish, ham, salami, cheese, fruit and vegetables.

IMPORTANT

The appliance is not intended for outdoor use.

Climate rating

The climate rating indicates at what ambient temperature the appliance may be operated to achieve full cooling capacity.

Climate Rating	Max. Ambient Temperature	Max. relative humidity
7	95 °F (35 °C)	70 %

The minimum ambient temperature at the place of installation is 50°F (10°C).

IMPORTANT

Do not operate the appliance outside the specified ambient temperature range.

- The refrigerant circuit has been tested for leaks.
- The appliance complies with current safety regulations.

UL 60335-1: 2016

UL 60335-2-89: 2017

CAN/CSA-C22.2 No. 60335-1:16

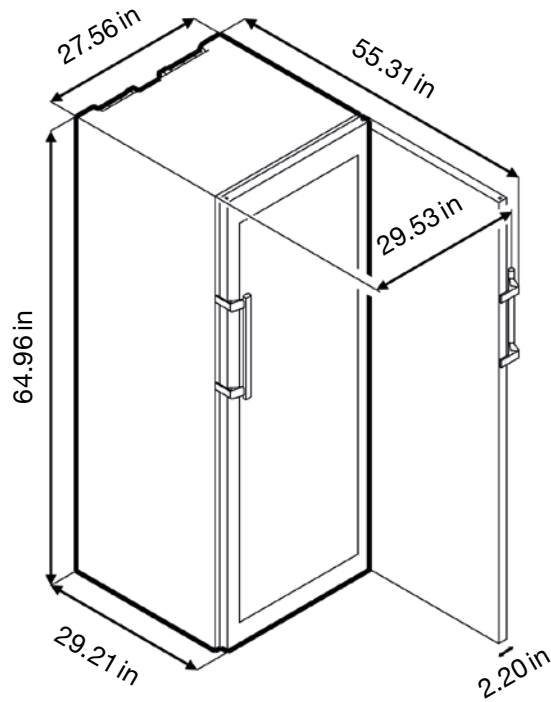
CAN/CSA-C22.2 No. 60335-2-89:17

We recommend cleaning the appliance before turning it on for the first time (see section **Cleaning Instructions**, page 12).

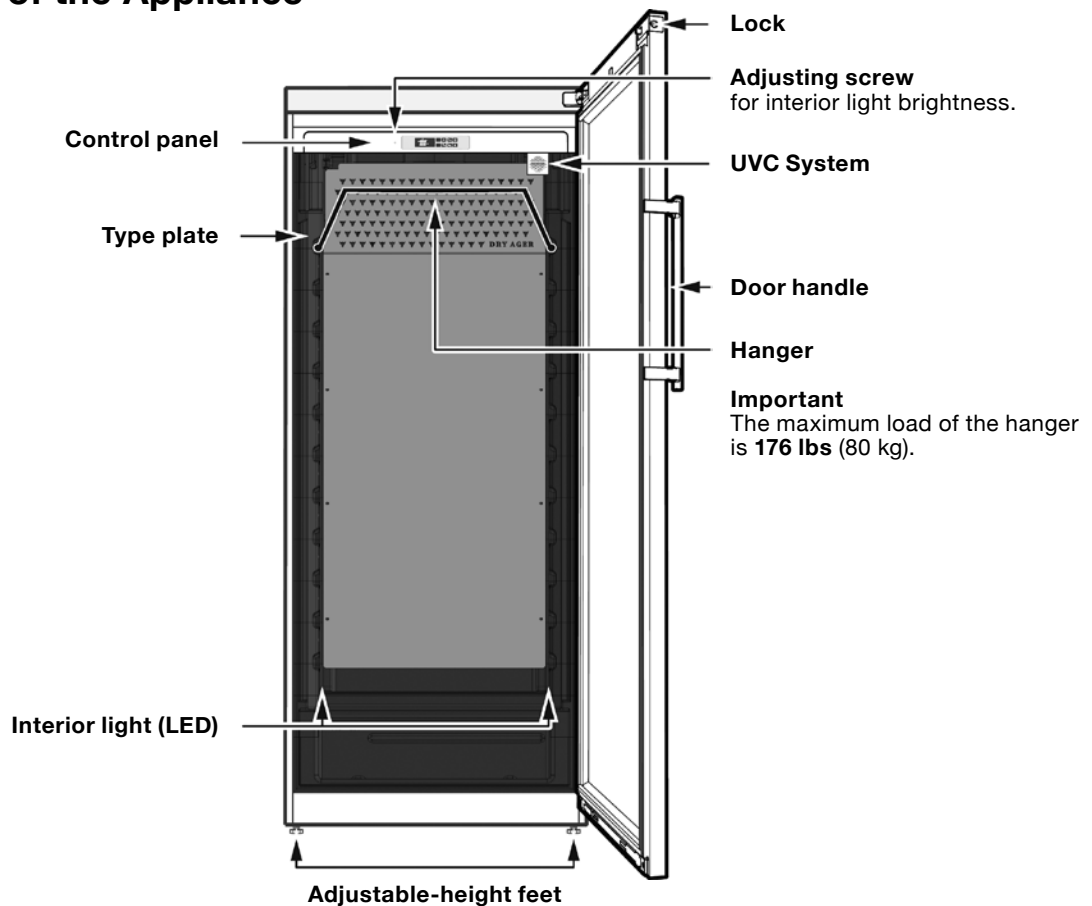
WARNING!

Do not allow children to play with the appliance. Children must not climb, sit or stand on the shelves or door. Failure to follow these instructions may result in death or serious injury.

Dimensions



Description of the Appliance



Integrated Systems

Humicontrol™

Electronic humidity control from 60 % to 90 % (for this system there is no water connection or water container necessary).

UX Airreg™

Perfect airflow and UVC sterilization system.

Led Lighting UX

The light spectrum does not contain any ultraviolet radiation, the result is a minimum of heat generated and and no effect on the core food temperature.

Defrost automatic, automatic condensation evaporation, optic and acoustic alert, lockable door, reversible door, magnetic door seal.

Setting Up the Appliance

CAUTION!

To avoid risk of personal injury or property damage, have two people to move this appliance into place.

WARNING!

The device must not be installed in a transportable manner.

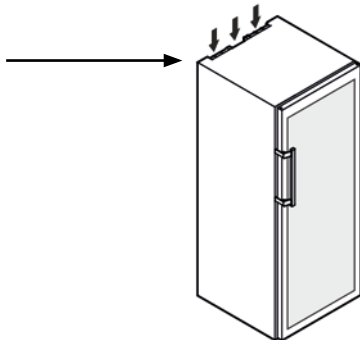
- Examine the unit and packaging for shipping damage. Contact the carrier immediately if you suspect there is any damage.

- Note relevant information from the type plate in the space provided in section **Appliance Information** (page 13).

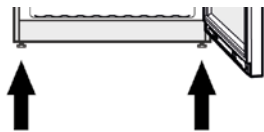


- Avoid placing the appliance in direct sunlight or near the stove, range top, radiators and similar heat sources.

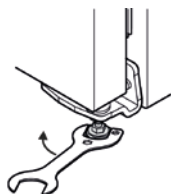
- Do not cover ventilation openings or grill.



- The floor on which the appliance stands should be horizontal and level. Compensate for uneven floors with the adjustable feet.



- Place the appliance in its final position at the place of installation. Extend the adjustable foot at the bottom hinge bracket until it rests on the floor and then make a further 90° turn.



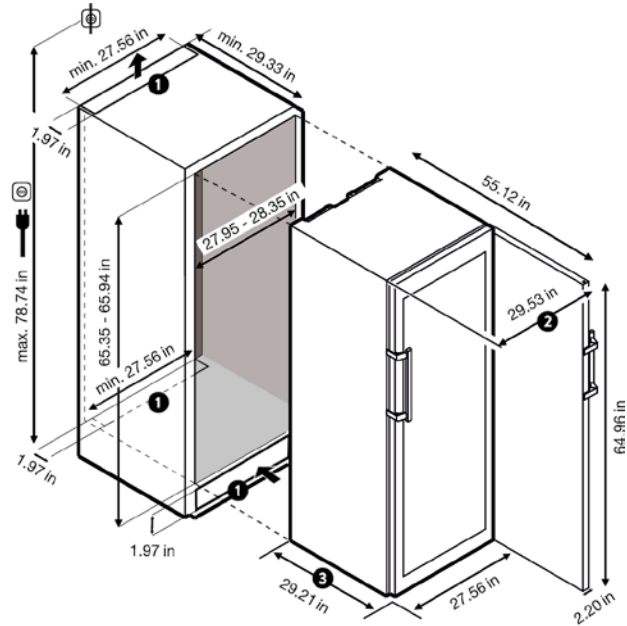
- The appliance can be used free-standing or built-in as a single unit or side by side (see section **Integration Installation**, page 6).

- Optional: To change the door hinges see section **Changing over Door Hinges** (page 15).

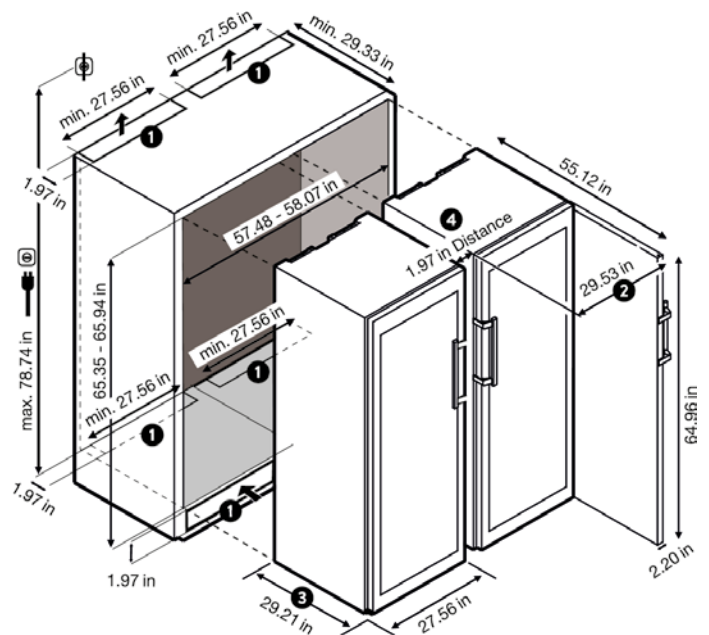
Integration Installation

- It is absolutely essential to have good air circulation around the unit. The width of the ventilation shafts needs to be at least the width of the appliance (see ❶). The minimum required depth of the shafts is 1.97 in. Also ensure that the back of the appliance is positioned at a distance of at least 1.97 in from the wall.
- Overall dimension with opened door (see ❷): **29.53 in.**
- Overall dimension body + door (protruding) (see ❸): **29.21 in.**
- Covering of distance (see ❹) possible by DRYAGER™ moulding, available as an accessory at: shop.dry-ager.com.

Single unit integration



Side by side integration

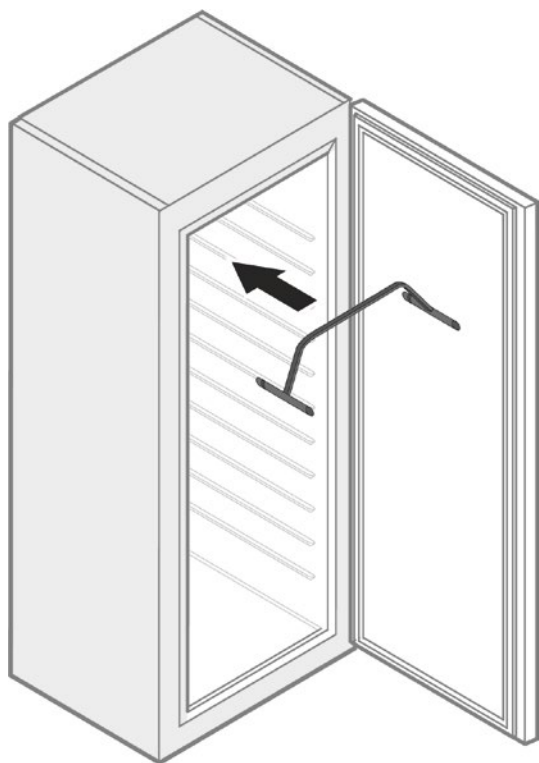


Preparing the appliance

1. Clean the appliance and accessories.

See section **Cleaning Instructions**, page 12.

2. Insert hanger



Get shelves, tray, and more accessories here:
shop.dry-ager.com

Operating the Appliance

Overview of Control Panel



Controller Keys



Increases the displayed value.
To turn On / Off the UVC disinfection, press the button for a minimum of 5 sec.



Decreases the displayed value



View / change the temperature setting.



View / change the humidity setting.
Select or confirm a parameter during programming.



On / Off Button for interior lighting



Power On / Off switch

Controller Key Combinations



Lock and unlock keypad

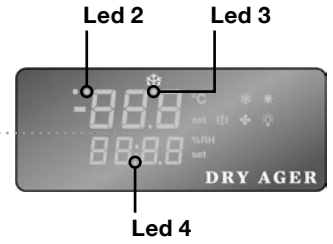


Enter controller configuration menu

Controller Display and Symbols

Temperature display

Humidity display



Led/Symbol	Mode	Function
Led 4	On	Standby, decimal point
°C	On	°C temperature unit
	On	Cooling
	Flashing	Delay cooling
Led 3	On	Defrost active
	On	Heating active
set	Flashing	Temperature setpoint (temperature display) / relative humidity setpoint (humidity display)
((!))	On	Acoustic alarm
	On	Fans running
%RH	ON	Relative humidity % unit
Led 2	ON	UVC disinfection active

Starting the Operation

1. Electrical connection

Carefully read section **Electrical Safety** (page 4), before connecting the appliance to the mains socket.


2. Switching the appliance ON



Press  once until the display switches on.

3. Turning the interior light ON/OFF and adjusting brightness (optional)



Press  once to turn the interior light on. Repeat to turn the light off.

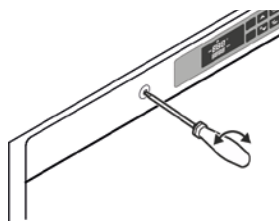
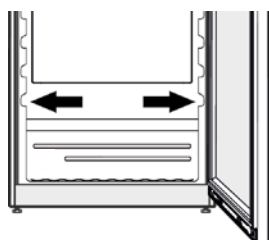
Interior Light

The interior of the appliance is lit by an LED light strip at both sides of the interior container.

The LED lighting corresponds to the risk group RG2.

To increase (decrease) the brightness of the LED, turn the adjusting screw with a screwdriver clockwise (anti-clockwise).

Limit torque applied with the screwdriver to not exceed the turning limit in either direction (max. total turning angle ~300°).



IMPORTANT


The light cover may only be removed by customer service staff.

CAUTION!

Risk of eye damage. If the cover is removed, do not look directly at the light through optical lenses from a close distance.

4. Turning the UVC disinfection ON



Press  for about 5 seconds until Led 2 lights up in the display.

IMPORTANT

The UVC disinfection needs to be switched on while dry aging food inside the appliance.

5. Choosing temperature & humidity setpoint

The recommended temperature and humidity settings for dry aging depend on the food.

For **dry aging beef** and **pork** we recommend **1.5°C (34.7°F)** and **82%** relative humidity.

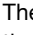
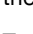


Scan code or go to my.dry-ager.com to find out more about temperature and humidity settings for other food.

To set the desired temperature and humidity, proceed with **6.** and **7.**

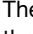
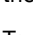
6. Setting temperature



1. Press **set temp.** key: The temperature set value is displayed and flashing.
2. The  and  arrow keys can be used to change the set value.
3. To confirm the set value, press **set temp.** key. The temperature display now indicates the actual temperature value.

7. Setting humidity



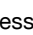
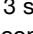
1. Press **set %RH** key: The relative humidity set value is displayed and flashing.
2. The  and  arrow keys can be used to change the set value.
3. To confirm the set value, press **set %RH** key. The humidity display now indicates the actual humidity value.

8. Locking and unlocking keypad (optional)

The keypad of the controller can be locked/unlocked as follows:


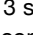


Lock

Press  and  and hold together for a minimum of 3 seconds. 'Pof' appears in the display for a few seconds.



Unlock

Press  and  hold the two keys for a minimum of 3 seconds. 'Pon' appears in the display for a few seconds.

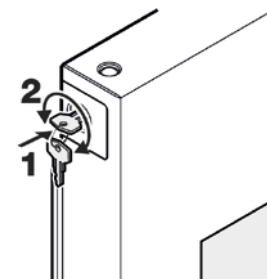
9. Locking and unlocking door (optional)

The lock in the appliance door is equipped with a safety mechanism.

Locking the appliance

- Insert the key as shown by arrow 1
- Turn the key by 180°

To unlock the appliance, the same procedure must be repeated.



WARNING!

Risk of child entrapment and suffocation due to a locked appliance door. Keep the key in a safe place out of reach of children and not in the vicinity of the appliance.

Loading the Device with Food

Option 1: position food hanging

1. Select food

IMPORTANT

Only use food with a maintained cold chain that was handled under good hygienic conditions.

Some hints for dry aging meat:

- Use fresh meat on the bone at maximum 5 days after slaughtering or max. 2 weeks vacuum matured meat (remove foil for dry aging).
- Dry age saddles of meat or individual cuts (about 4-9 lbs) on the bone.
- To minimize the weight loss during dry aging, use meat with a thick enough protective layer of fat.
- Recommendation for dry aging beef: saddle from a heifer with good fat cover and marbling.



Go to my.dry-ager.com or scan code for more hints on food selection.

2. Wait for temperature setpoint to be reached

IMPORTANT

Before loading the appliance with food wait for the temperature setpoint to be reached.

- Note that for the humidity regulation to function properly, the appliance needs to be loaded with food.

3. Fill the device

IMPORTANT

When using frozen meat, defrost before putting inside the appliance.

Wear clean protection cloth (gloves, etc.) when handling food.

For optimal dry aging conditions, air circulation around the food is necessary: prevent mutual contact and contact with the inner container.

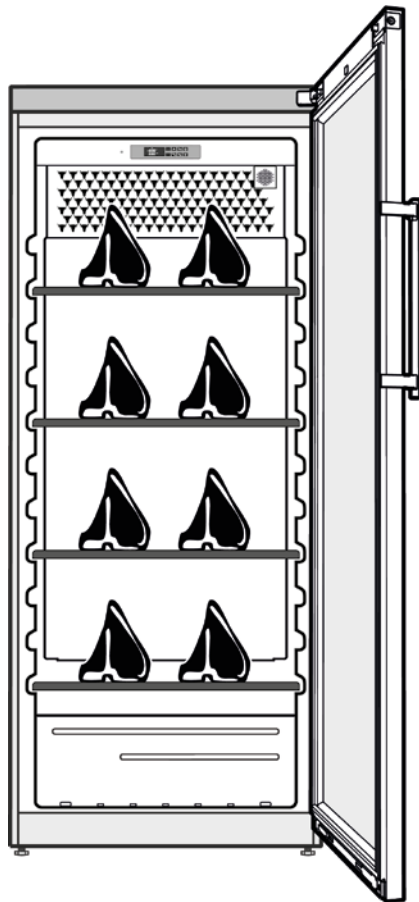


Get hooks and more accessories here: shop.dry-ager.com

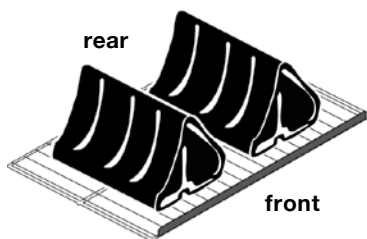
Option 2: position food lying down (optional)



Requires shelves, available at shop.dry-ager.com



Position the food as shown in the drawing: prevent mutual contact and contact with the inner container.



4. Consider aging time

The optimal aging time depends on many parameters. Typical aging times, which can be considered as a rough reference, are as follows:

Fresh meat of beef: ~ 21-28 days

Fresh meat of pork: ~ 14-21 days

Vacuum packed meat (remove foil before aging): up to ~ 14-18 days



To produce **charcuterie** (ham, sausages and much more) and to get more information on aging times, go to my.dry-ager.com or scan code.

During Device Operation

IMPORTANT

To sustain the desired climate condition inside the appliance, ensure that the mains power is not interrupted for a prolonged time.


*Clean the device regularly (see section **Cleaning Instructions, page 12**).*

*Check regularly dry aging food. If you observe mold, an unusual smell (e.g. pungent, putrid) or other potential contamination of the food, dispose it in accordance with your local rules and regulations. Then clean the appliance thoroughly according to section **Cleaning Instructions (page 12)**.*

Shutting Appliance down

After finishing dry aging of goods inside the appliance, prior to cleaning the appliance or for other reason, it can be switched off as follows:



Press  once until 'OFF' is displayed and Led 4 lights up. The appliance is now in a standby mode with the compressor turned off.

If the appliance is to be turned off for any length of time, switch it off and disconnect the plug or switch off the circuit breaker / unscrew the fuse. Clean the appliance and leave the door open in order to avoid unpleasant smells.

Cleaning Instructions

⚠ WARNING!

To prevent possible injury due to an electrical shock, be sure to disconnect the power cord or turn off the circuit breaker/unscrew the fuse before cleaning the appliance.

To avoid injury or damage, do not use steam cleaning equipment to clean the appliance.

IMPORTANT

Do not use abrasive sponges. Do not use abrasive cleaners containing acidic or chemical solvents. First, test the cleaner on a small area in a place not obviously visible before cleaning the full unit.

Do not wipe stainless steel surfaces with dirty wiping clothes, otherwise unsightly rust stains may occur there.

Make sure that no detergent or cleaning water penetrates into the electrical parts and into the ventilation panel (in the area of the bull's heads and on the UVC sterilisation). Do not use a sponge or cloth that is overly wet.

Do not damage or remove the type plate on the inside of the appliance. It is important for customer service and any warranty claim.

Frequency of the cleaning procedure

Regularly clean the interior and outside of the appliance, the hanger and other accessories by following the cleaning steps 1.-4. below.

1. Preparation for the cleaning procedure

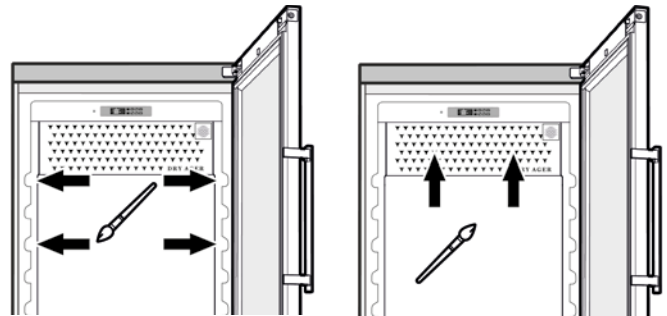
- Wear clean protection gloves.
- Remove all goods from inside the appliance and store them in a cool place temporarily.
- Switch the appliance off. Then disconnect the power cord or turn off the circuit breaker/unscrew the fuse.
- Remove all accessories (hanger, etc.) from the appliance.

2. Cleaning the hanger and other accessories

- Use a dishwasher for cleaning the hanger.
- Clean other accessories according to the cleaning instructions specified in the respective manuals.

3. Cleaning the appliance interior

- Use a moist (lukewarm water + suitable detergent) soft cloth or sponge and the brush provided to clean the inside of the appliance.
- Use the brush to clean the corners and grooves in the grid shelves area on the sidewalls and the area of the bull's heads.



- Thoroughly dry all parts with a soft cloth.
- Repeat the cleaning procedure if necessary.

4. Cleaning the outside of the appliance

- Clean the door surface and outer walls with a clean and soft cloth. If necessary, use a moist soft cloth (water+detergent).
- If necessary, a good-quality stainless steel and glass cleaner can be used to clean the corresponding surfaces.

Troubleshooting

Malfunctions

You may be able to rectify the following faults by checking the possible causes yourself.

• Appliance does not function

- Is the appliance switched on?
- Is the plug correctly fitted in the mains socket?
- Is the fuse intact/circuit breaker turned on?

• Loud running noise

- Is the appliance set up firmly on the floor?
- Does the appliance cause nearby items of furniture or objects to vibrate? Please note that noises caused by the refrigerant circuit cannot be avoided.

• The displayed temperature is not low enough

- Is the temperature setting correct (see section **Setting temperature**, page 9)?
- Mount a separate thermometer inside the appliance to check the temperature displayed by the appliance.
- Is the ventilation system working properly?
- Is the appliance set up too close to a heat source?

If none of the malfunctions apply and you cannot rectify the fault yourself contact the customer service department (see section **Customer Service**, page 13).

Error Messages

The error messages in the following table are indicated in the display. They are accompanied by an acoustic alarm, which can be acknowledged and switched off by pressing any key at the control keypad.

Message	Reasons	Effect on appliance
P1	Air temperature sensor error	Cooling and heating are turned off.
P2	Evaporator temperature sensor failure	Defrost in fixed time intervals. The display alternately indicates the error message and the temperature inside the appliance.
P3	Humidity sensor error	Humidity control is inactive.
HA	High temperature alarm	regulation unaffected
LA	Low temperature alarm	regulation unaffected
HHA	Moisture-HIGH alarm	regulation unaffected
LHA	Moisture-LOW alarm	regulation unaffected

Action

Contact the customer service department (see section **Customer Service**, page 13).

Message	Reasons	Effect on appliance
dA	Door alarm: Door open for a prolonged time	regulation unaffected

Action

The message disappears once the door is closed.

Message	Reasons	Effect on appliance
UCC	Lifetime of UVC-bulb reached	regulation unaffected

Action

see section **Maintenance UVC** (page 13).

Maintenance

UVC

UV lamp ratings
 Type: HNS 5W 2G7 DX
 Lamp power: 5W
 Lamp voltage: 24V
 Initial UVC irradiance > 0.16 W/m² @ 1m

The UVC bulb needs to be changed annually or once the appliance shows the warning message 'UCC' on the display.

Be sure to adhere to these maintenance guidelines. If there isn't sufficient strength of the UVC light, then this means the appliance is not functioning correctly.

Action

Do only order the DRYAGER™ original UVC-bulb (Art. DU0115) and replace the old UVC-bulb as specified in the manual that is supplied with the new bulb.



WARNING!

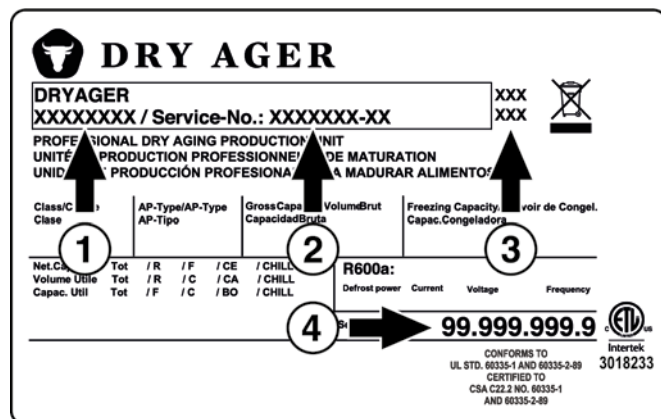
Don't look into the UV light! Protect skin and eyes from UV light! Before servicing and cleaning disconnect the UV device!



CAUTION!

- Keep protective barrier in place!
- Quartz glass very fragile! Do not touch quartz glass with bare hands. Stains burn into the glass!

Customer Service



When contacting the customer service department (contact information at the back of this manual), state the type designation ①, service number ②, service number suffix ③ and serial number ④ as indicated on the type plate. The position of the type plate is shown in section **Description of the Appliance** (page 5).

Appliance Information

Record this information when the appliance is installed.

- Type Designation ① : _____
- Service Number ② : _____
- Service Number Suffix ③ : _____
- Serial Number ④ : _____
- Date of Purchase: _____
- Where Purchased: _____

Warranty

FULL ONE YEAR WARRANTY

For one year from the date of original purchase, your DRYAGER™ warranty covers all parts and labor to repair or replace any part of the product which proves to be defective in materials or workmanship under normal and proper use and maintenance as specified by DRY AGER and upon proper installation and start-up in accordance with the Use and Care manual supplied with each DRYAGER™ unit.

FULL TWO YEAR SEALED SYSTEM WARRANTY

For two years from the date of original purchase, your DRYAGER™ warranty covers all parts and labor to repair or replace any components that prove to be defective in materials or workmanship in the sealed system under normal and proper use and maintenance service. The "Sealed System" defined as the compressor, condenser and/or condensing unit, evaporator, drier, metering device and all connecting tubing.

TERMS APPLICABLE TO EACH WARRANTY

This warranty will apply to products purchased and located in the United States and Canada. Products must be purchased in the country where service is requested. Any part covered under the above warranties that is determined by DRY AGER to have been defective within the time frame is limited to the repair or replacement, including labor charges, of defective parts or assemblies. The labor warranty will include standard straight time labor charges only and reasonable travel time, as determined by DRY AGER. **This warranty is void for any misuse of the intended application of these products.**

All service provided by DRY AGER under the warranty must be performed by authorized DRY AGER service representatives, unless otherwise specified by DRY AGER. The warranty does not cover any parts or labor to correct any defect or damage caused by negligence, accident, fire, flood, acts of God, improper use, improper maintenance, improper delivery, improper installation, power interruptions, power surges, incorrect electric current, voltage or supply, use of extension cords, improper grounding, removal and reinstallation of the product if it is not installed in accordance with published installation instructions or in an inaccessible location, service cost or service call to instruct the user on the proper use of the product or repairs to parts or systems resulting from unauthorized modifications made to the product repairs when the product is used in a manner that is contrary to published user or operator instructions and/or installation instructions.

DRY AGER is not responsible for economic loss, profit loss or direct, indirect or consequential damages, losses or other costs and expenses resulting from any spoilage of any items placed in a DRY AGER refrigeration system whether they be food, drink or otherwise. In no event will DRY AGER have any liability or responsibility whatsoever for damage to surrounding property, including but not limited to cabinetry, floors, ceilings and other structures or objects around the product. You are solely responsible for any structure and setting for the product including but not limited to all electrical, plumbing or other connecting facilities, for proper foundation/flooring and for any alterations including without limitation cabinetry, walls, flooring and shelving. Warranties are void if the original serial numbers have been removed, altered or cannot be readily determined. DRY AGER reserves the right to amend or alter this warranty and/or any warranty terms at DRY AGER 's discretion.

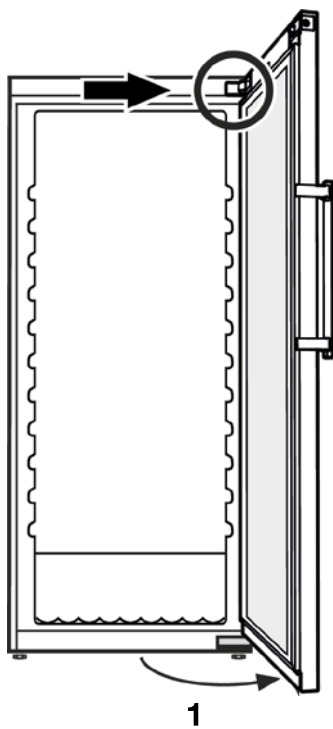
THE REMEDIES DESCRIBED ABOVE FOR EACH WARRANTY ARE THE ONLY ONES WHICH DRY AGER WILL PROVIDE, EITHER UNDER THESE WARRANTIES OR UNDER ANY WARRANTY ARISING BY OPERATION OF LAW. DRY AGER WILL NOT BE RESPONSIBLE FOR ANY CONSEQUENTIAL OR INCIDENTAL DAMAGES ARISING FROM THE BREACH OF THESE WARRANTIES OR ANY OTHER WARRANTIES, WHETHER EXPRESS, IMPLIED OR STATUTORY.

Some states/provinces do not allow the exclusion or limitation of incidental or consequential damages so the above limitation or exclusion may not apply to you. This warranty gives you specific legal rights and you may also have other legal rights which vary from state to state, or province to province.

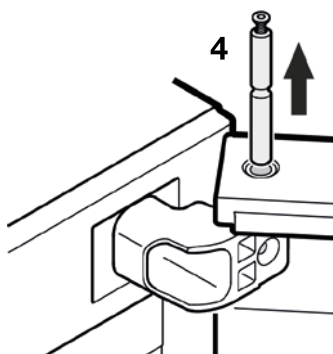
For all other warranty inquiries or to receive parts and/or service and the name of the DRY AGER authorized service representative, for the USA and Canada nearest you, contact the DRY AGER designated national service provider at service-usa@dry-ager.com (service-canada@dry-ager.com), call +1-844-7DR-YAGE (+1-844-737-9243) in USA and Canada, or contact your authorized DRYAGER™ dealer or distributor.

Changing over Door Hinges

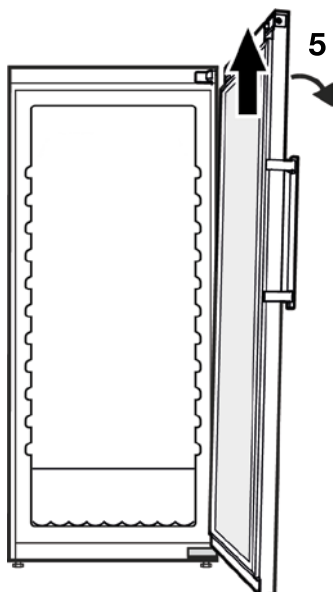
Door hinges should only be changed by a trained expert. Changing the door hinges must be done by two people.



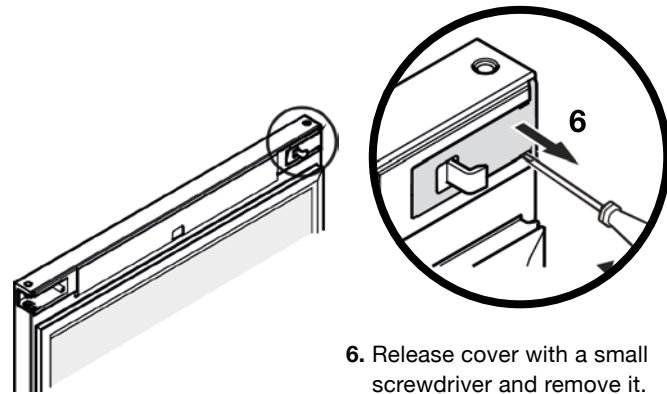
1. Open the door by approx. 130°.
2. Remove screw cover and store it temporarily.
3. Remove screw from hinge bracket and insert it by 3 to 4 turns into the hinge pin



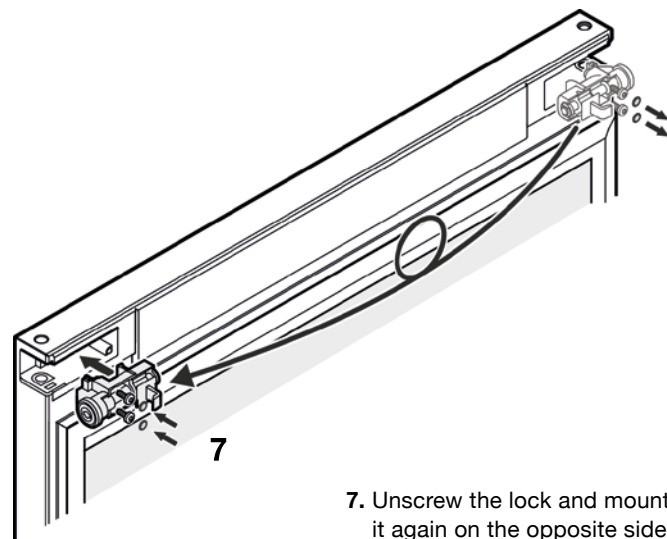
- Important**
The door must now be held securely by a second person.
4. Pull out hinge pin.



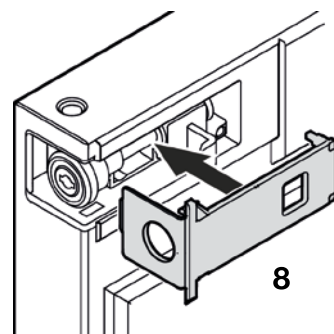
5. Tilt door slightly to the side and remove by lifting upwards.



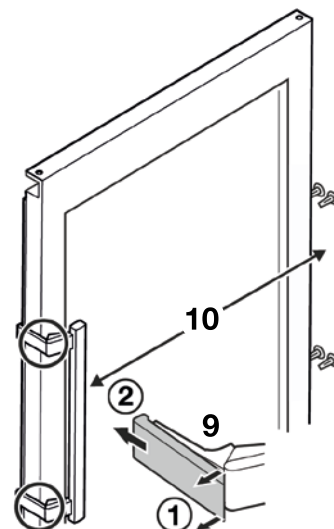
6. Release cover with a small screwdriver and remove it.



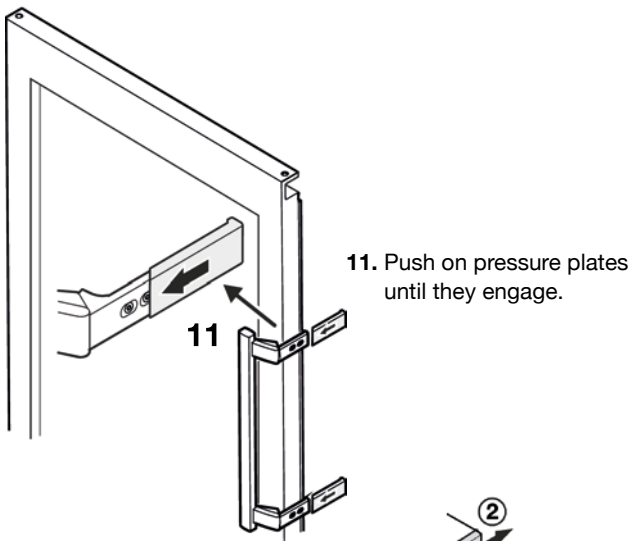
7. Unscrew the lock and mount it again on the opposite side of the door.



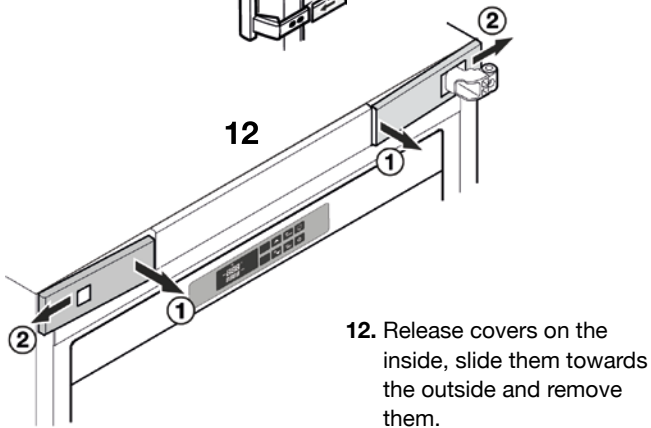
8. Click cover into place.



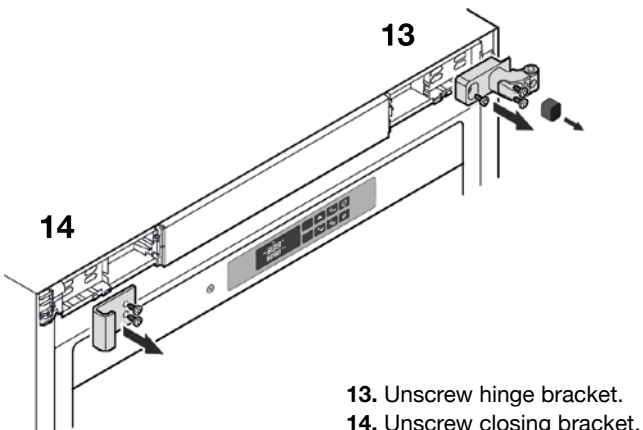
9. Release pressure plates at the front (1) and pull them backwards to remove (2).
10. Unscrew door handle and install it again on the opposite.



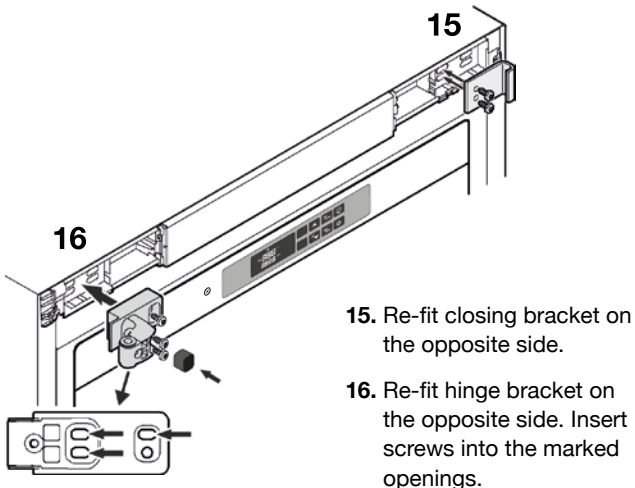
11. Push on pressure plates until they engage.



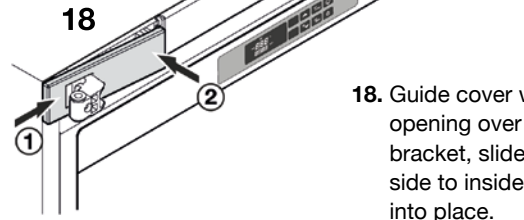
12. Release covers on the inside, slide them towards the outside and remove them.



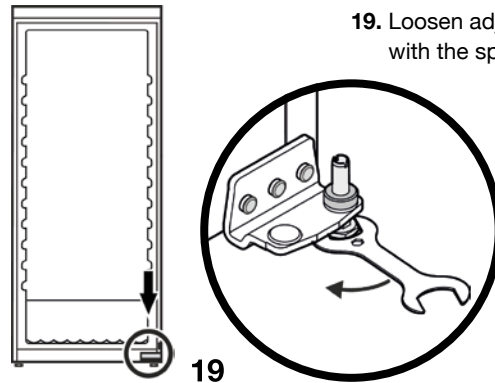
13. Unscrew hinge bracket.
14. Unscrew closing bracket.



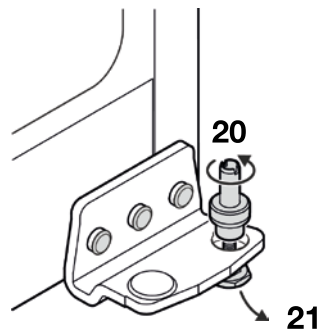
15. Re-fit closing bracket on the opposite side.
16. Re-fit hinge bracket on the opposite side. Insert screws into the marked openings.



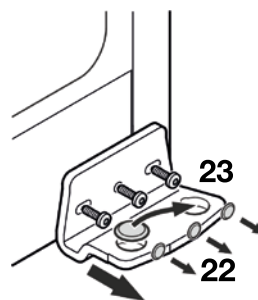
17. Slide cover (with the smaller opening) from outside to inside and click it into place.
18. Guide cover with the larger opening over the hinge bracket, slide it from outside to inside and click it into place.



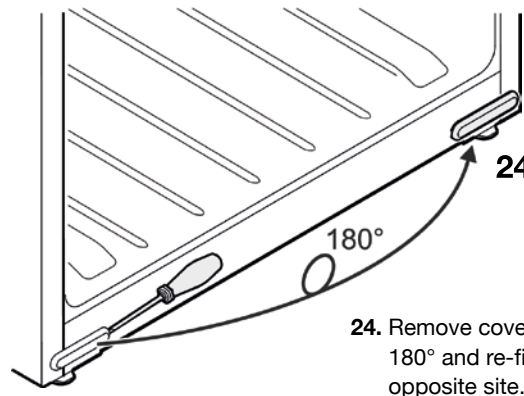
19. Loosen adjustable foot with the spanner provided.



20. Pull hinge pin upwards and unscrew it from the adjustable foot.
21. Pull adjustable foot downwards to remove it.

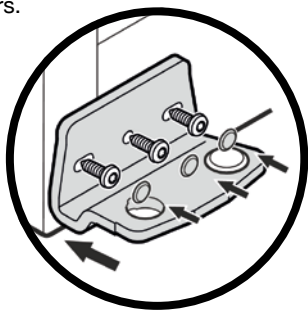


22. Remove covers and unscrew hinge bracket.
23. Transfer cover to the opposite side.

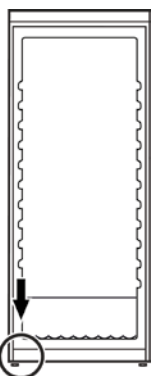


24. Remove cover, turn it by 180° and re-fit it on the opposite site.

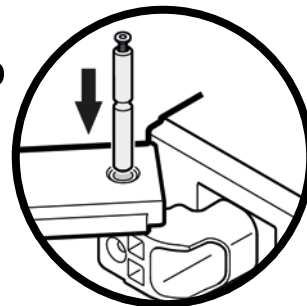
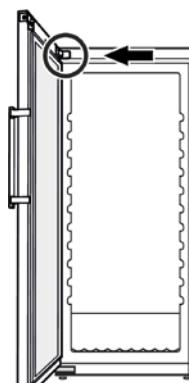
25. Screw hinge bracket into place, then re-fit screw covers.



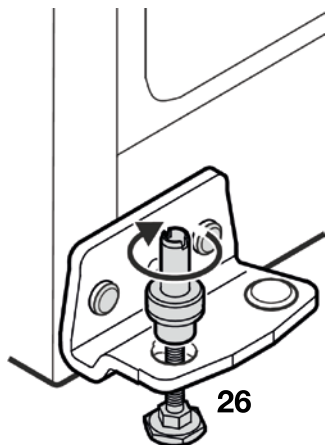
25



29

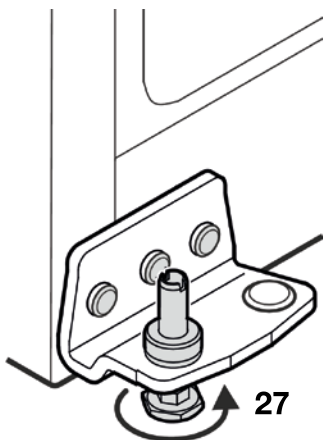


29. Insert hinge pin.



26

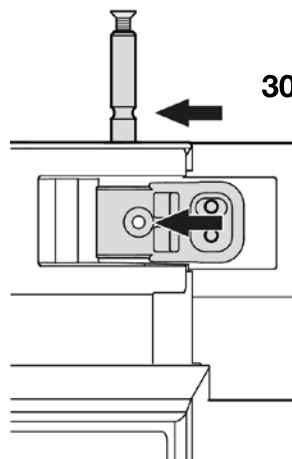
26. Fit adjustable foot from below and attach hinge pin to it.



27

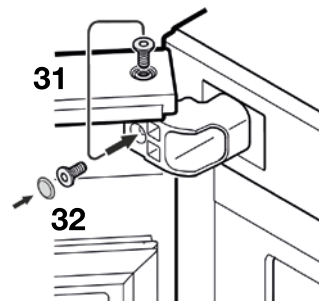
27. Insert pin fully into hinge bracket and tighten adjustable foot by hand.

Front view of top hinge bracket



30

30. Push in hinge pin until groove in the pin is aligned with the borehole in the hinge bracket.

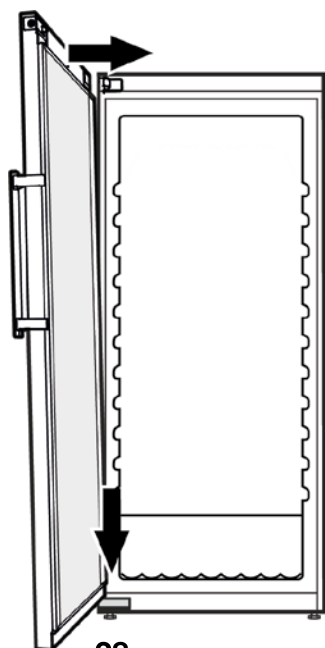


31

31. Remove screw from hinge pin and screw it into the borehole in hinge bracket.

32

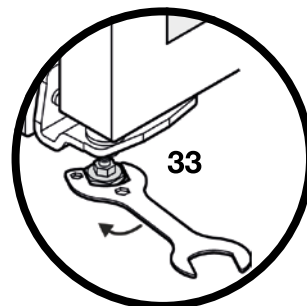
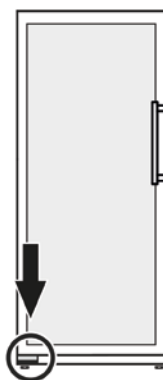
32. Fix cover from 2. on top of screw.



28

28. Place door on pin and move the top of it towards the hinge bracket.

Important
The door must now be held securely by a second person.

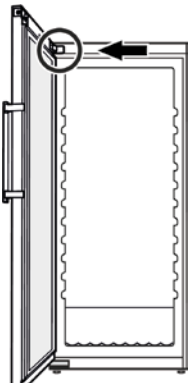


33

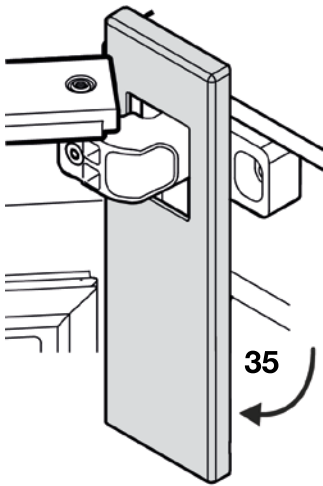
33. Place the appliance in its final position at the place of installation. Extend the adjustable foot at the bottom hinge bracket until it rests on the floor and then make a further 90° turn.

Adjusting the lateral tilt of the door

If the door is at an angle, adjust the angle.

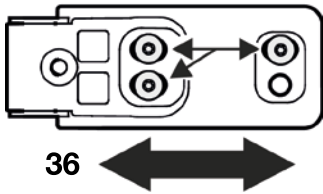


34. Release cover on the inside and slide to the outside.

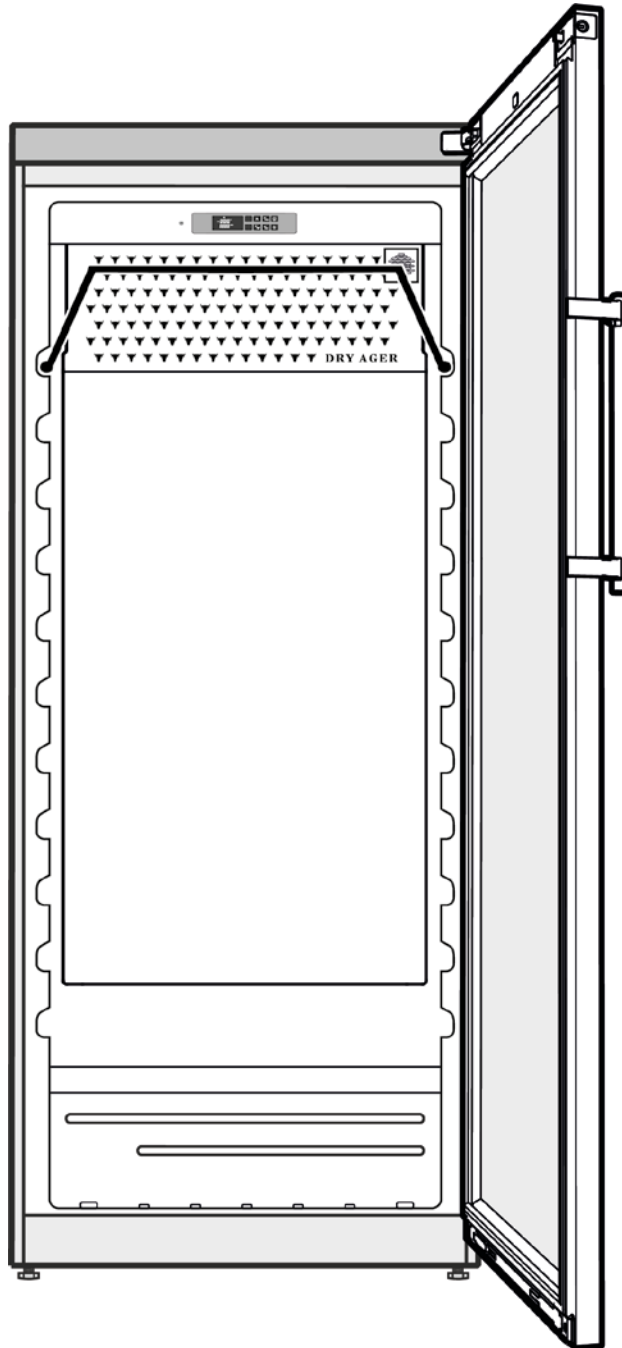


35. Turn cover downwards.

Front view of top hinge bracket



36. Loosen screws and slide hinge bracket to the right or left. Tighten screws. Re-fit cover following the instructions above in reverse order. Close door and check that it is aligned with the side walls of the appliance.



Êtes-vous prêts pour la vraie maturation ? Parfait - commencez avec DRYAGER™ !

Scannez le code ou consultez my.dry-ager.com pour accéder à : la version numérique de ce manuel, des instructions vidéo pour l'installation et l'utilisation, la base de données des recettes et de nouvelles idées de maturation, le formulaire de contact de l'équipe de boucherie DRYAGER™ et bien plus encore.

Sommaire	Page
Veillez lire attentivement et respecter les instructions suivantes	22
California Proposition 65	22
Élimination des vieux appareils	23
Élimination de cet appareil	23
Élimination de l'emballage	23
Fluide réfrigérant R600a	23
Verrou de sécurité	23
Informations importantes de sécurité	23
Sécurité électrique	24
Règlements relatifs à la sécurité	24
Dimensions	25
Description de l'appareil	25
Systèmes intégrés	25
Paramétrer l'appareil	26
Installation encastrée	26
Préparer l'appareil	27
Nettoyer l'appareil et les accessoires	27
Insérer le cintre	27
Faire fonctionner l'appareil	28
Vue d'ensemble du panneau de commande	28
Éléments de commande	28
Combinaisons des éléments de commande	28
Affichage des commandes et symboles	28
Démarrer l'utilisation	29
Raccordement électrique	29
Allumer l'appareil	29
Allumer/éteindre l'éclairage intérieur et ajuster la luminosité (en option)	29
Allumer la stérilisation UVC	29
Régler la température et l'humidité de consigne	29
Régler la température	29
Régler l'humidité	29
Verrouiller et déverrouiller le clavier (en option)	29
Verrouiller et déverrouiller la porte (en option)	29
Charger des aliments dans l'appareil	30
Sélectionner les aliments	30
Attendre que les conditions climatiques soient atteintes	30
Remplir l'appareil	30
Prendre en compte le temps de maturation	31
Pendant le fonctionnement de l'appareil	31
Éteindre l'appareil	31
Instructions de nettoyage	32
Fréquence de la procédure de nettoyage	32
Préparer la procédure de nettoyage	32
Nettoyer le cintre et autres accessoires	32
Nettoyer l'intérieur de l'appareil	32
Nettoyer l'extérieur de l'appareil	32
Dépannage	32
Messages d'erreur	33
Maintenance	33
Service client	33
Caractéristiques de l'appareil	33
Garantie	34
Changer les charnières de porte	35

Veillez lire attentivement et respecter les instructions suivantes

Ces instructions contiennent des notes de danger, d'avertissement et de prudence.

Ces informations sont importantes pour assurer une installation et une utilisation efficace et en toute sécurité.

Toujours lire les notes de danger, d'avertissement, de prudence et les notes importantes !

DANGER !

La mention Danger indique un risque d'incident pouvant causer des blessures graves ou la mort si les précautions ne sont pas respectées.

AVERTISSEMENT !

La mention Avertissement indique une situation potentiellement dangereuse pouvant causer des blessures graves ou la mort si elle n'est pas évitée.

PRUDENCE !

La mention Prudence indique une situation potentiellement dangereuse pouvant causer des blessures légères et modérées si elle n'est pas évitée.

IMPORTANT

Ceci indique une information particulièrement pertinente pour assurer une installation et une utilisation sans problème.

California Proposition 65

– Ce produit contient des produits chimiques reconnus par l'État de Californie comme pouvant provoquer le cancer ou des problèmes liés à la reproduction.

– Ce produit peut vous exposer à des produits chimiques, y compris le phtalate de diisononyle (DINP) reconnu par l'État de Californie comme pouvant provoquer le cancer.

Pour en savoir plus, consultez www.P65Warnings.ca.gov.

– Ce produit peut vous exposer à des produits chimiques, y compris le phtalate de diisodécyle (DIDP) reconnu par l'État de Californie comme pouvant causer des malformations congénitales ou d'autres problèmes liés à la reproduction.

Pour en savoir plus, consultez www.P65Warnings.ca.gov.

IMPORTANT

Tous les types et modèles sont sujets à un processus continu d'amélioration. Le fabricant se réserve le droit d'apporter des modifications à la forme, aux équipements et à la technologie.

Élimination des vieux appareils



Risque de piégeage d'enfants

DANGER : Risque de piégeage d'enfants. Avant de vous débarasser de votre ancien appareil :

- Retirez les portes.
- Laissez les étagères en place afin que les enfants ne puissent pas grimper facilement à l'intérieur.

Élimination de cet appareil

Cet appareil contient des gaz inflammables dans le circuit de réfrigération et l'isolation en mousse.

Veillez contacter votre municipalité ou l'entreprise en charge de l'élimination des déchets de votre région pour obtenir des informations sur le recyclage ou l'élimination de ce type d'appareil.

Élimination de l'emballage

L'emballage est conçu pour protéger l'appareil et les éléments individuels pendant le transport et est fait de matériaux recyclables.



Gardez les emballages hors de portée des enfants. Les films et sacs en polyéthylène peuvent provoquer l'étouffement !

Si possible, recyclez les matériaux d'emballage dans un centre de recyclage.

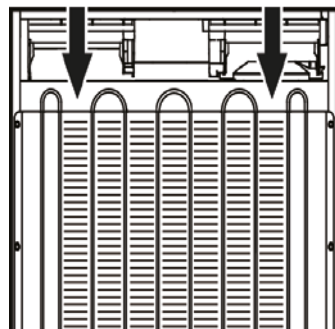
Fluide réfrigérant R600a



Le fluide réfrigérant R600a contenu dans l'appareil est respectueux de l'environnement, mais inflammable. Les fuites de fluide réfrigérant peuvent prendre feu.

Pour éviter les risques d'une éventuelle inflammation, veuillez suivre les conseils suivants :

- Assurez-vous que les ouvertures de ventilation ne sont pas obstruées, dans l'enceinte de l'appareil ou dans la structure encastrée.
- Pour assurer une bonne ventilation, ne couvrez pas les ouvertures de ventilation. Les ouvertures de ventilation sont localisées dans la zone supérieure au dos de l'appareil indiquée avec des flèches sur l'illustration à droite.



• N'utilisez pas d'appareils mécaniques ou d'autres moyens pour accélérer le processus de dégivrage, autres que ceux recommandés par le fabricant.

• N'endommagez pas le circuit de réfrigération.

• Les pièces et cordons d'alimentation doivent être remplacés par des éléments similaires. Le remplacement doit être effectué par le personnel de maintenance agréé du fabricant uniquement.

• N'utilisez pas d'appareils électriques à l'intérieur des compartiments de stockage d'aliments de l'appareil, à moins qu'ils soient recommandés par le fabricant.

Verrou de sécurité



Pour éviter tout risque dû à une instabilité de l'appareil, celui-ci doit être fixé selon les présentes instructions.

Informations importantes de sécurité

- Si l'appareil est endommagé au moment de la livraison, veuillez contacter votre fournisseur immédiatement avant de brancher l'appareil sur secteur.
- Pour assurer une utilisation en toute sécurité, assurez-vous que l'appareil est réglé et raccordé comme décrit dans le présent manuel.
- Débranchez l'appareil de la source de courant si un défaut survient. Retirez la prise de branchement, éteignez ou désactivez la source de courant.
- Lorsque vous débranchez l'appareil, tirez toujours sur la prise de branchement, jamais sur le cordon d'alimentation.
- Toute réparation et intervention sur l'appareil doit être effectuée par le service client. Toute intervention non autorisée peut être dangereuse pour l'utilisateur. Le cordon d'alimentation doit être changé ou remplacé par le service client.
- Ne stockez pas de substances explosives, comme des bombes aérosols contenant des substances inflammables, dans cet appareil. Les composants électriques peuvent provoquer l'inflammation de gaz en cas de fuites. Vous pouvez identifier ces sprays en analysant la liste imprimée du contenu ou par un symbole de flamme.
- Pour éviter tout risque de blessure dû à un choc électrique, assurez-vous de bien débrancher le cordon d'alimentation ou d'éteindre le disjoncteur / retirer le fusible avant de nettoyer l'appareil.
- Pour éviter tout risque de blessure ou de dommage, n'utilisez pas d'équipement de nettoyage à vapeur pour nettoyer l'appareil.
- N'utilisez pas l'appareil en présence de fumées explosives.
- En cas de panne de courant, ouvrez la porte le moins fréquemment possible.
- Pour protéger l'appareil contre tout dommage possible, laissez-le reposer 1/2 à 1 heure avant de le brancher électriquement. Ceci permet au fluide réfrigérant et au système de lubrification d'atteindre l'équilibre.

Sécurité électrique

Raccordez cet appareil à un circuit 15 A, 110-120 VAC relié à la terre et protégé par un disjoncteur ou un fusible.

Nous recommandons d'utiliser un circuit dédié pour cet appareil afin d'éviter la surcharge du circuit et les risques d'interruption de l'appareil.

Cet appareil est équipé d'une prise de branchement polarisée à trois broches (avec mise à la terre) pour votre protéger contre les éventuels risques de choc électrique.

Si une prise murale à deux broches se situe à l'emplacement que vous avez choisi pour installer l'appareil, contactez un électricien qualifié et faites remplacer cette prise murale par une prise à trois broches correctement reliée à la terre, conformément à tous les codes et ordonnances locaux.

AVERTISSEMENT !

Risque d'électrocution.

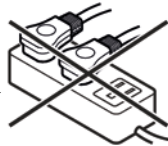
La mise à la terre électrique est requise.

• Ne retirez pas la broche ronde de mise à la terre de la prise de branchement.



• N'utilisez pas de rallonges électriques ni d'adaptateurs sans mise à la terre (à deux branches).

• N'utilisez pas de cordon d'alimentation effiloché ou endommagé.



• N'utilisez pas de multiprise.

Le non-respect de ces instructions peut entraîner un incendie, un choc électrique ou la mort.

Règlements relatifs à la sécurité

Cet équipement est conçu pour la maturation de viande, poisson, jambon, salami, fromage, fruits et légumes sans emballage.

IMPORTANT

L'appareil n'est pas prévu pour une utilisation à l'extérieur.

Classe climatique

La classe climatique indique l'échelle de température ambiante dans laquelle l'appareil peut être utilisé pour atteindre son entière capacité de refroidissement.

Classe climatique	Température ambiante max.	Humidité relative max.
7	95 °F (35 °C)	70 %

La température ambiante minimale sur le lieu d'installation est de 50°F (10°C).

IMPORTANT

Ne faites pas fonctionner l'appareil en dehors des plages de température spécifiées.

- Le circuit de réfrigération a passé un test de recherche de fuites.
- L'appareil est conforme aux règles de sécurité en vigueur.

UL 60335-1: 2016

UL 60335-2-89: 2017

CAN/CSA-C22.2 No. 60335-1:16

CAN/CSA-C22.2 No. 60335-2-89:17

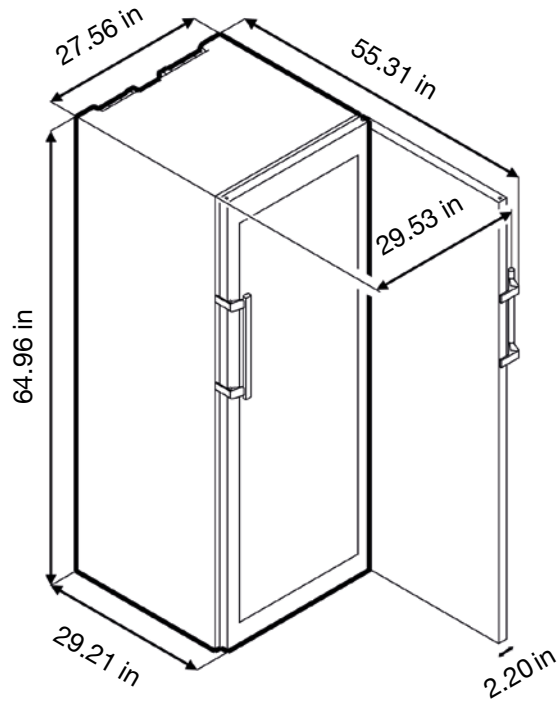
Nous recommandons de nettoyer l'appareil avant de le mettre en marche pour la première fois (voir section **Instructions de nettoyage**, page 32).

AVERTISSEMENT !

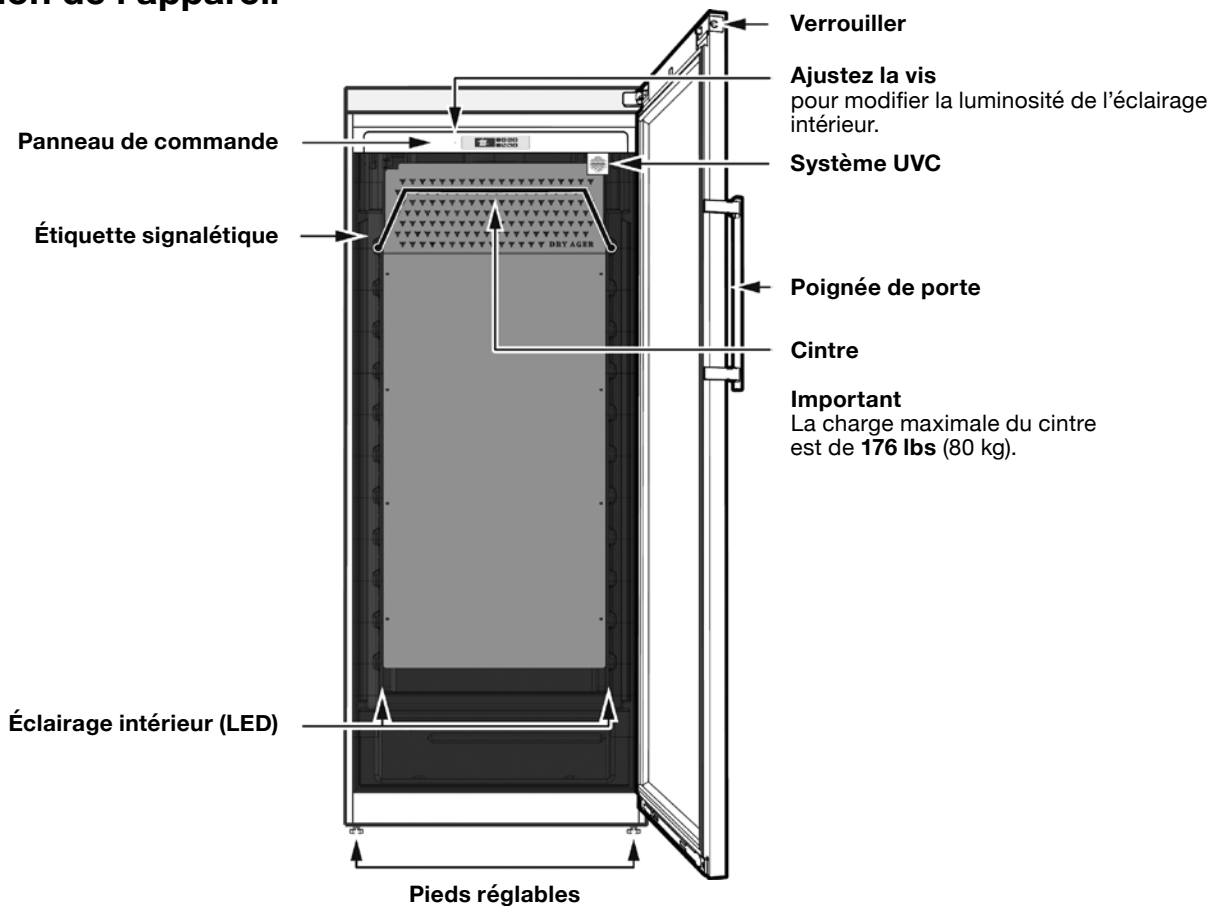
Ne laissez pas les enfants jouer avec l'appareil. Les enfants ne doivent pas grimper, s'asseoir ou se tenir debout sur les étagères ou la porte. Le non-respect de ces instructions peut provoquer de graves blessures ou la mort.

Dimensions

FR



Description de l'appareil



Systèmes intégrés

Humicontrol™

Commande électronique de l'humidité de 60% à 90% (aucun raccordement à l'eau ou à un conteneur d'eau nécessaire pour ce système).

UX Airreg™

Circulation d'air optimale et système de stérilisation anti-germes à ultra-violet UVC.

Éclairage intérieur à LED UX

Le spectre lumineux ne contient aucun rayon ultra-violet, ce qui permet une production minimale de chaleur et ne produit pas d'effet de réchauffement de la viande.

Dégivrage automatique, évaporation automatique de la condensation, signal d'alarme sonore et visuel, porte verrouillable et réversible, joint de porte magnétique.

Paramétrer l'appareil

⚠ PRUDENCE !

Pour éviter tout risque de blessure corporelle ou de dommages matériels, la présence de deux personnes est recommandée pour déplacer l'appareil et le mettre en place.

⚠ AVERTISSEMENT !

L'appareil ne doit pas être installé de manière transportable.

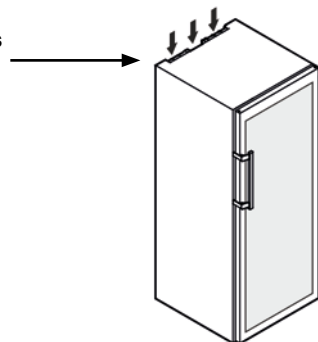
- Examinez l'appareil et l'emballage de transport pour détecter les dommages éventuellement causés par le transport. Contactez immédiatement le transporteur si vous soupçonnez un dommage.

- Notez les informations pertinentes de l'étiquette signalétique dans l'espace prévu à cet effet de la section **Caractéristiques de l'appareil** (page 33).

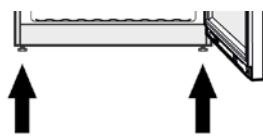


- Évitez de placer l'appareil directement exposé au soleil ou à proximité d'un four, de radiateurs et d'autres sources de chaleur similaires.

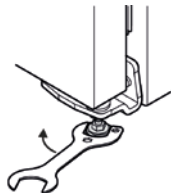
- Ne couvrez pas les ouvertures ou les grilles de ventilation.



- Le sol sur lequel se trouve l'appareil doit être horizontal et à niveau. Compensez les éventuelles inégalités du sol en ajustant les pieds réglables.



- Placez l'appareil à son emplacement final sur le lieu d'installation. Allongez le pied réglable de la charnière inférieure jusqu'à ce qu'il repose sur le sol, puis faites à nouveau tourner de 90°.



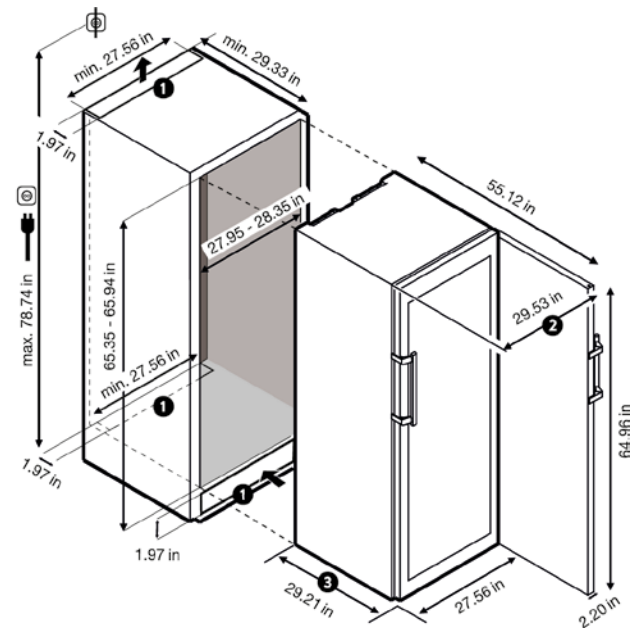
- L'appareil peut être utilisé seul ou encastré comme une unité unique ou côte à côte (voir la section **Installation encastrée**, page 26).
- En option : Pour changer les charnières de porte, reportez-vous à la section **Changer les charnières de porte** (page 35).

Installation encastrée

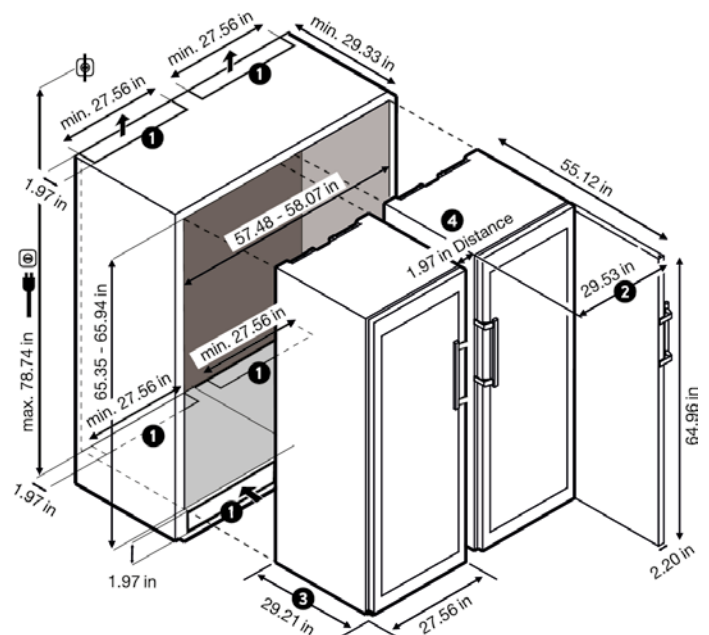
Il est absolument nécessaire d'assurer une bonne circulation de l'air autour de l'appareil. La largeur des puits de ventilation doit faire au moins la largeur de l'appareil (voir ❶). La profondeur minimale requise des puits est de 1.97 in. Assurez-vous également que l'arrière de l'appareil est positionné à une distance d'au moins 1.97 in du mur.

- Dimensions globales porte ouverte (voir ❷) : **29.53 in.**
- Dimensions globales unité + porte (en saillie) (voir ❸) : **29.21 in.**
- Couverture de la distance (voir ❹) possible par moulage DRYAGER™, disponible comme accessoire à l'adresse suivante : shop.dry-ager.com.

Unité d'intégration simple.



Intégration côte à côte

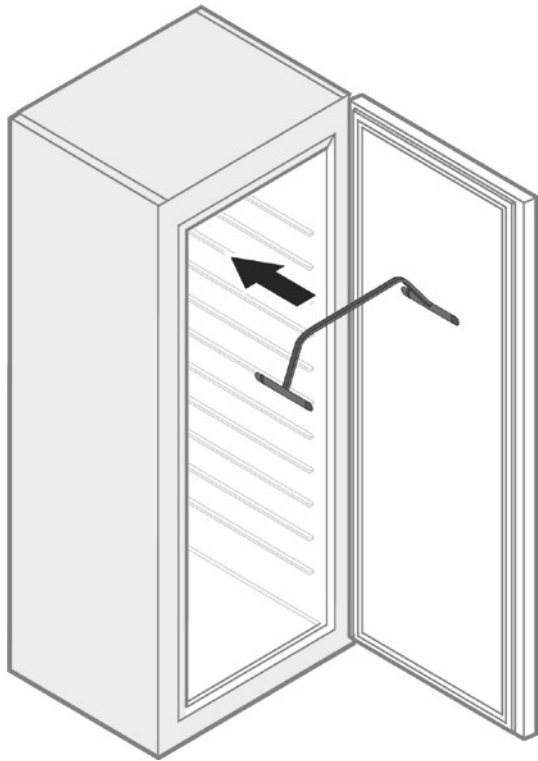


Préparer l'appareil

1. Nettoyer l'appareil et les accessoires.

Voir la section **Instructions de nettoyage**, page 32.

2. Insérer le cintre



Obtenez des étagères, une plaque et d'autres accessoires ici: shop.dry-ager.com

Faire fonctionner l'appareil

Vue d'ensemble du panneau de commande



Éléments de commande



Augmente la valeur affichée.
Pour allumer/éteindre la stérilisation anti-germes à ultra-violets UVC, appuyez sur le bouton pendant au moins 5 sec.



Diminue la valeur affichée



Afficher / Modifier les réglages de la température.



Afficher / Modifier les réglages de l'humidité.
Sélectionnez ou confirmez un paramètre pendant la programmation.



Bouton ON/OFF de l'éclairage intérieur



Interrupteur d'alimentation ON/OFF

Combinaisons des éléments de commande



Verrouiller et déverrouiller le clavier

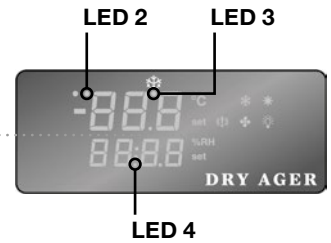


Entrez dans le menu de configuration de commande

Affichage des commandes et symboles

Affichage de température

Affichage d'humidité



LED/symbole	Mode	Fonction
LED 4	Allumé	En attente, point décimal
°C	Allumé	°C unité de température
❄️	Allumé	Réfrigération
❄️	Clignotant	Réfrigération retardée
LED 3 ❄️	Allumé	Dégivrage actif
☀️	Allumé	Chauffage actif
set	Clignotant	Température de consigne (affichage de température) / Humidité relative de consigne (affichage d'humidité)
(!!)	Allumé	Alarme sonore
🌀	Allumé	Ventilateurs en fonctionnement
%RH	ALLUMÉ	Humidité relative % unité
LED 2	ALLUMÉ	Stérilisation UVC active


Démarrer l'utilisation

1. Raccordement électrique

Lisez attentivement la section **Sécurité électrique** (page 24) avant de brancher l'appareil à la prise de courant.


2. Allumer l'appareil



Appuyez sur  jusqu'à ce que l'écran s'allume.

3. Allumer/éteindre l'éclairage intérieur et ajuster la luminosité (en option)



Appuyez sur  pour allumer l'éclairage intérieur. Répétez l'action pour éteindre l'éclairage.

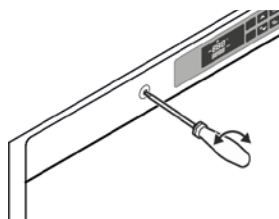
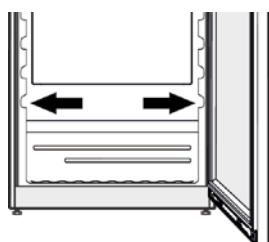
Éclairage intérieur

L'intérieur de l'appareil est éclairé par une bande LED de chaque côté du conteneur intérieur.

L'éclairage LED correspond au groupe de risque RG2.

Pour augmenter (réduire) la luminosité de la LED, tournez la vis de réglage avec un tournevis dans le sens horaire (anti-horaire).

Un couple limite est appliqué avec le tournevis pour ne pas dépasser la limite de rotation dans les deux sens (angle de rotation total max. ~300°).



IMPORTANT

Le cache-lumière ne peut être enlevé que par le personnel du service client.




PRUDENCE !

Risque de lésions oculaires. Si le cache-lumière est retiré, ne regardez pas directement la lumière à travers des lentilles optiques de près.

4. Allumer la stérilisation UVC



Appuyez sur  pendant environ 5 secondes jusqu'à ce que LED 2 s'allume à l'écran.

IMPORTANT

La stérilisation anti-germes à ultra-violets UVC doit être activée lorsque vous faites mûrir des aliments dans l'appareil.

5. Régler la température et l'humidité de consigne

Les réglages recommandés de température et d'humidité pour la maturation dépendent du type d'aliments.

Pour **faire mûrir du bœuf** et du **porc**, nous recommandons une température de **1.5°C (34.7°F)** et **82 %** d'humidité relative.





Scannez le code ou rendez-vous sur my.dry-ager.com pour en savoir plus sur les réglages de température et d'humidité pour d'autres aliments.

Pour régler la température et l'humidité souhaitées, procédez selon 6. et 7.

6. Régler la température



1. Appuyez sur le bouton de réglage de la température : La valeur de température réglée s'affiche et clignote.



2. Utilisez les flèches  et  pour changer la valeur réglée.

3. Confirmez la valeur réglée en appuyant sur le bouton de réglage de la température. La température affichée maintenant indique la valeur de température actuelle.

7. Régler l'humidité



1. Appuyez sur le bouton de réglage %RH : La valeur d'humidité relative s'affiche et clignote.

2. Utilisez les flèches  et  pour changer la valeur réglée.

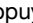
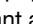
3. Confirmez la valeur réglée en appuyant sur le bouton %RH. La valeur d'humidité affichée maintenant indique la valeur d'humidité relative actuelle.

8. Verrouiller et déverrouiller le clavier (en option)

Le clavier de commande peut être verrouillé/déverrouillé comme suit :


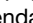


Verrouiller

Appuyez sur  et , et maintenez ces boutons pendant au moins 3 secondes. « POF » apparaît à l'écran pendant quelques secondes.



Déverrouiller

Appuyez sur  et , et maintenez ces deux boutons pendant au moins 3 secondes. « PON » apparaît à l'écran pendant quelques secondes.

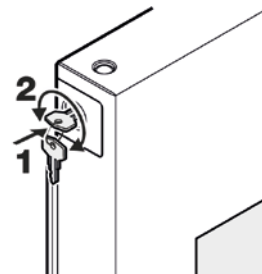
9. Verrouiller et déverrouiller la porte (en option)

Le verrouillage de la porte de l'appareil est équipé d'un mécanisme de sécurité.

Verrouiller l'appareil

- Insérez la clé comme indiqué par la flèche 1
- Tournez la clé à 180°

Pour déverrouiller l'appareil, répétez la même procédure.



AVERTISSEMENT !

Risque de piégeage d'enfants et d'étouffement en raison du verrouillage de la porte de l'appareil. Gardez la clé dans un endroit sûr hors de portée des enfants et non à proximité de l'appareil.

Charger des aliments dans l'appareil

Option 1 : placer des aliments en position suspendue

1. Sélectionner les aliments

IMPORTANT

N'utilisez que des aliments dont la chaîne du froid a été maintenue et qui ont été manipulés dans de bonnes conditions d'hygiène.

Quelques conseils sur la maturation de la viande :

- Utilisez de la viande fraîche sur l'os idéalement 5 jours maximum après abattage, ou 2 semaines maximum après mise sous vide (retirez l'emballage avant maturation).
- Faites maturer des trains de côte ou des morceaux individuels (env. 4-9 lbs ou 2-4 kg) de viande sur os.
- Pour éviter la perte de poids pendant la maturation, privilégiez des viandes disposant d'une bonne couche protectrice grasseuse sur os.
- Recommandations pour la maturation du bœuf : trains de côte de génisse avec une bonne couche grasseuse et des marbrures.



Rendez-vous sur my.dry-ager.com ou scannez le code pour plus de conseils sur la sélection des aliments.

2. Attendre que la valeur de température réglée soit atteinte

IMPORTANT

Avant de charger l'appareil avec des aliments, attendez que la valeur de consigne de température soit atteinte.

- Pour que la régulation de l'humidité fonctionne correctement, l'appareil doit être chargé avec des aliments.

3. Remplir l'appareil

IMPORTANT

Lorsque vous utilisez de la viande congelée, décongelez les aliments avant de les mettre dans l'appareil.

Portez des vêtements de protection (gants, etc.) lorsque vous manipulez les aliments.

Pour des conditions de maturation optimales, il est nécessaire d'assurer une bonne circulation d'air autour des aliments : évitez que les aliments entrent en contact entre eux et avec l'intérieur du conteneur.

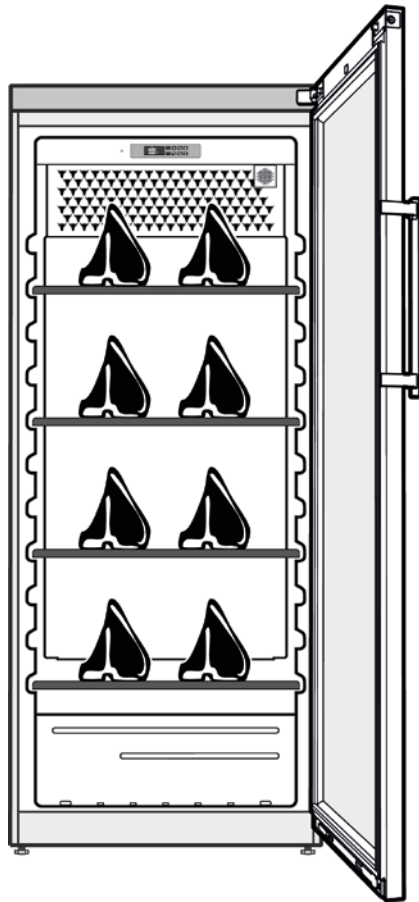


Obtenez des crochets et d'autres accessoires ici : shop.dry-ager.com

Option 2 : placer des aliments en position horizontale (en option)

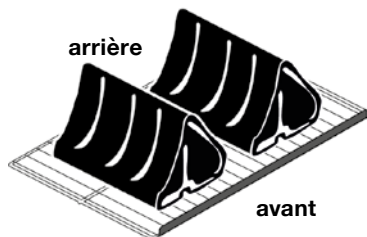


Nécessite des étagères, disponibles à l'adresse suivante: shop.dry-ager.com



Placez les aliments comme indiqué dans l'illustration:

évittez que les aliments entrent en contact entre eux et avec l'intérieur du conteneur.



4. Prendre en compte le temps de maturation

Le temps de maturation optimal dépend de plusieurs paramètres. Les temps de maturation habituels, qui peuvent être considérés comme des temps de référence, sont les suivants :

Viande de bœuf fraîche : ~ 21-28 jours

Viande de porc fraîche : ~ 14-21 jours

Viande conditionnée sous vide

(retirer l'emballage avant maturation) : jusqu'à ~ 14-18 jours



Pour produire de la **charcuterie** (jambon, saucisses etc.) et en savoir plus sur les temps de maturation, rendez-vous sur my.dry-ager.com ou scannez le code.

Pendant le fonctionnement de l'appareil

IMPORTANT

Pour maintenir les conditions désirées à l'intérieur de l'appareil, assurez-vous que l'alimentation en courant n'est pas interrompue pendant une période prolongée.


*Nettoyez l'appareil régulièrement (voir section **Instructions de nettoyage**, page 32).*

*Vérifiez régulièrement les aliments à maturer. Si vous observez des moisissures, une odeur inhabituelle (par ex. piquante ou putride) ou toute autre contamination potentielle des aliments, éliminez les aliments conformément aux règles et réglementations locales. Puis, nettoyez soigneusement l'appareil conformément à la section **Instructions de nettoyage** (page 32).*

Éteindre l'appareil

Après avoir terminé la maturation des aliments dans l'appareil, avant le nettoyage ou pour toute autre raison, l'appareil peut être éteint comme suit :



Appuyez sur  une fois jusqu'à ce « OFF » s'affiche à l'écran et que LED 4 s'allume. L'appareil est maintenant en mode veille et le compresseur est éteint.

Si vous souhaitez éteindre l'appareil pendant une longue durée, éteignez-le et débranchez la prise de branchement ou coupez le disjoncteur / retirez le fusible. Nettoyez l'appareil et laissez la porte ouverte pour éviter les mauvaises odeurs.

Instructions de nettoyage

⚠ AVERTISSEMENT !

Pour éviter tout risque de blessure dû à un choc électrique, assurez-vous de bien débrancher le cordon d'alimentation ou d'éteindre le disjoncteur / retirer le fusible avant de nettoyer l'appareil.

Pour éviter tout risque de blessure ou de dommage, n'utilisez pas d'équipement de nettoyage à vapeur pour nettoyer l'appareil.

IMPORTANT

N'utilisez pas d'éponges abrasives. N'utilisez pas de produits nettoyants agressifs contenant des solvants acides ou chimiques. Commencez par tester le produit nettoyant sur une petite surface dans un endroit non visible avant de nettoyer l'unité complète.

N'essuyez pas les surfaces en acier inoxydable avec des chiffons sales, sinon des taches de rouille inesthétiques peuvent se former.

Veillez à ce qu'aucun détergent ou eau de nettoyage ne pénètre dans les parties électriques et dans le panneau de ventilation (dans la zone des têtes de taureau et sur la stérilisation UVC). N'utilisez pas une éponge ou un chiffon trop mouillé.

N'endommagez pas et ne retirez pas l'étiquette signalétique à l'intérieur de l'appareil. Elle est importante pour le service client et toute réclamation au titre de la garantie.

Fréquence de la procédure de nettoyage

Nettoyez régulièrement l'intérieur et l'extérieur de l'appareil, le cintre et autres accessoires en suivant les étapes de nettoyage 1. à 4. ci-dessous.

1. Préparer la procédure de nettoyage

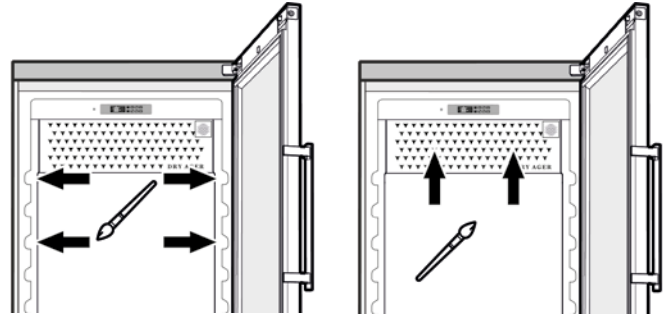
- Portez des gants de protection propres.
- Retirez tous les aliments de l'appareil et stockez-les temporairement dans un endroit frais.
- Éteignez l'appareil. Puis débranchez le cordon d'alimentation ou éteignez le disjoncteur / retirez le fusible.
- Retirez tous les accessoires (cintre, etc.) de l'appareil.

2. Nettoyer le cintre et autres accessoires

- Utilisez un lave-vaisselle pour nettoyer le cintre.
- Nettoyez autres accessoires conformément aux instructions de nettoyage figurant dans les manuels respectifs.

3. Nettoyer l'intérieur de l'appareil

- Utilisez un chiffon doux ou une éponge humide (eau tiède + détergent approprié) et la brosse fournie pour nettoyer l'intérieur de l'appareil.
- Utilisez la brosse pour nettoyer les coins et les rainures des étagères à grilles sur les parois latérales et la zone des têtes de taureau.



- Séchez soigneusement toutes les pièces avec un chiffon sec.
- Répétez la procédure de nettoyage si nécessaire.

4. Nettoyer l'extérieur de l'appareil

- Nettoyez la surface de la porte et les parois extérieures avec un chiffon doux et propre. Si nécessaire, utilisez un chiffon légèrement humide (eau + produit nettoyant doux).
- Si nécessaire, vous pouvez utiliser un nettoyant de bonne qualité pour l'acier inoxydable et le verre pour nettoyer les surfaces correspondantes.

Dépannage

Dysfonctionnements

Vous pouvez corriger les défauts suivants en vérifiant les causes possibles vous-mêmes.

• L'appareil ne fonctionne pas

- L'appareil est-il allumé ?
- La prise est-elle branchée correctement dans la prise murale ?
- Le fusible est-il intact ? Le disjoncteur est-il enclenché ?

• Fort bruit de fond

- L'appareil est-il bien posé sur le sol ?
- L'appareil fait-il vibrer des meubles ou des objets proches ? Notez que les bruits causés par le circuit de réfrigération ne peuvent être évités.

• La température affichée n'est pas assez basse

- La température est-elle bien réglée (voir section **Régler la température**, page 29) ?
- Placer un thermomètre séparé dans l'appareil pour vérifier la température affichée par l'appareil.
- Le système de ventilation fonctionne-t-il correctement ?
- L'appareil est-il installé à proximité d'une source de chaleur ?

Si aucune de ces causes ne s'applique et que vous ne pouvez pas corriger le défaut vous-mêmes, contactez le service client (voir section **Service client**, page 33).

Messages d'erreur

Les messages d'erreur du tableau suivant s'affichent à l'écran. Ils sont accompagnés d'une alarme sonore qui peut être acquiescée et éteinte en appuyant sur n'importe quel bouton du clavier de commande.

Message	Causes	Effet sur l'appareil
P1	Erreur sonde température de l'air	La réfrigération et le chauffage sont éteints.
P2	Défaut sonde évaporation	Dégivrage à intervalles de temps fixes. L'affichage alternatif indique le message d'erreur et la température à l'intérieur de l'appareil.
P3	Erreur sonde humidité	Le contrôle de l'humidité est inactif.
HA	Alarme température haute	Réglage intact
LA	Alarme température basse	Réglage intact
HHA	Alarme humidité HAUTE	Réglage intact
LHA	Alarme humidité BASSE	Réglage intact

Action

Contactez le service client (voir section **Service client**, page 33).

Message	Causes	Effet sur l'appareil
dA	Alarme de porte : Porte ouverte pendant une durée prolongée	Réglage intact

Action

Le message disparaît lorsque la porte est fermée.

Message	Causes	Effet sur l'appareil
UCC	Durée de vie de l'ampoule UVC atteinte	Réglage intact

Action

voir section **Maintenance UVC** (page 33).

Maintenance

UVC

Catégories de lampe UV

Type : HNS 5W 2G7 DX

Puissance de la lampe : 5 W

Voltage de la lampe : 24 V

Irradiation UVC initiale >0.16 W/m² @ 1m

L'ampoule UVC doit être changée tous les ans ou lorsque l'appareil affiche le message d'avertissement « UCC » à l'écran.

Veillez à respecter ces lignes directrices de maintenance. Si la lumière UVC n'est pas suffisamment puissante, cela signifie que l'appareil ne fonctionne pas correctement.

Action

Ne commandez que des ampoules UVC originales DRYAGER™ (art. DU0115) et remplacez l'ancienne ampoule UVC comme indiqué dans le manuel fourni avec la nouvelle ampoule.

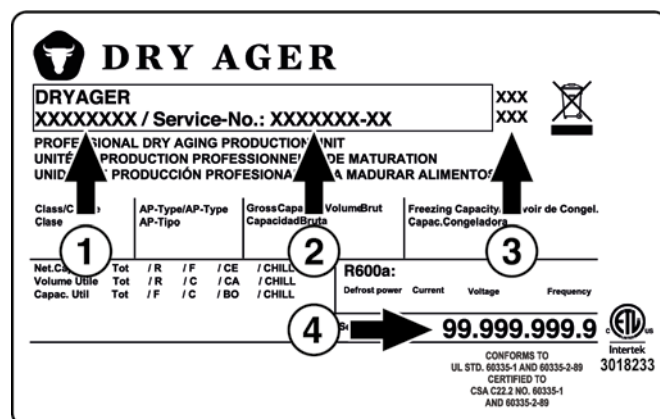
AVERTISSEMENT !

Ne regardez pas les lumières UV ! Protégez la peau et les yeux des lumières UV ! Débranchez l'appareil UV avant toute procédure de maintenance ou de nettoyage !

PRUDENCE !

- Gardez la barrière de protection en place !
- Le verre de quartz est très fragile ! Ne touchez pas le verre de quartz à mains nues. Les taches brûlent dans le verre !

Service client



Lorsque vous contactez le service client (les coordonnées se trouvent au dos de ce manuel), veuillez préciser la désignation du type **1**, le numéro d'identification **2**, le suffixe du numéro d'identification **3** et le numéro de série **4** tels qu'indiqués sur l'étiquette signalétique. L'emplacement de l'étiquette signalétique est indiqué dans la section **Description de l'appareil** (page 25).

Caractéristiques de l'appareil

Enregistrez ces informations lorsque l'appareil est installé.

Désignation du type **1** : _____

Numéro d'identification **2** : _____

Suffixe du numéro d'identification **3** : _____

Numéro de série **4** : _____

Date d'achat : _____

Lieu d'achat : _____

Garantie

GARANTIE TOTALE D'UN AN

Pendant un an à compter de la date d'achat initiale, votre garantie DRYAGER™ couvre toutes les pièces et la main-d'œuvre pour réparer ou remplacer toute partie du produit qui s'avérerait défectueuse en termes de matériaux ou de fabrication, dans le cadre d'une utilisation et d'un entretien normaux et appropriés, tels que spécifiés par DRY AGER, et après une installation et une mise en service correctes, conformément au manuel d'utilisation et d'entretien fourni avec chaque appareil DRYAGER™.

GARANTIE TOTALE DE DEUX ANS SUR LE SYSTÈME SCÉLÉ

Pendant deux ans à compter de la date d'achat initiale, votre garantie DRYAGER™ couvre toutes les pièces et la main-d'œuvre pour réparer ou remplacer tout composant qui s'avérerait défectueux en termes de matériaux ou de fabrication au niveau du système scellé, dans le cadre d'une utilisation et d'un entretien normaux et appropriés. Le « système scellé » désigne le compresseur, le condensateur et/ou l'unité de condensation, l'évaporateur, le séchoir, l'appareil de mesure et tous les tuyaux de raccordement.

CONDITIONS APPLICABLES À CHAQUE GARANTIE

Cette garantie s'applique aux produits achetés et installés aux États-Unis et au Canada. Les produits doivent être achetés dans le pays où le service est requis. Toute pièce couverte par les garanties décrites ci-dessus, jugée par DRY AGER comme ayant été défectueuse dans les délais impartis, est limitée à la réparation ou au remplacement, y compris les frais de main-d'œuvre, des pièces ou assemblages défectueux. La garantie sur la main-d'œuvre comprend uniquement les frais de main-d'œuvre standard en heures normales et avec un temps de déplacement raisonnable, tel que déterminé par DRY AGER. **Cette garantie est nulle en cas d'utilisation abusive de l'application prévue de ces produits.**

Tous les services fournis par DRY AGER dans le cadre de la garantie doivent être effectués par des représentants de maintenance autorisés par DRY AGER, sauf indication contraire de DRY AGER. La garantie ne couvre pas les pièces ou la main-d'œuvre nécessaires pour corriger tout défaut ou dommage causé par une négligence, un accident, un incendie, une inondation, un cas de force majeure, une utilisation inappropriée, un entretien inapproprié, une livraison incorrecte, une installation incorrecte, des coupures de courant, des surtensions, un courant ou une tension ou une alimentation électrique incorrects, l'utilisation de rallonges électriques, une mise à la terre incorrecte, le retrait et la réinstallation du produit s'il n'est pas installé conformément aux instructions d'installation publiées ou dans un endroit inaccessible, les frais de maintenance et réparation ou d'appel de maintenance et réparation pour instruire l'utilisateur sur l'utilisation correcte du produit ou les réparations de pièces ou de systèmes résultant de modifications non autorisées apportées aux réparations du produit, lorsque le produit est utilisé d'une manière contraire aux instructions publiées de l'utilisateur ou de l'opérateur et/ou aux instructions d'installation.

DRY AGER n'est pas responsable des pertes économiques, des pertes de bénéfices ou des dommages directs, indirects ou consécutifs, des pertes ou autres coûts et dépenses résultant de la détérioration de tout élément placé dans un système de réfrigération DRY AGER, qu'il s'agisse d'aliments, de boissons ou autre. En aucun cas, DRY AGER ne pourra être tenu responsable des dommages causés aux biens environnants, y compris, mais sans s'y limiter, aux armoires, sols, plafonds et autres structures ou objets autour du produit. Vous êtes seuls responsables de la structure et de l'installation du produit, y compris, mais sans s'y limiter, de toutes les installations électriques, de plomberie ou autres installations de raccordement, de la bonne fondation/du bon revêtement de sol et de toute modification, y compris, mais sans s'y limiter, des armoires, des murs, du revêtement de sol et des étagères. Les garanties sont nulles si les numéros de série originaux ont été enlevés, altérés ou ne peuvent pas être facilement déterminés. DRY AGER se réserve le droit de modifier ou d'amender cette garantie et/ou toute condition de garantie à la discrétion de DRY AGER.

LES RECOURS DÉCRITS CI-DESSUS POUR CHAQUE GARANTIE SONT LES SEULS QUE DRY AGER FOURNIRA, SOIT DANS LE CADRE DES PRÉSENTES GARANTIES, SOIT DANS LE CADRE DE TOUTE GARANTIE DE PLEIN DROIT. DRY AGER NE POURRA PAS ÊTRE TENU POUR RESPONSABLE DES DOMMAGES CONSÉCUTIFS OU ACCESSOIRES DÉCOULANT DE LA VIOLATION DE CES GARANTIES OU DE TOUTE AUTRE GARANTIE, QU'ELLE SOIT EXPRESSE, IMPLICITE OU LÉGALE.

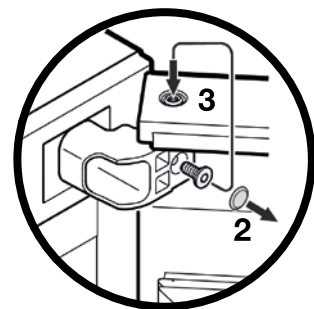
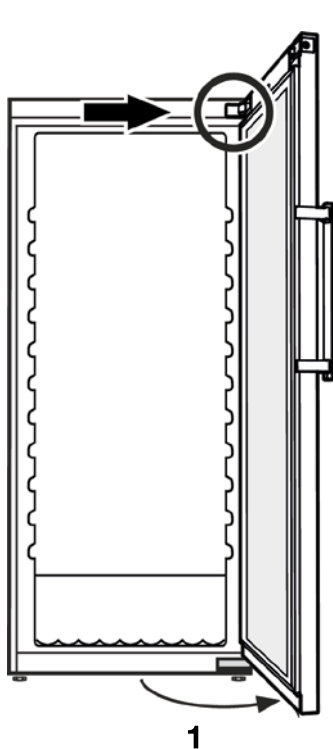
Certains états/provinces n'autorisent pas l'exclusion ou la limitation des dommages accessoires ou indirects, de sorte que la limitation ou l'exclusion ci-dessus peut ne pas s'appliquer à vous. Cette garantie vous donne des droits légaux spécifiques et vous pouvez également avoir d'autres droits légaux qui varient d'un État à l'autre ou d'une province à l'autre.

Pour toute autre demande concernant la garantie ou pour recevoir les pièces et/ou le service et le nom du représentant de maintenance agréé par DRY AGER, pour les États-Unis et le Canada le plus proche de chez vous, contactez le fournisseur de service national désigné par DRY AGER à service-usa@dry-ager.com (service-canada@dry-ager.com), appelez le +1-844-7DR-YAGE (+1-844-737-9243) aux États-Unis et au Canada, ou contactez votre revendeur ou distributeur agréé DRYAGER™.

Changer les charnières de porte

Les charnières de la porte ne doivent être changées que par un expert qualifié. Changer les charnières de porte est un travail pour deux personnes.

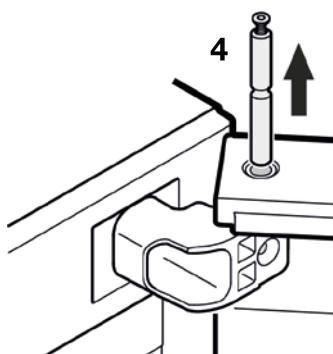
FR



1. Ouvrez la porte à env. 130°.

2. Retirez le couvercle à vis et mettez-le temporairement de côté.

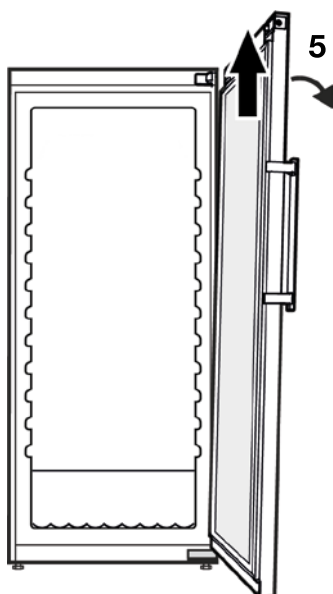
3. Retirez la vis du support de la charnière et insérez-la de 3 à 4 tours dans l'axe de la charnière.



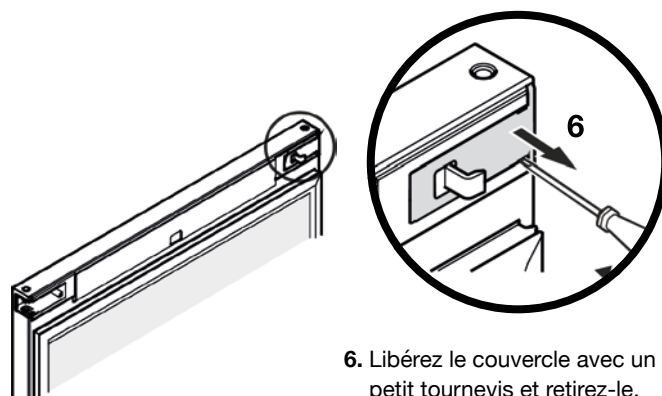
Important

La porte doit désormais être maintenue par une seconde personne pour des raisons de sécurité.

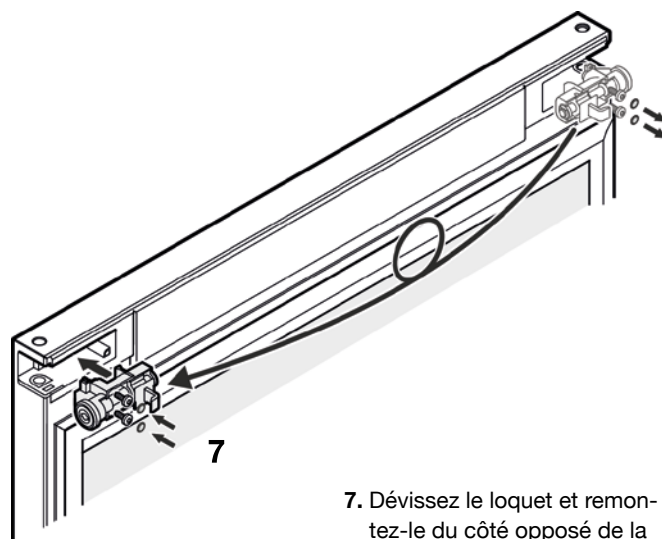
4. Retirez l'axe de la charnière.



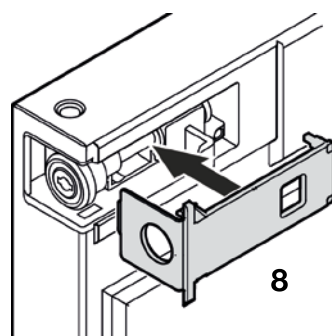
5. Inclinez légèrement la porte sur le côté et retirez-la en la soulevant vers le haut.



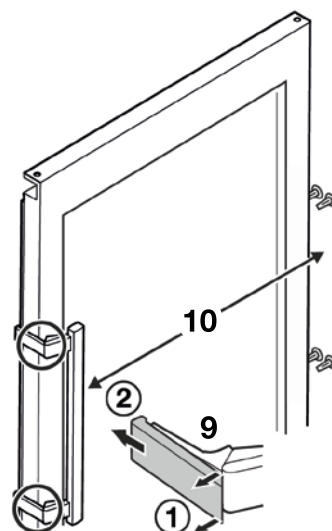
6. Libérez le couvercle avec un petit tournevis et retirez-le.



7. Dévissez le loquet et remontez-le du côté opposé de la porte.

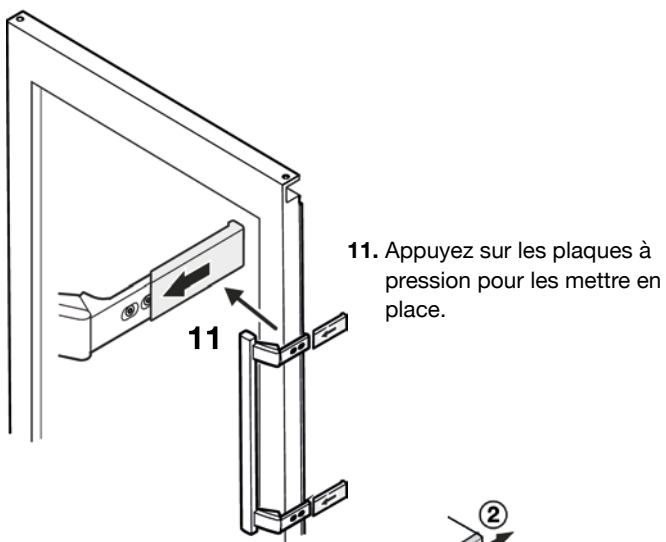


8. Cliquez le couvercle pour le remettre en place.

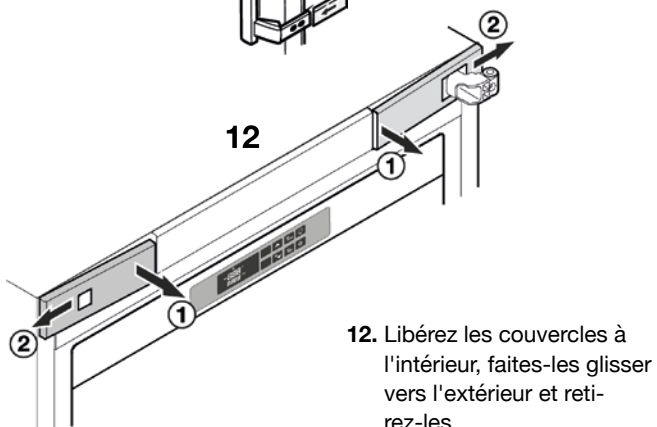


9. Libérez les plaques de pression à l'avant ① et tirez-les vers l'arrière pour les retirer ②.

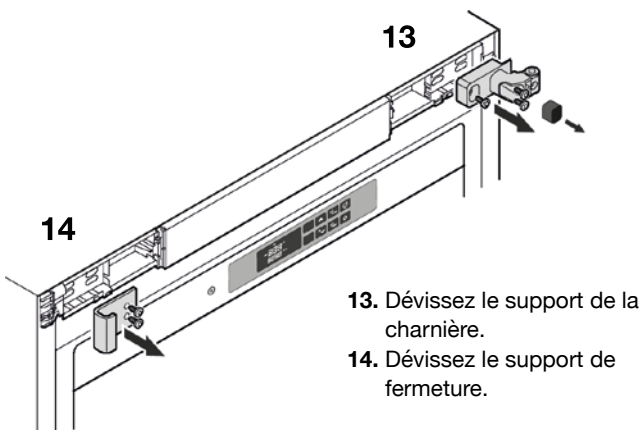
10. Dévissez la poignée de la porte et réinstallez-la du côté opposé.



11. Appuyez sur les plaques à pression pour les mettre en place.

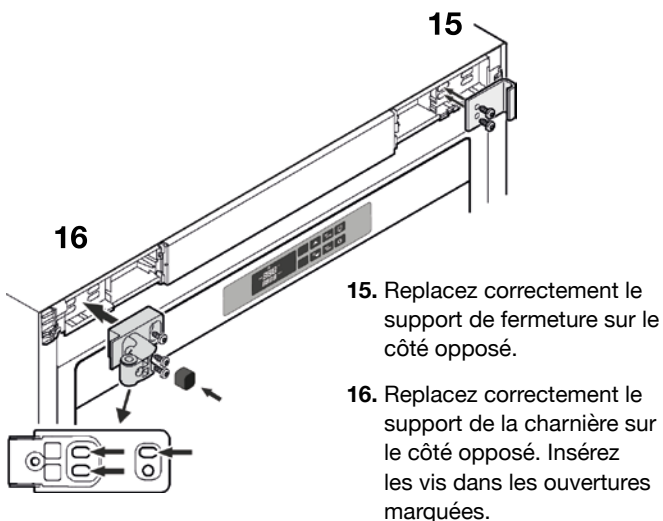


12. Libérez les couvercles à l'intérieur, faites-les glisser vers l'extérieur et retirez-les.



13. Dévissez le support de la charnière.

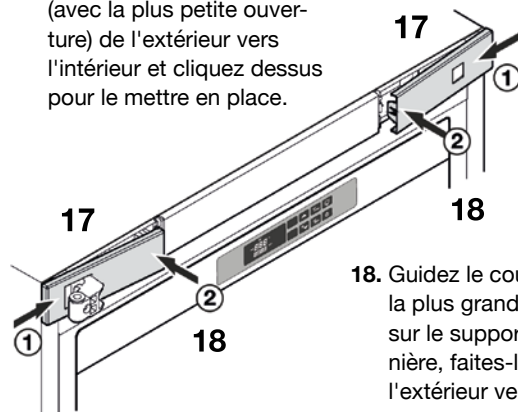
14. Dévissez le support de fermeture.



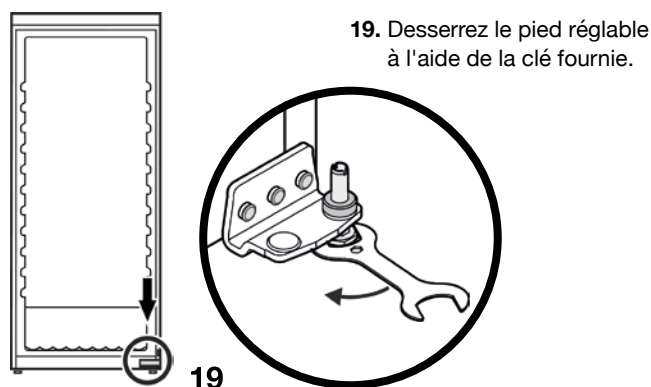
15. Remplacez correctement le support de fermeture sur le côté opposé.

16. Remplacez correctement le support de la charnière sur le côté opposé. Insérez les vis dans les ouvertures marquées.

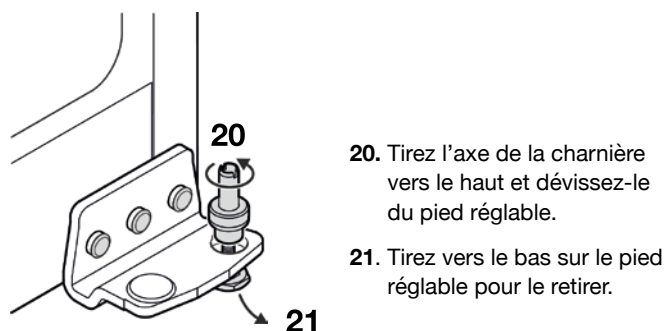
17. Faites glisser le couvercle (avec la plus petite ouverture) de l'extérieur vers l'intérieur et cliquez dessus pour le mettre en place.



18. Guidez le couvercle avec la plus grande ouverture sur le support de la charnière, faites-le glisser de l'extérieur vers l'intérieur et enclenchez-le pour le mettre en place.

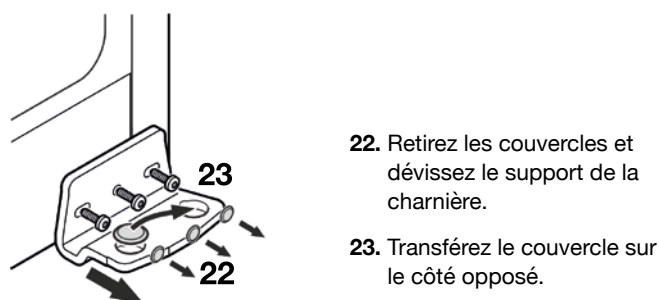


19. Desserrez le pied réglable à l'aide de la clé fournie.



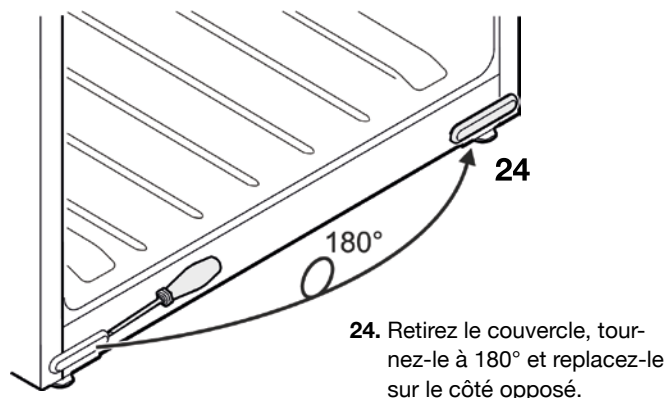
20. Tirez l'axe de la charnière vers le haut et dévissez-le du pied réglable.

21. Tirez vers le bas sur le pied réglable pour le retirer.



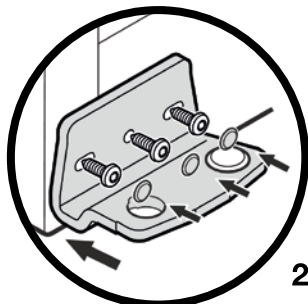
22. Retirez les couvercles et dévissez le support de la charnière.

23. Transférez le couvercle sur le côté opposé.

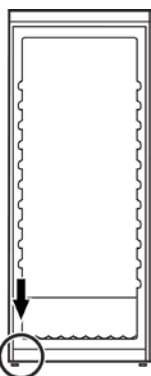


24. Retirez le couvercle, tournez-le à 180° et remplacez-le sur le côté opposé.

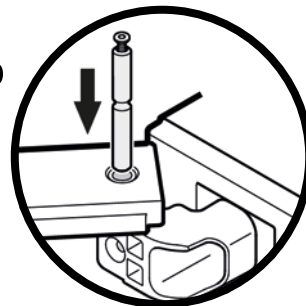
25. Vissez le support de la charnière, puis remettez les couvercles à vis en place.



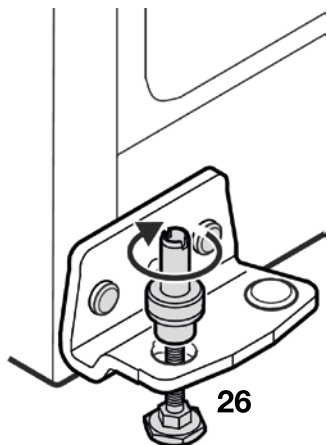
25



29

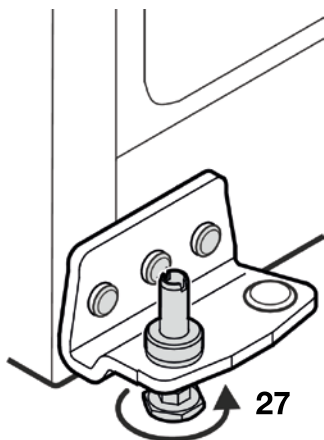


29. Insérez l'axe de la charnière.



26

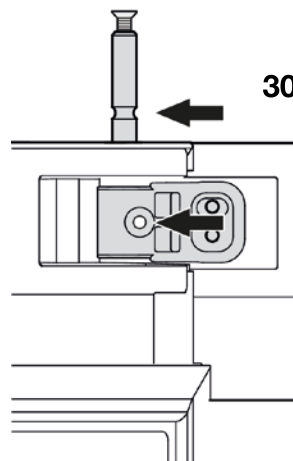
26. Ajustez le pied réglable par le dessous et attachez-y l'axe de la charnière.



27

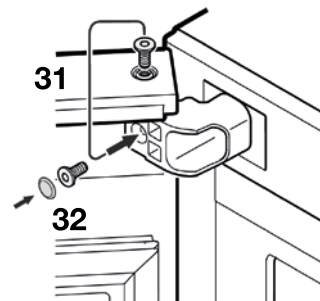
27. Insérez complètement l'axe dans le support de la charnière et resserrez fermement le pied réglable à la main.

Vue avant du support de charnière supérieur



30

30. Enfoncez l'axe de la charnière jusqu'à ce que la rainure de l'axe soit alignée avec le trou du support de la charnière.

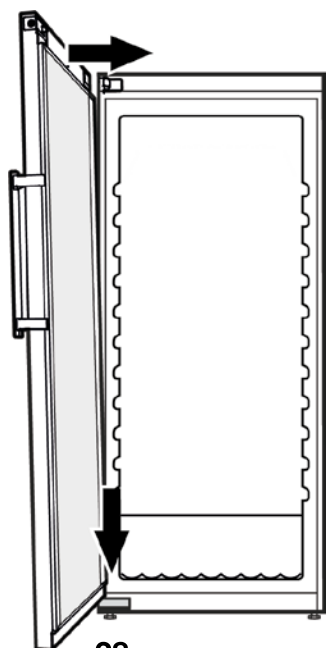


31

32

31. Retirez la vis de l'axe de la charnière et vissez-la dans le trou du support de la charnière.

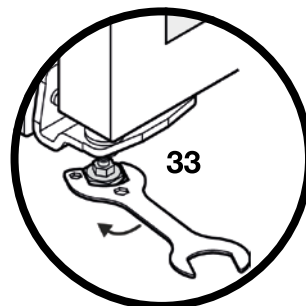
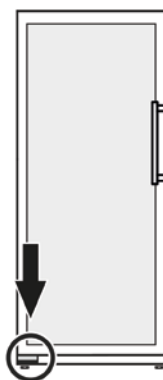
32. Fixez le couvercle du point 2. au-dessus de la vis.



28

28. Placez la porte sur l'axe et déplacez le haut de la porte vers le support de la charnière.

Important
Pour des raisons de sécurité, la porte doit désormais être maintenue par une seconde personne.

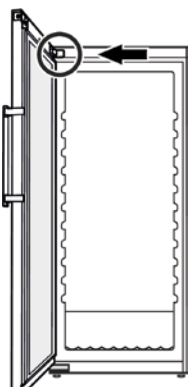


33

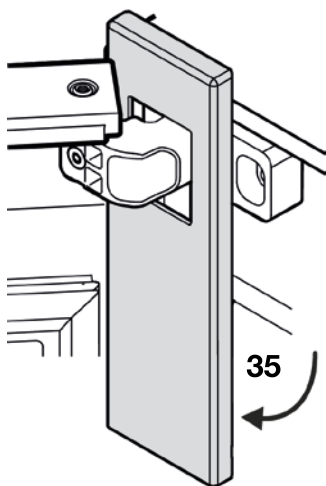
33. Placez l'appareil à son emplacement final sur le lieu d'installation. Allongez le pied réglable sous le support de la charnière jusqu'à ce qu'il repose sur le sol et tournez-le encore de 90°.

Ajuster l'inclinaison latérale de la porte

Si la porte est de biais, ajustez l'angle.

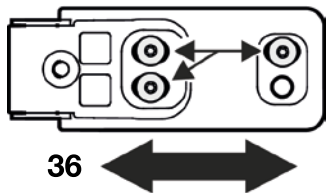


34. Libérez le couvercle à l'intérieur et glissez-le vers l'extérieur.



35. Tournez le couvercle vers l'arrière.

Vue avant du support de charnière supérieur



36. Desserrez légèrement les vis et faites glisser le support de la charnière vers la droite ou la gauche. Resserrez fermement les vis. Remettez en place le couvercle en suivant les instructions ci-dessus dans l'ordre inverse. Fermez la porte et vérifiez qu'elle est alignée avec les parois latérales de l'appareil.



FOR SERVICE IN THE USA

Telephone: +1-844-7DR-YAGE (+1-844-737-9243)

E-Mail: service-usa@dry-ager.com

POUR LA MAINTENANCE AUX ÉTATS-UNIS

Téléphone : +1-844-7DR-YAGE (+1-844-737-9243)

E-mail : service-usa@dry-ager.com



FOR SERVICE IN CANADA

Telephone: +1-844-7DR-YAGE (+1-844-737-9243)

E-Mail: service-canada@dry-ager.com

POUR LA MAINTENANCE AU CANADA

Téléphone : +1-844-7DR-YAGE (+1-844-737-9243)

E-mail : service-canada@dry-ager.com



EST. 2014

DRY AGER

BUILT FOR BEEF



www.facebook.com/thedryager



twitter.com/Dry_Ager



www.instagram.com/dryager



my.dry-ager.com