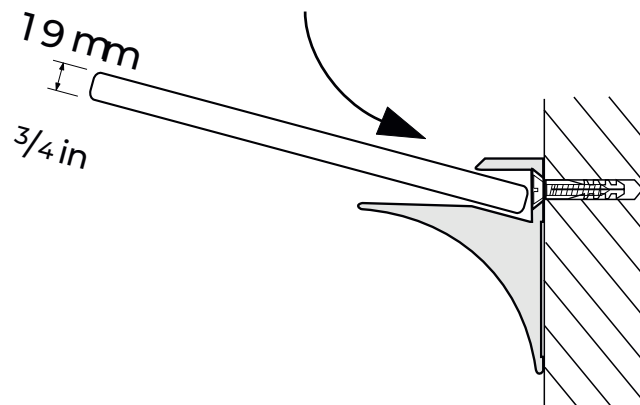
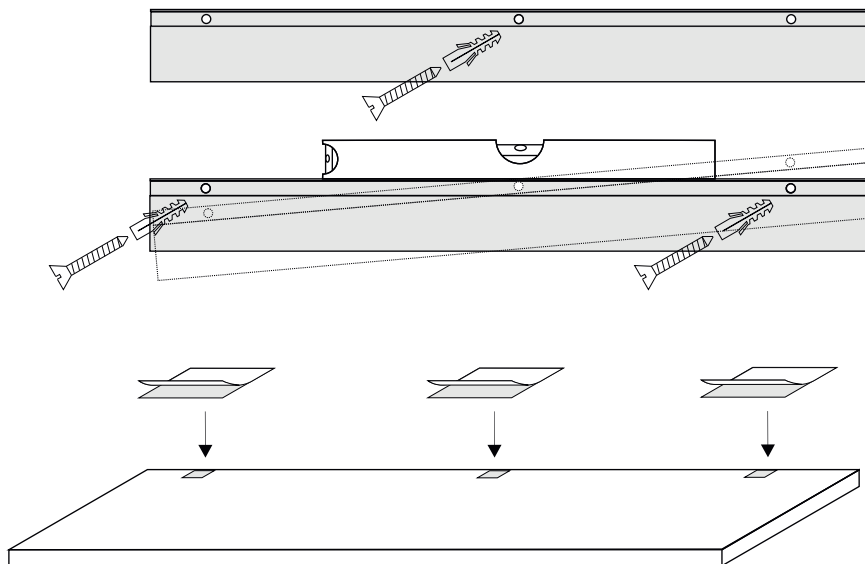


DIN EN
16337

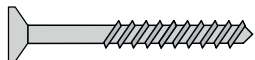


-50%

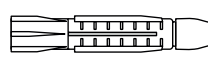
T 20



ø4.5x50 mm
#10x2 in



ø6x36 mm
#8-10x1.4 in



ø6 mm
15/64 in

