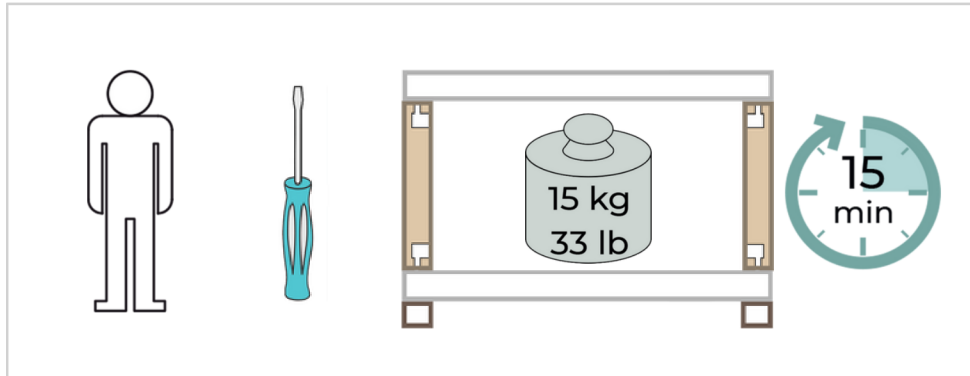
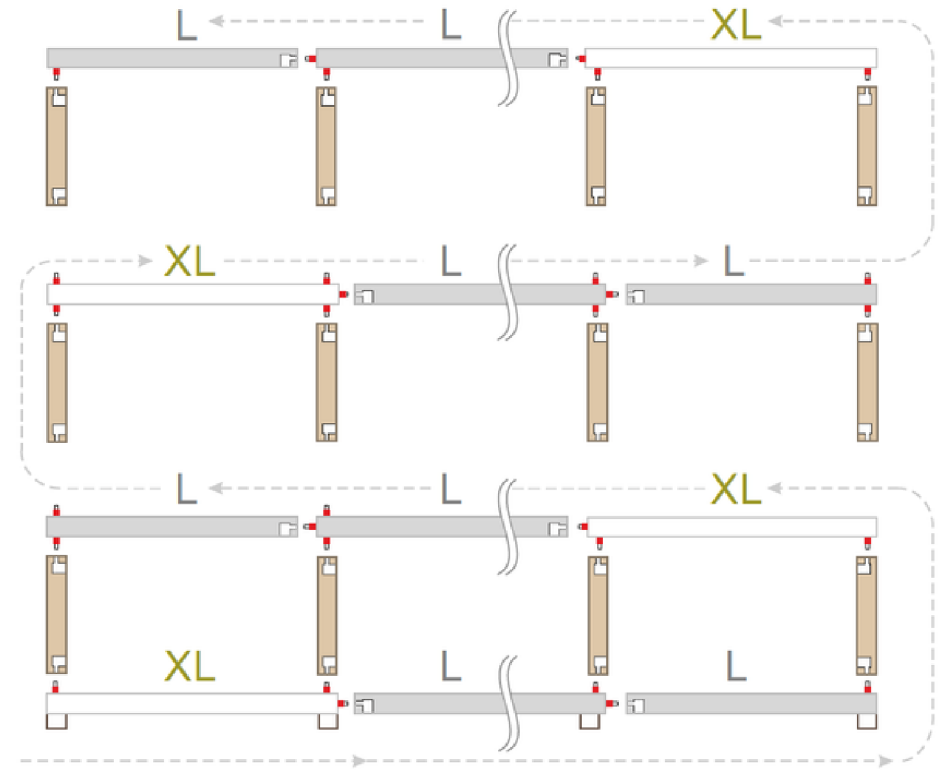
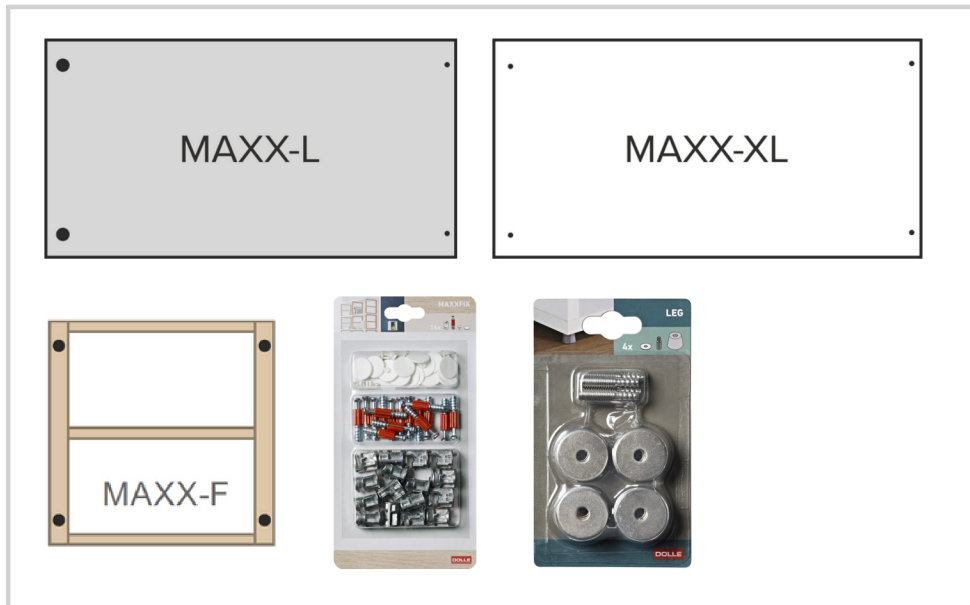


TOOLS

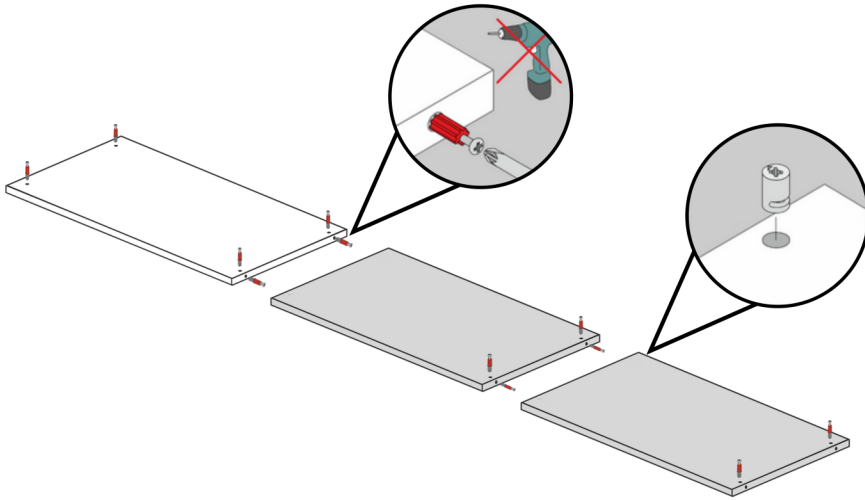


MATERIALS

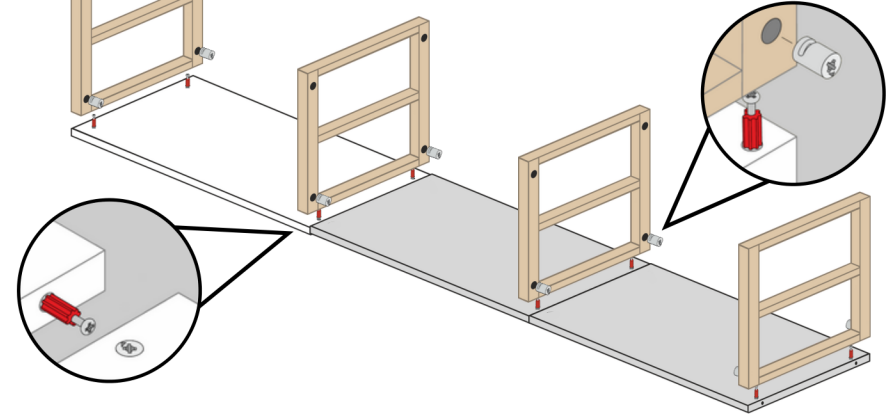


BUILD THE BOTTOM ROW

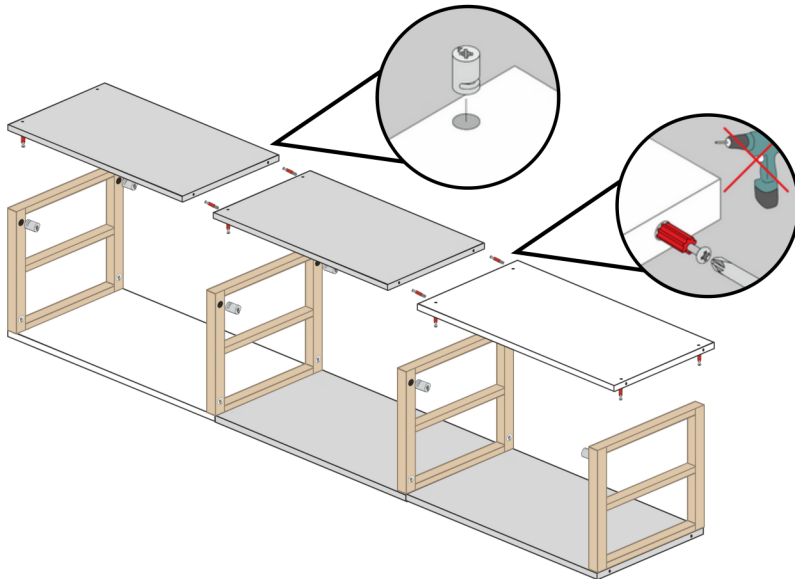
1.



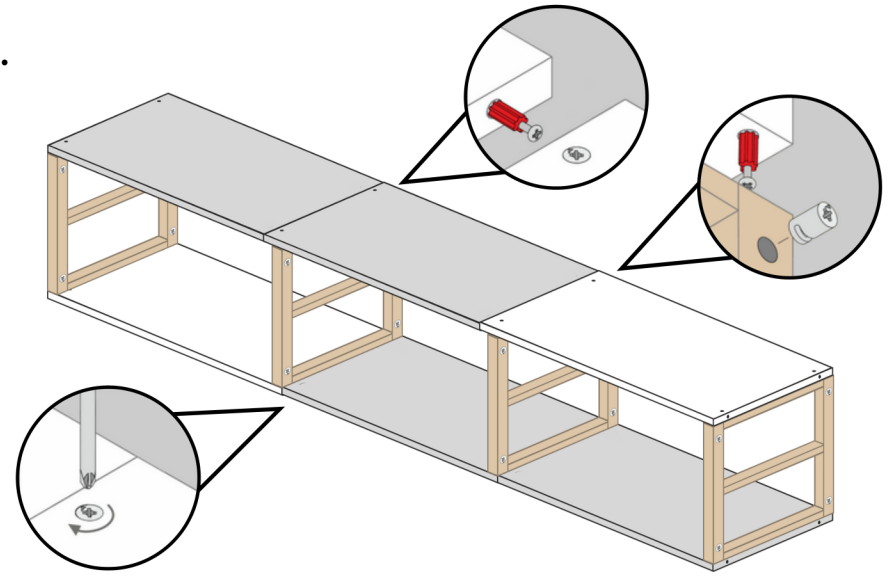
2.



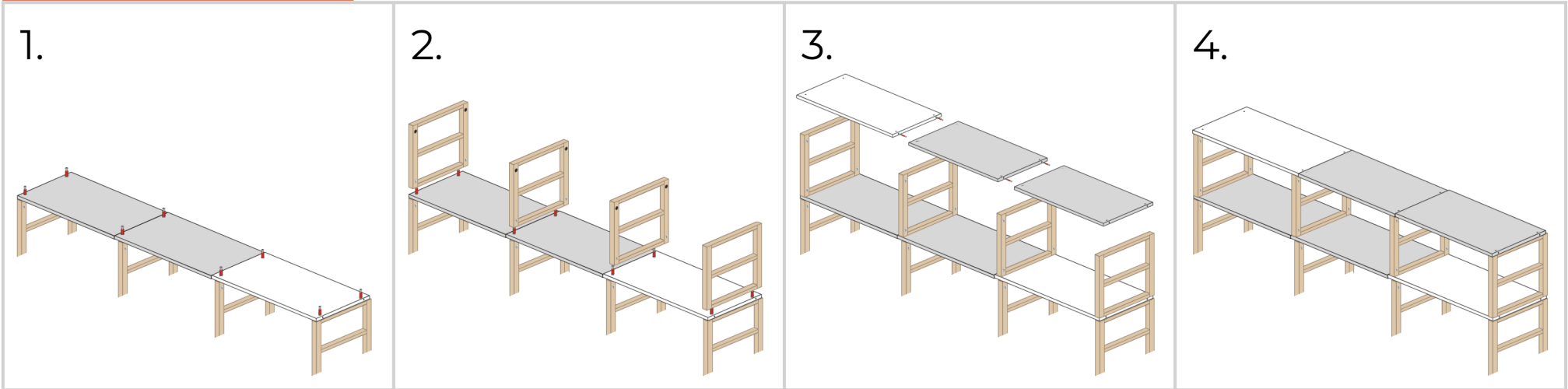
3.



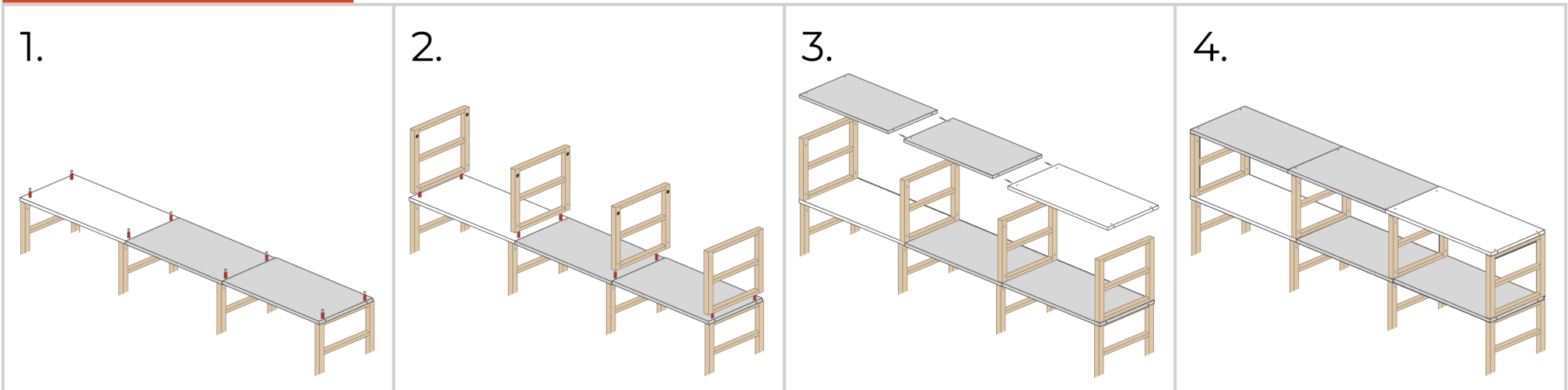
4.



BUILDING EVEN ROWS

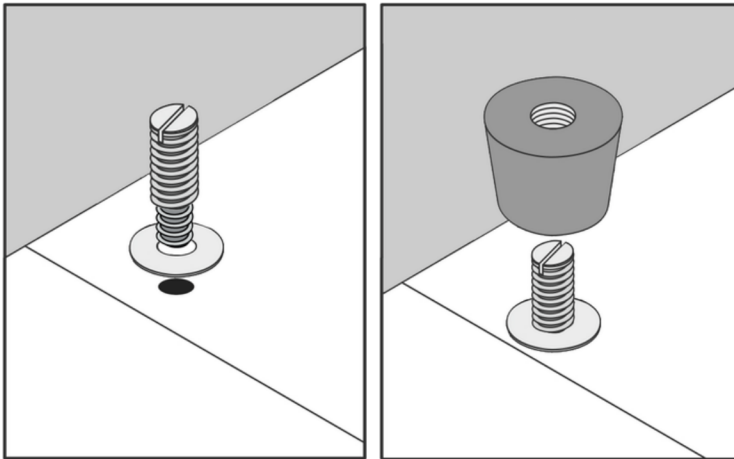


BUILDING ODD ROWS

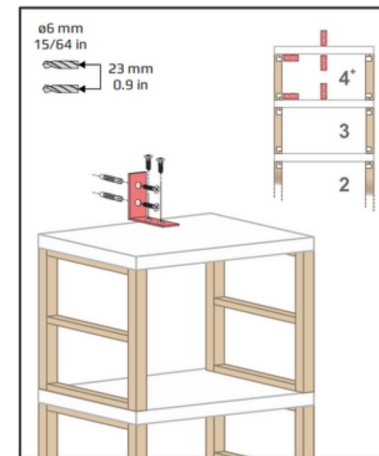


ACCESSORIES

FEET



TILT PREVENTION



SCREW COVERS

