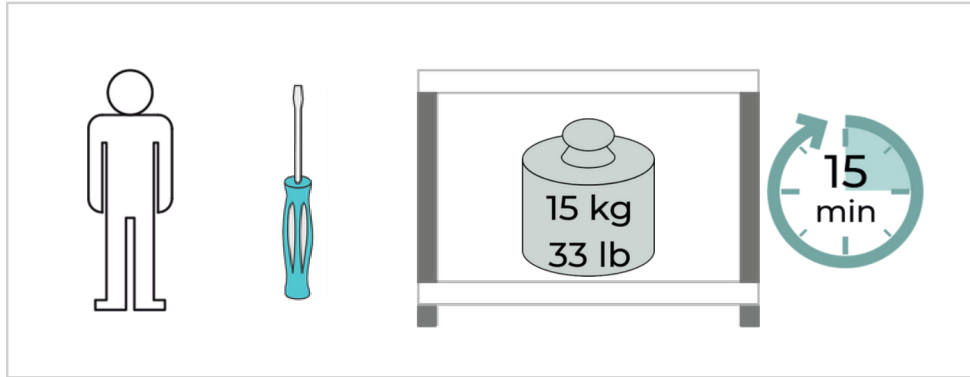
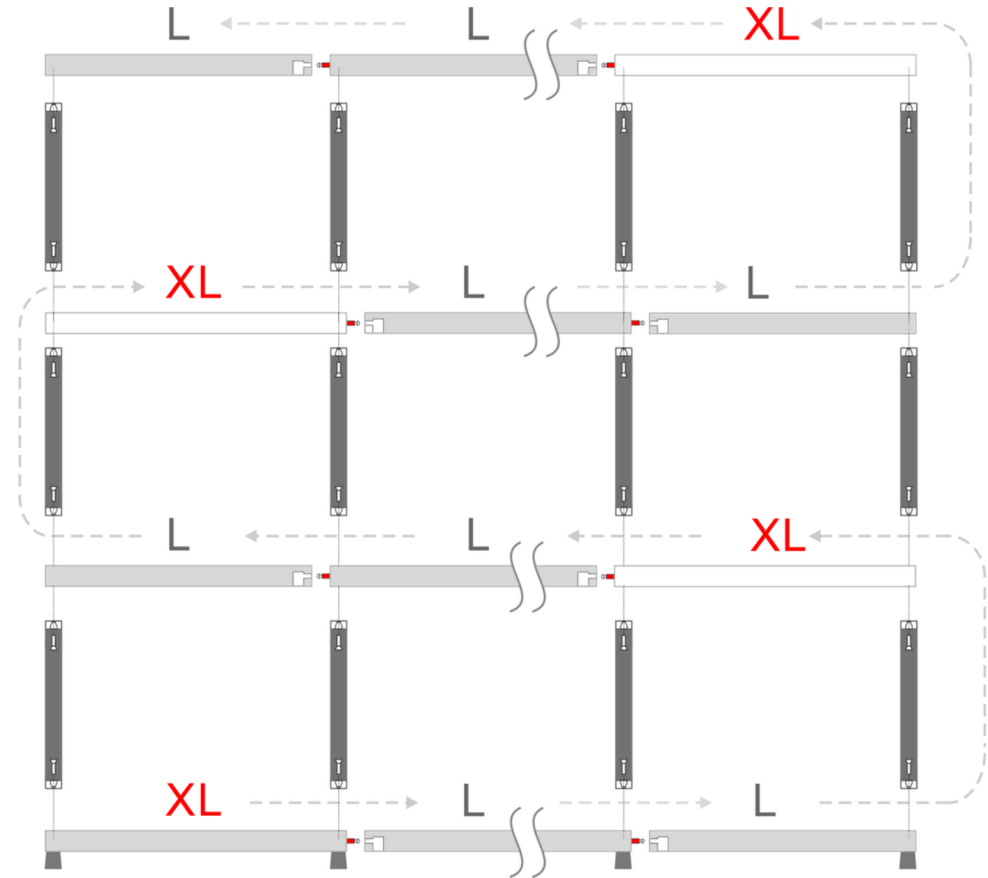
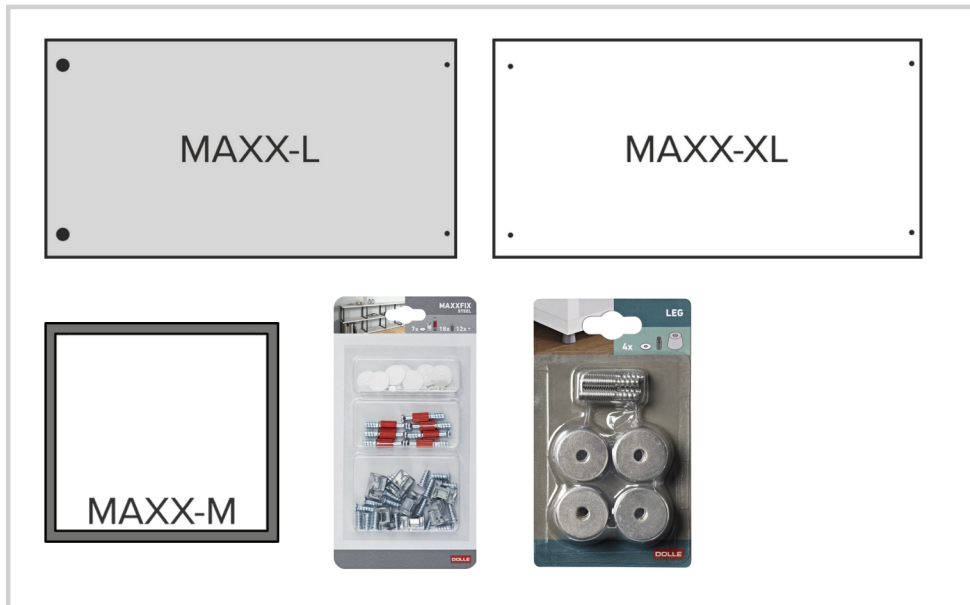


### TOOLS

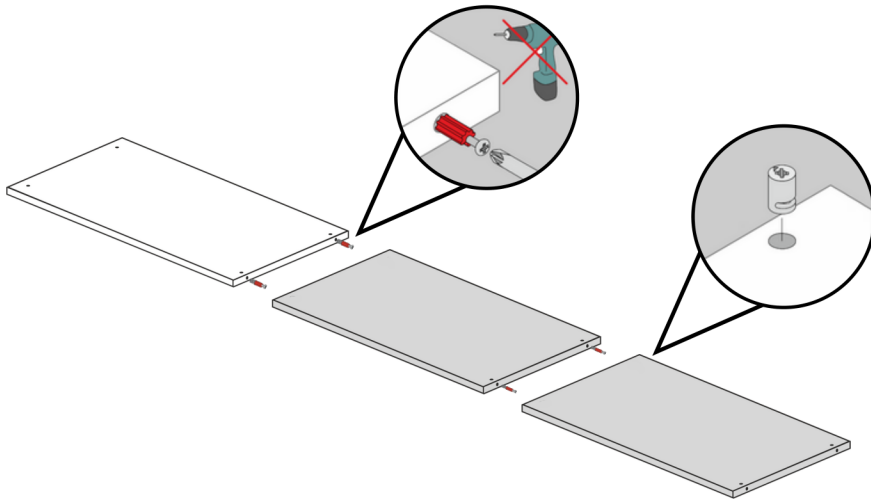


### MATERIALS

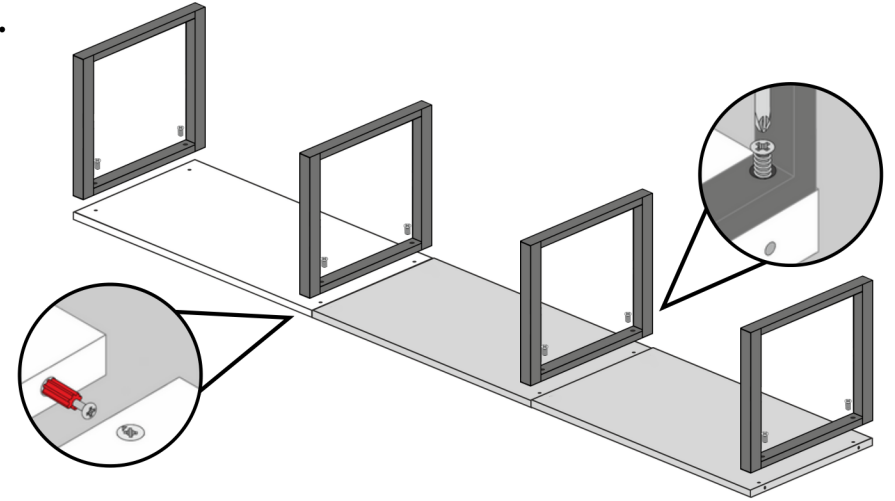


## BUILD THE BOTTOM ROW

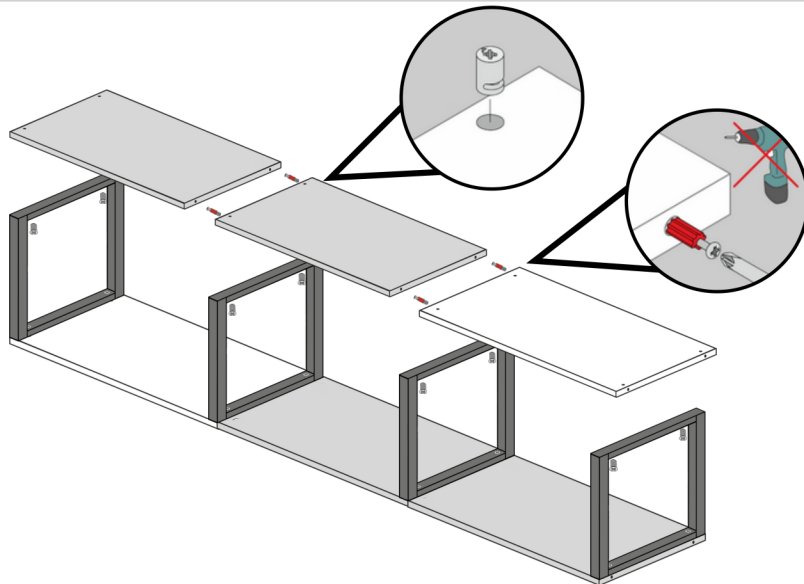
1.



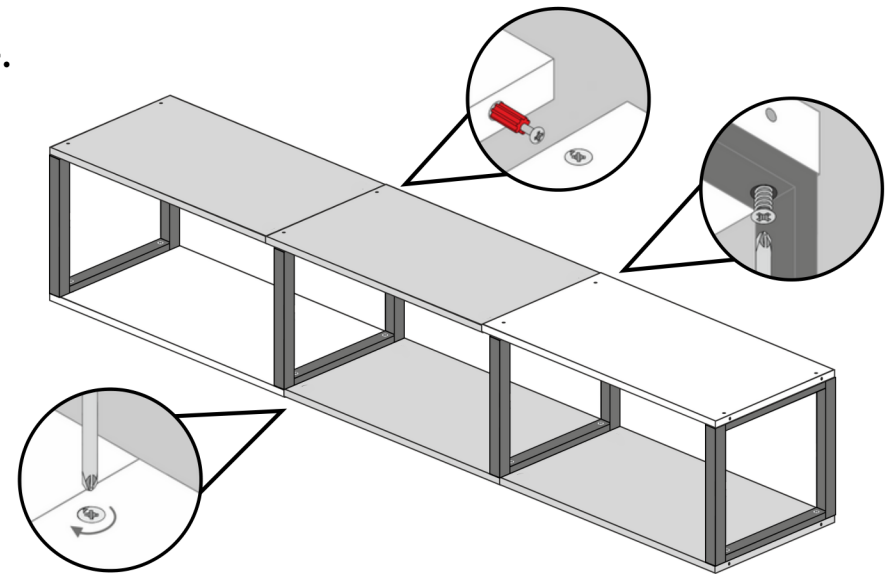
2.



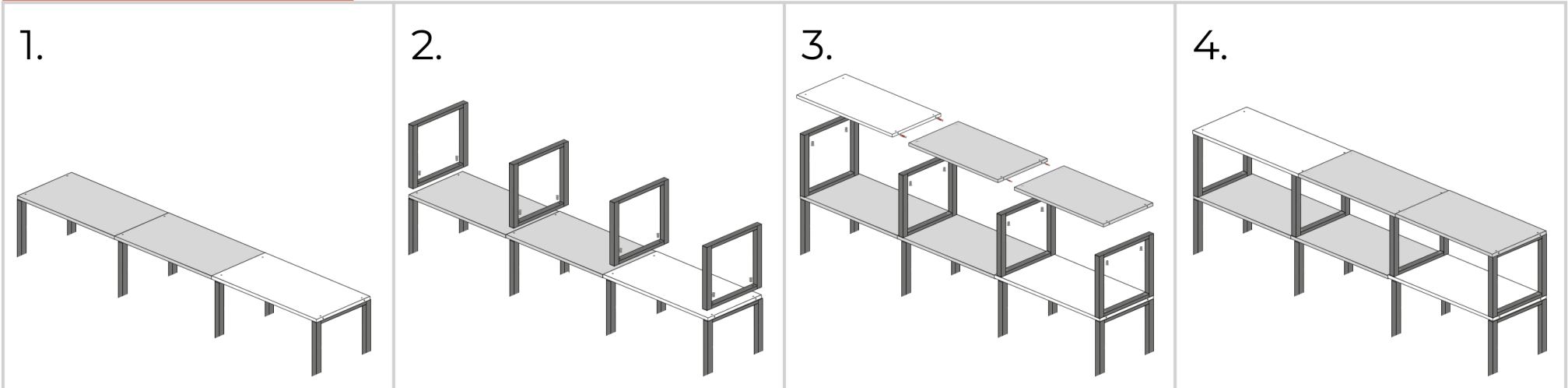
3.



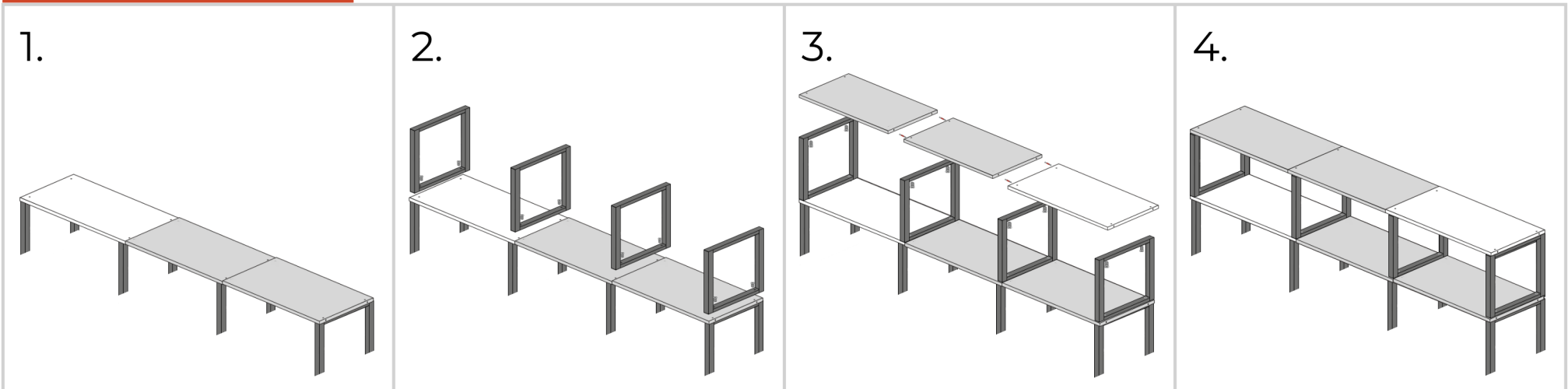
4.



## BUILDING EVEN ROWS

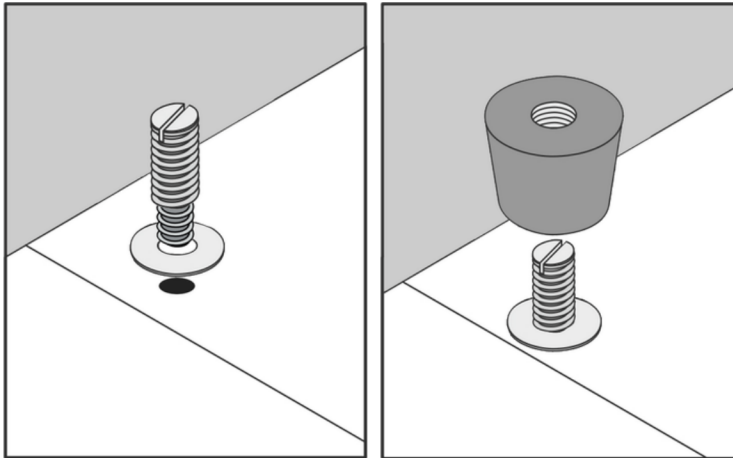


## BUILDING ODD ROWS

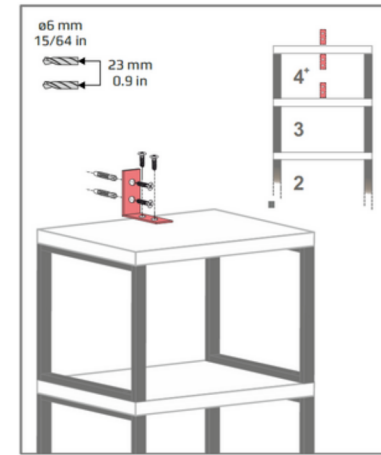


## ACCESSORIES

### FEET



### TILT PREVENTION



### SCREW COVERS

