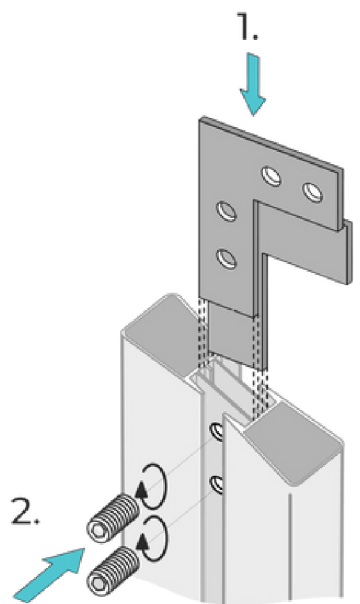


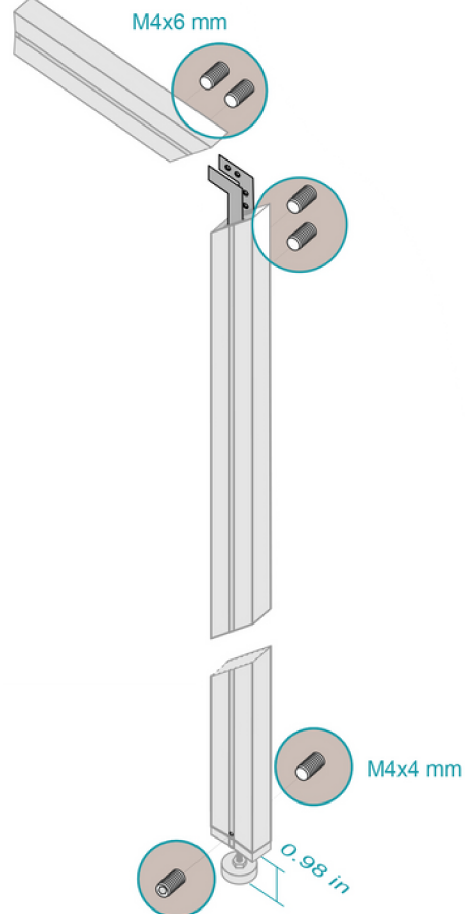
INSTALL THE WALL POST

1.



M4x4 mm

2.

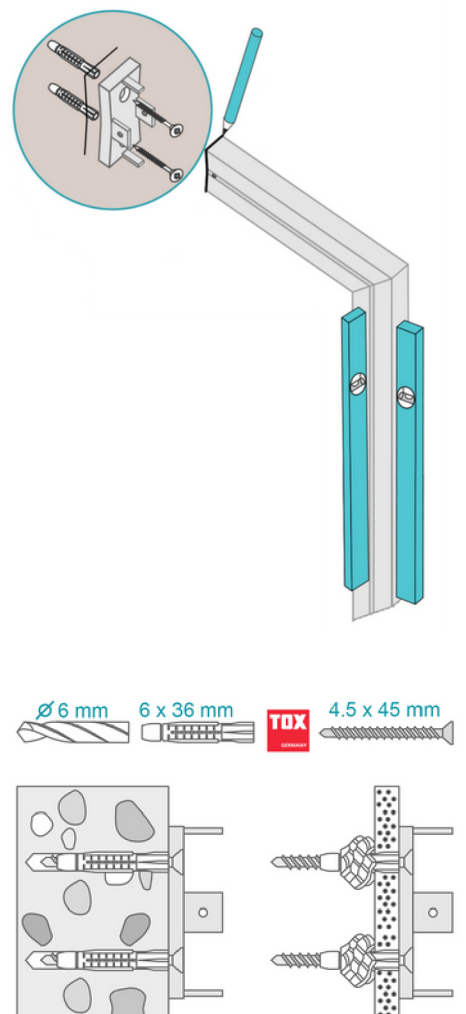


M4x6 mm

M4x4 mm

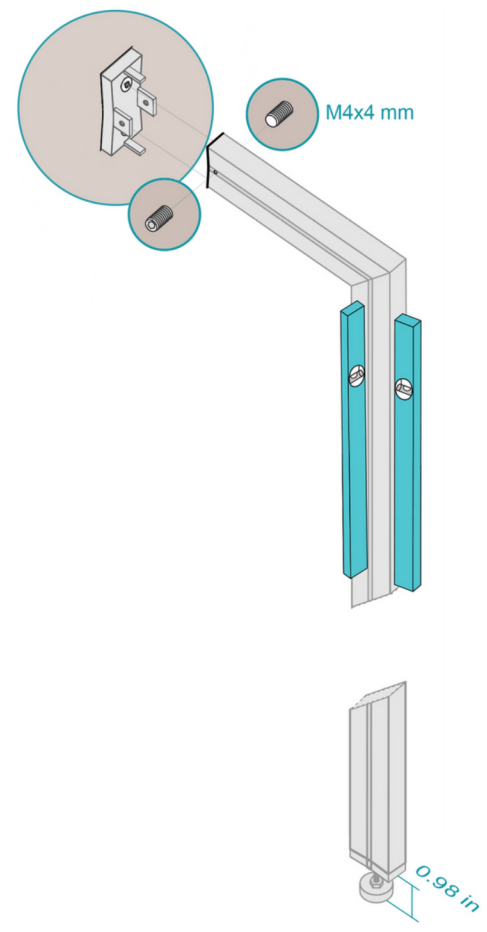
0.98 in

3.



∅ 6 mm 6 x 36 mm TDX 4.5 x 45 mm

4.



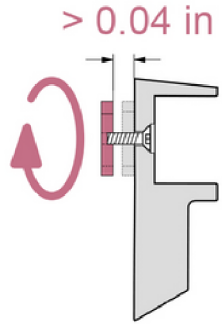
M4x4 mm

0.98 in

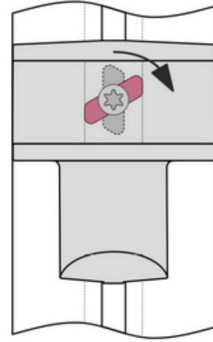
*Refer to page 1 for measurements

INSTALLING SHELVES

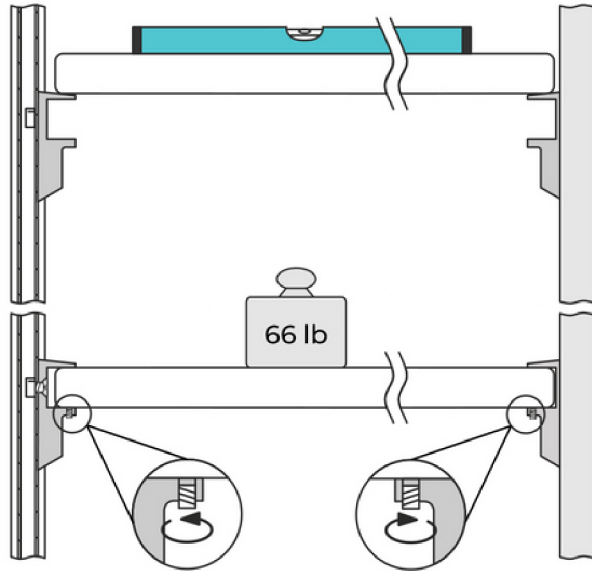
1.



2.



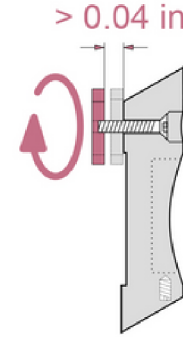
3.



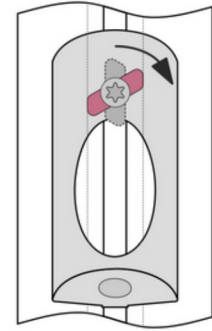
*Refer to page 1 for measurements

INSTALLING HANGING RAILS

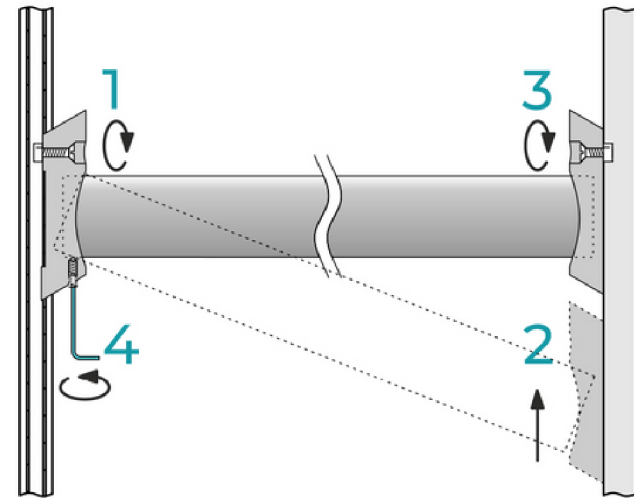
1.



2.



3.

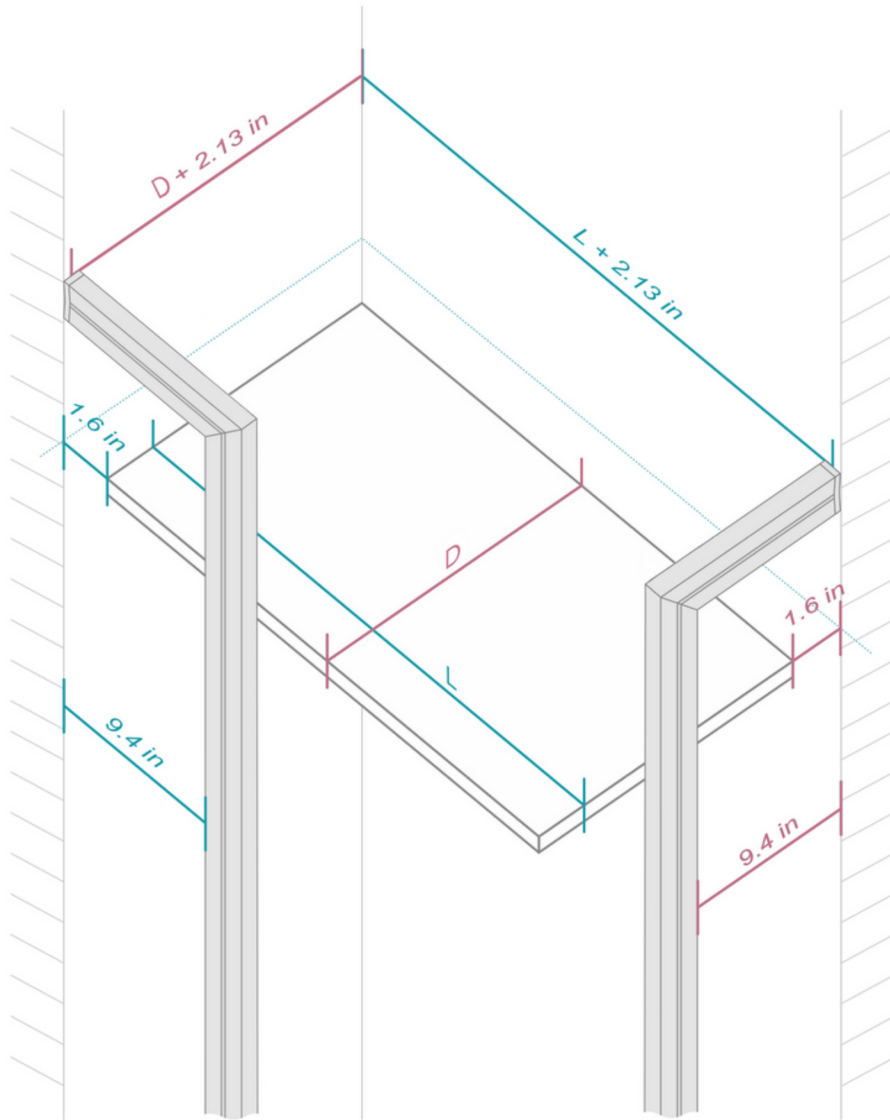


*Refer to page 1 for measurements

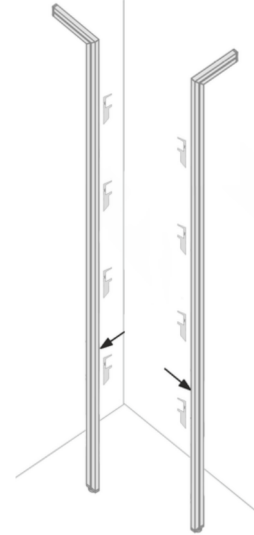
See separate assembly guide for drawer component instructions.

INSTALLING A CORNER UNIT

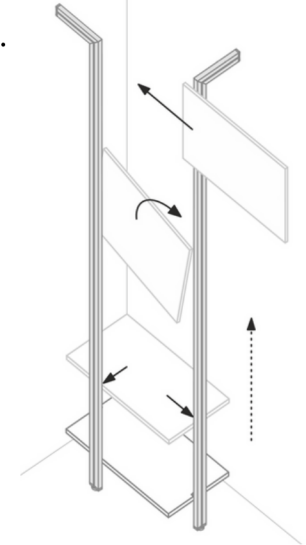
1.



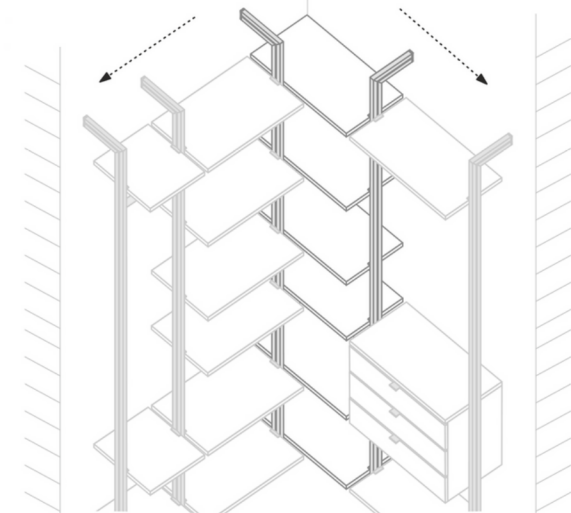
2.



3.



4.



*Refer to page 1 for measurements