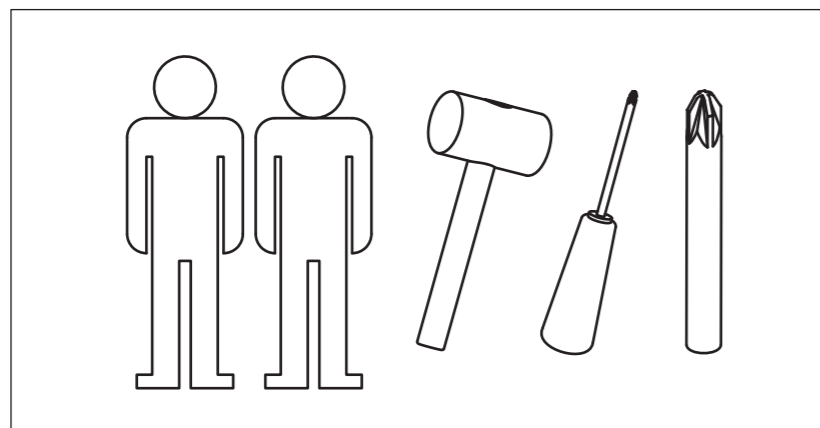

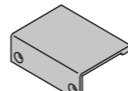


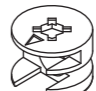
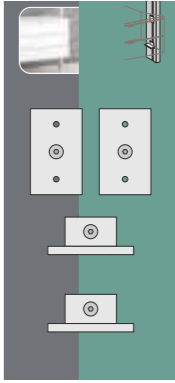
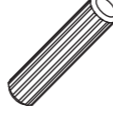
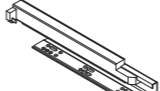
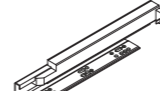
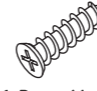



- (A) Sides of Drawers
- (D2) Side Panel 2
- (B) Drawer Front
- (E) Top Surface
- (C) Bottom of Drawer
- (F) Bottom Panel
- (D1) Side Panel 1
- (G) Back Panel

## TOOLS

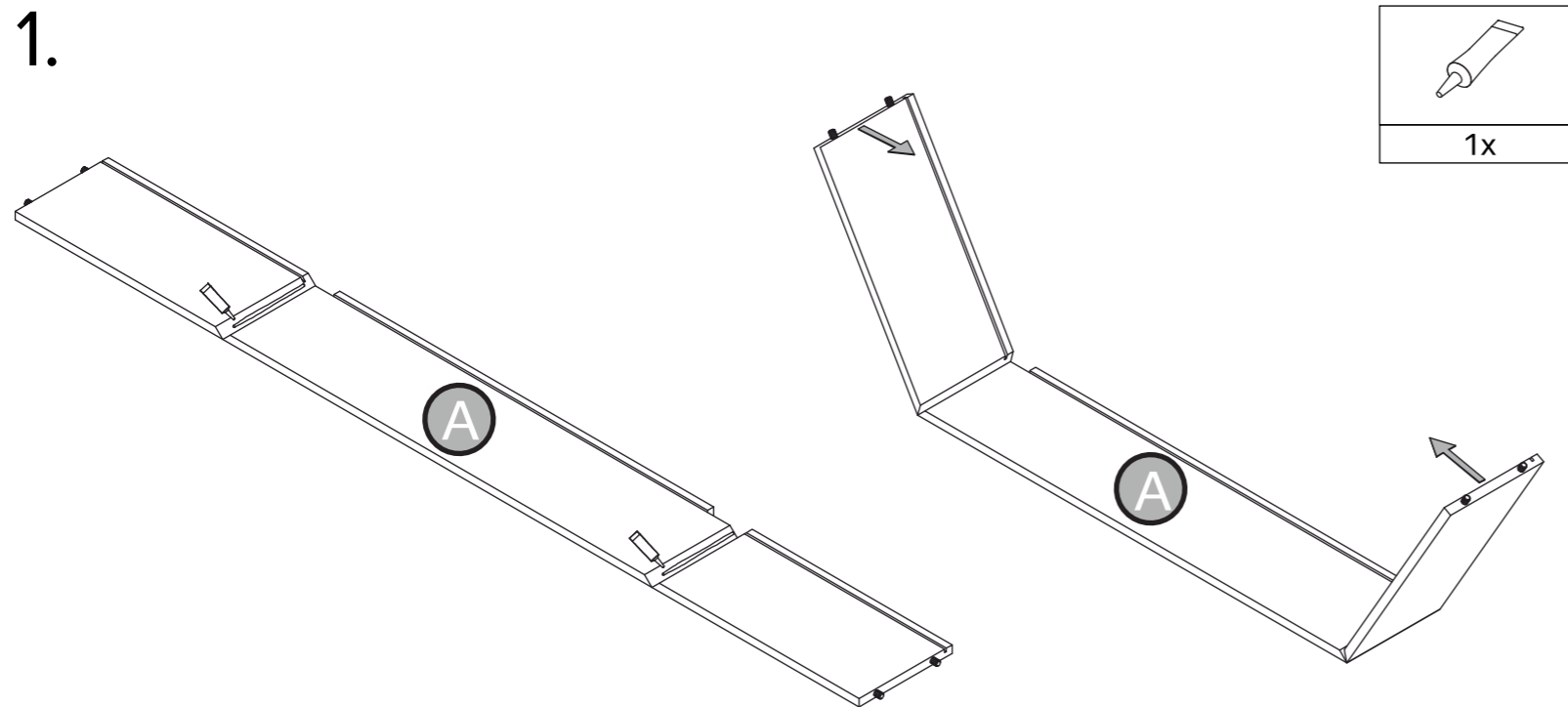


## MATERIALS

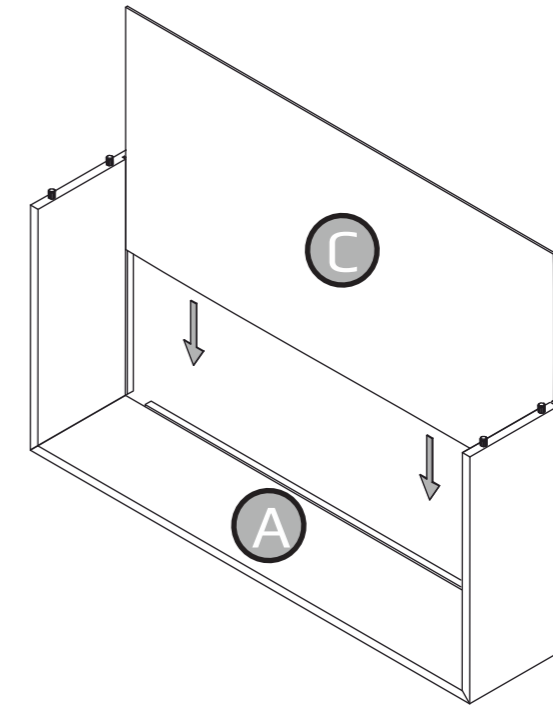
		 3,0 x 12			
1x	3x	6x	8x	8x	
			 6,3 x 11		
8x	3x	3x	12x	4x	

## ASSEMBLE THE DRAWER

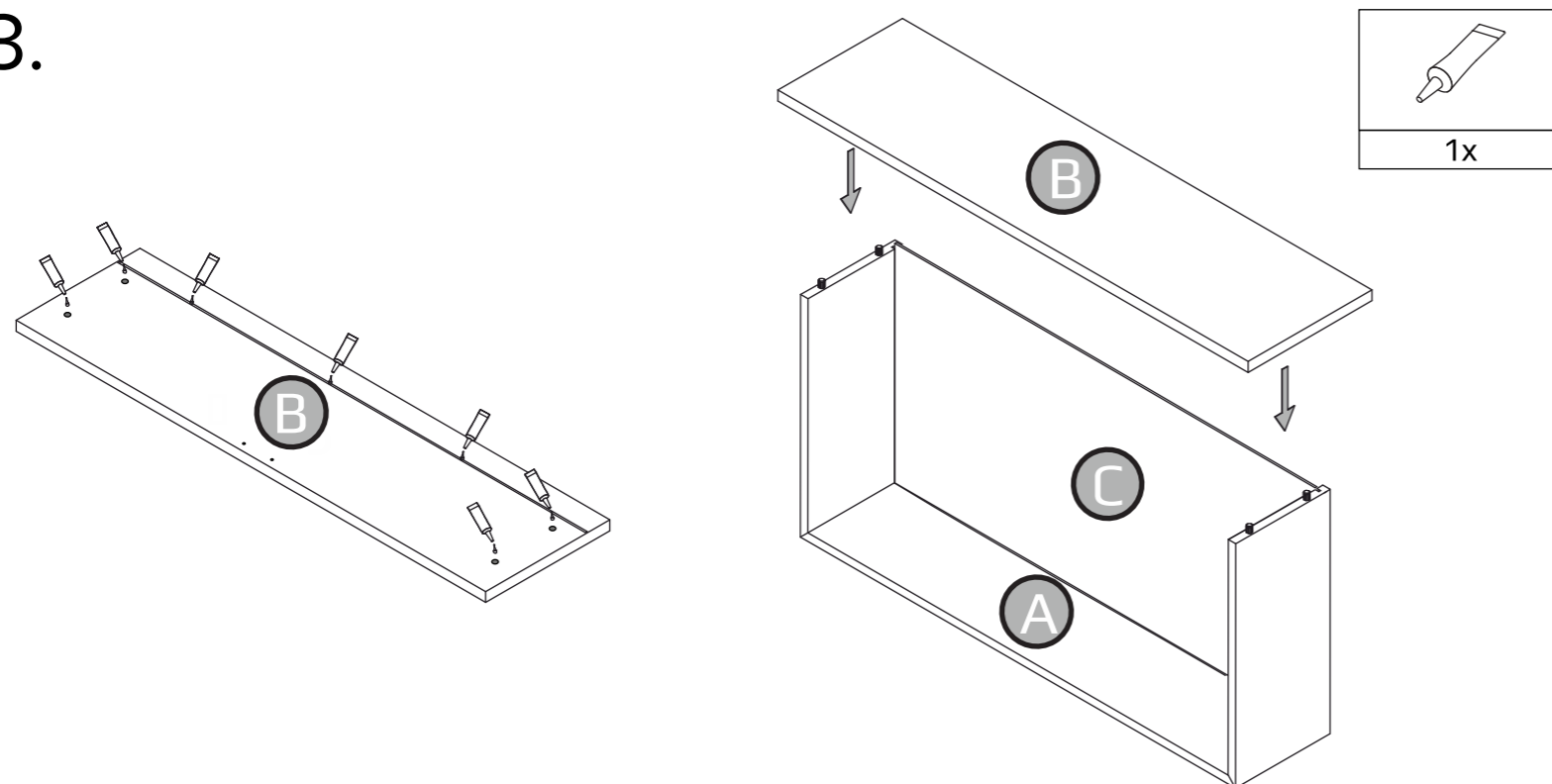
1.



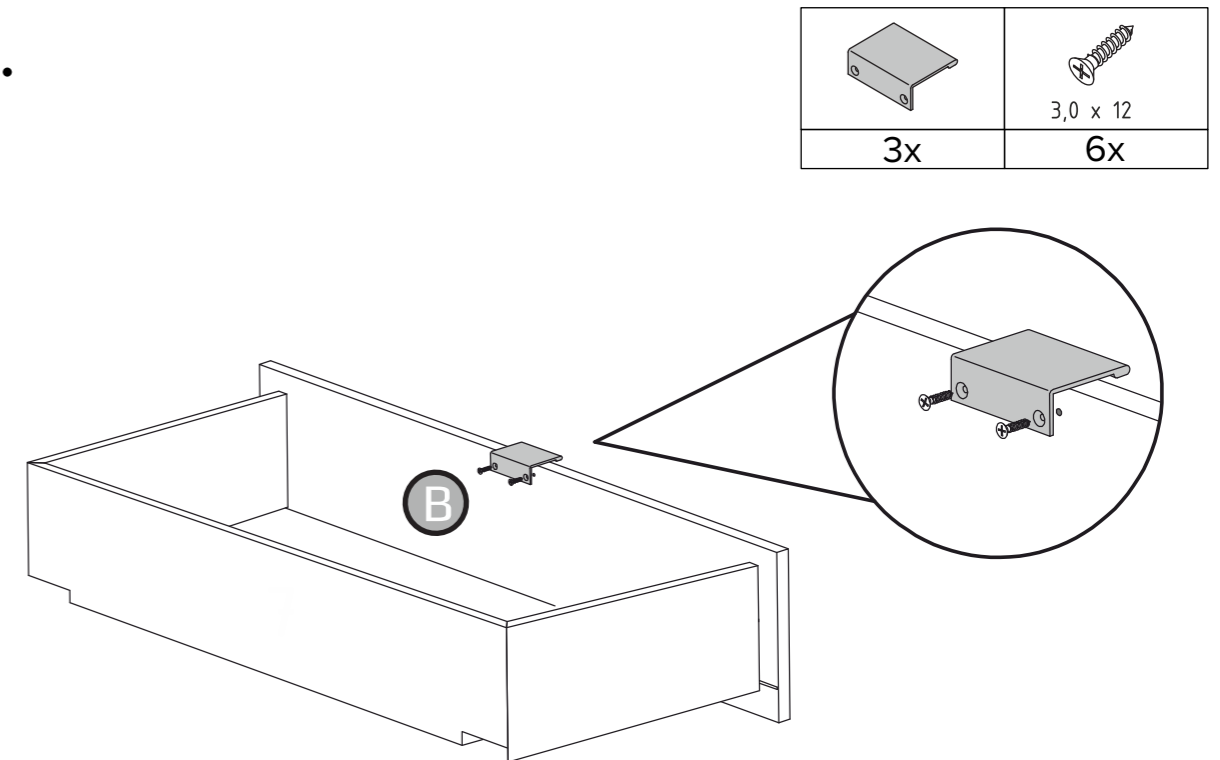
2.



3.

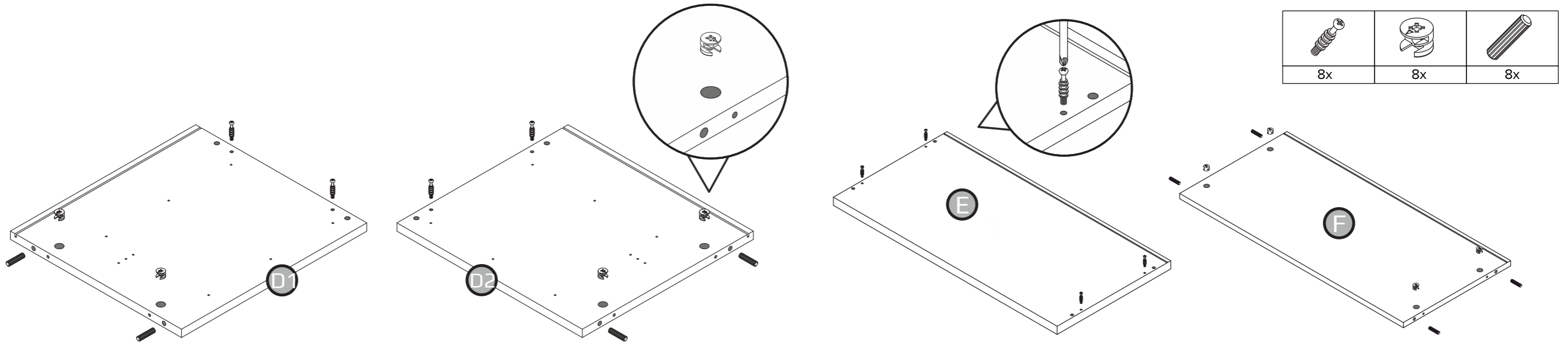


4.

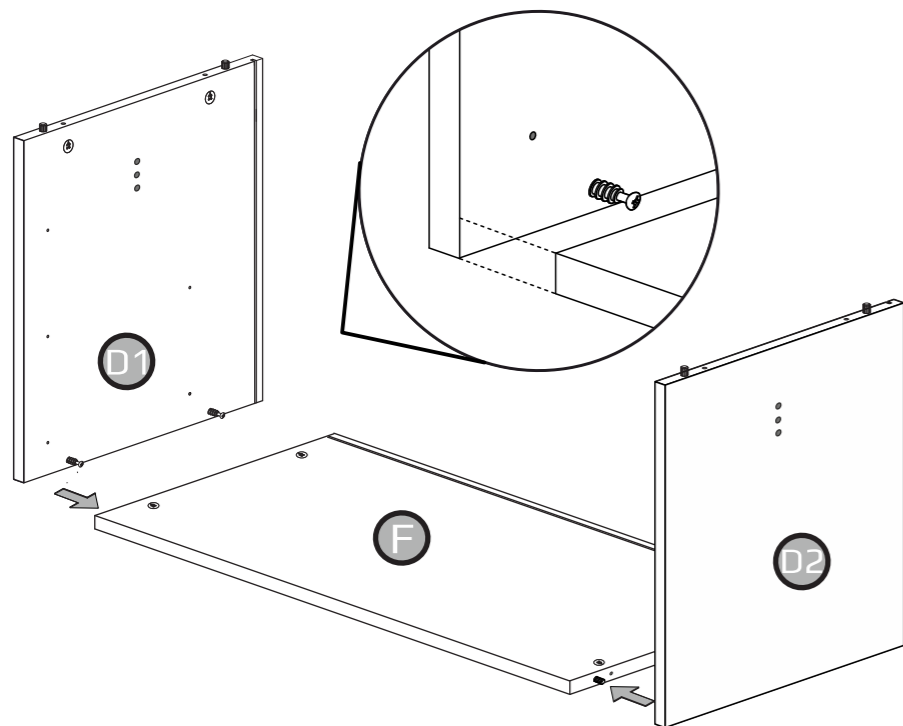


## ASSEMBLE THE FRAME

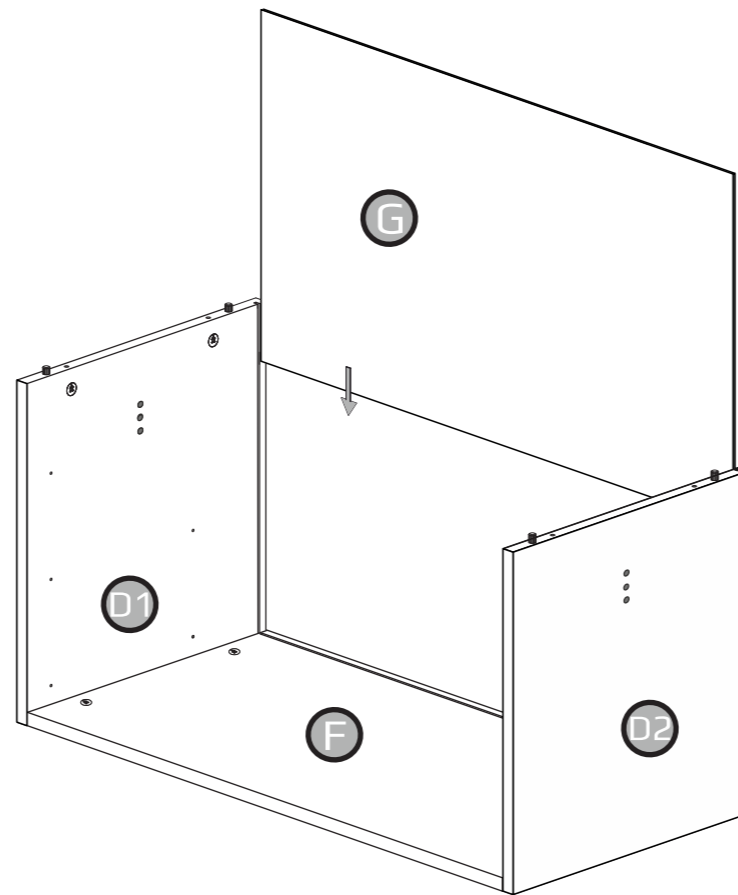
1.



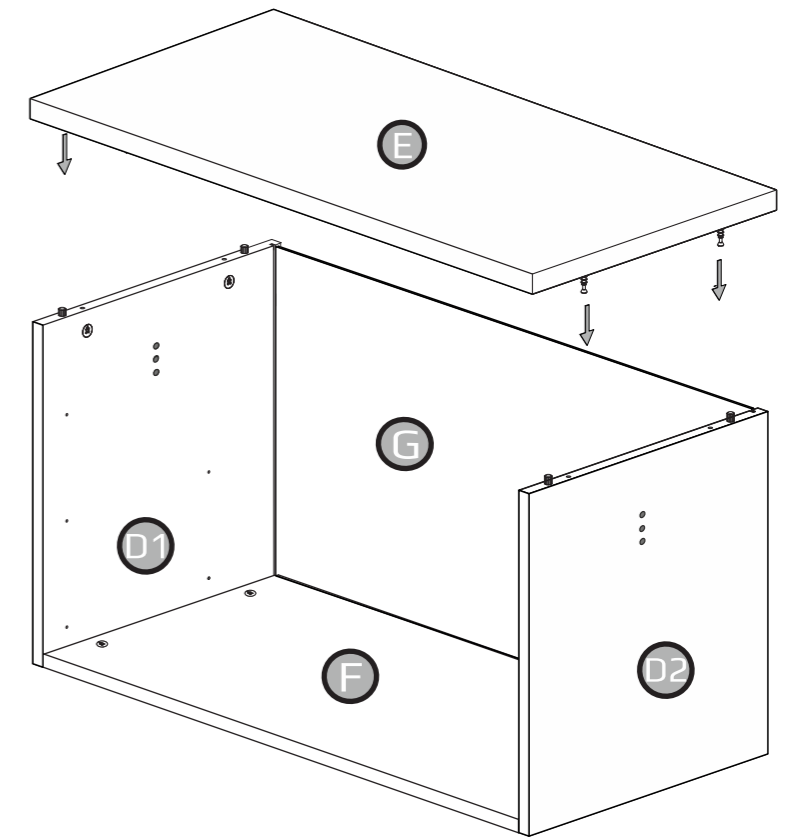
2.



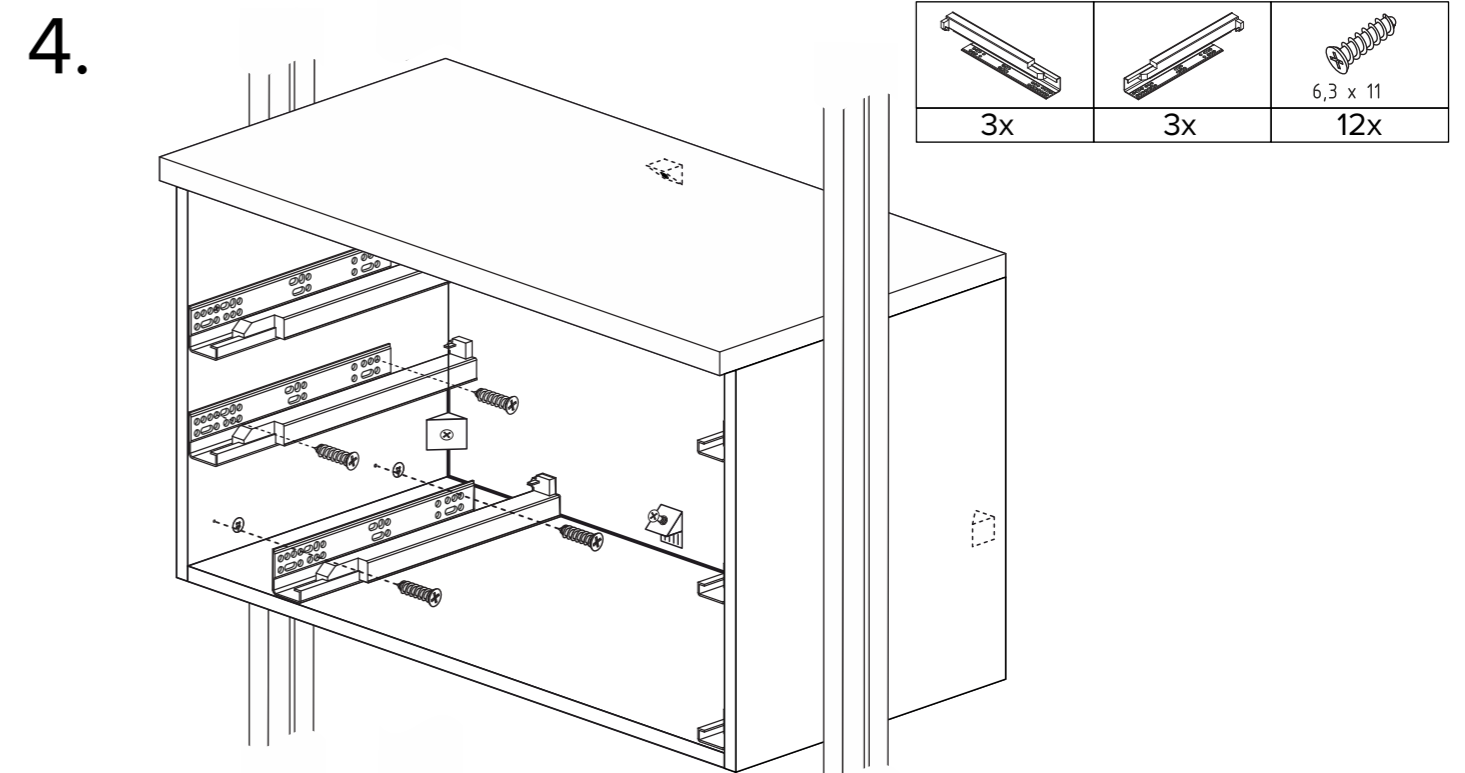
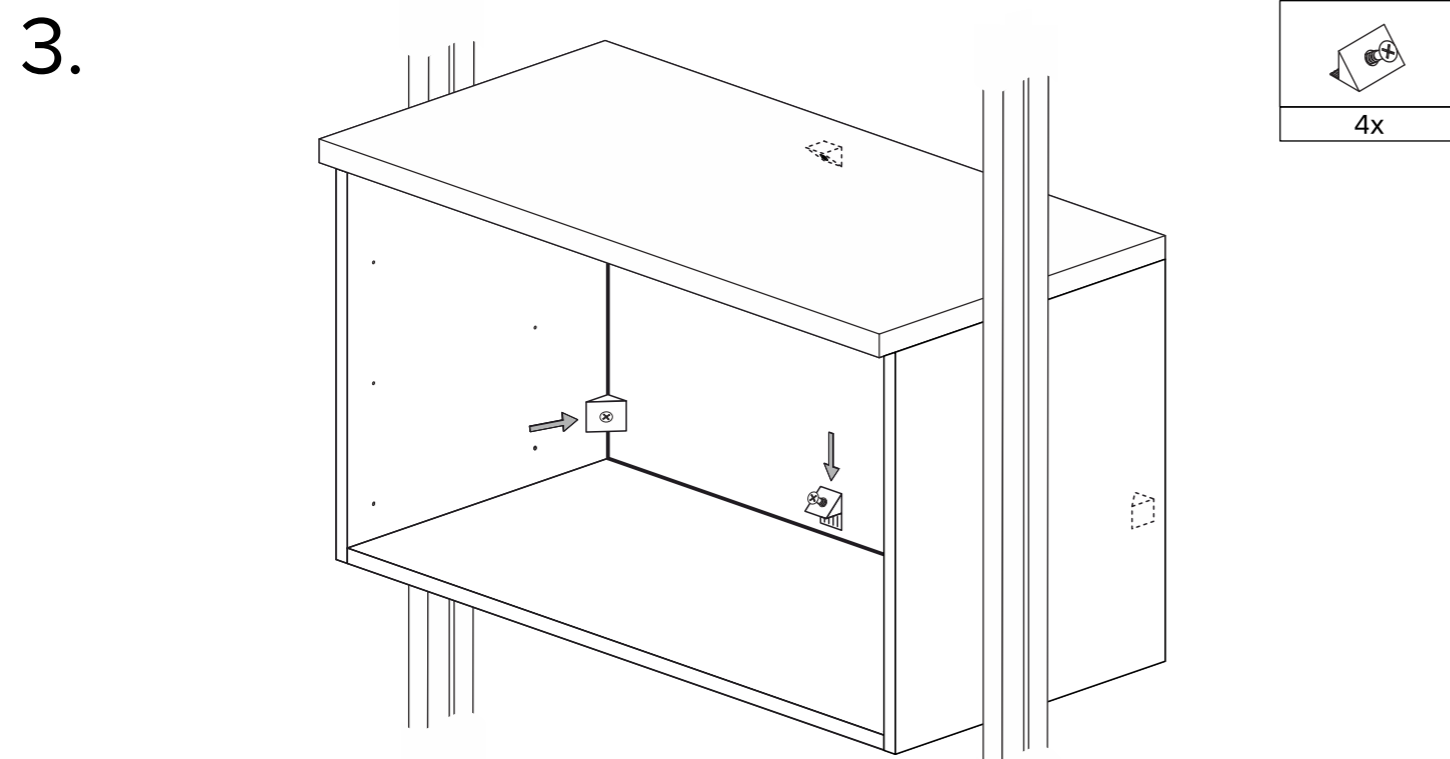
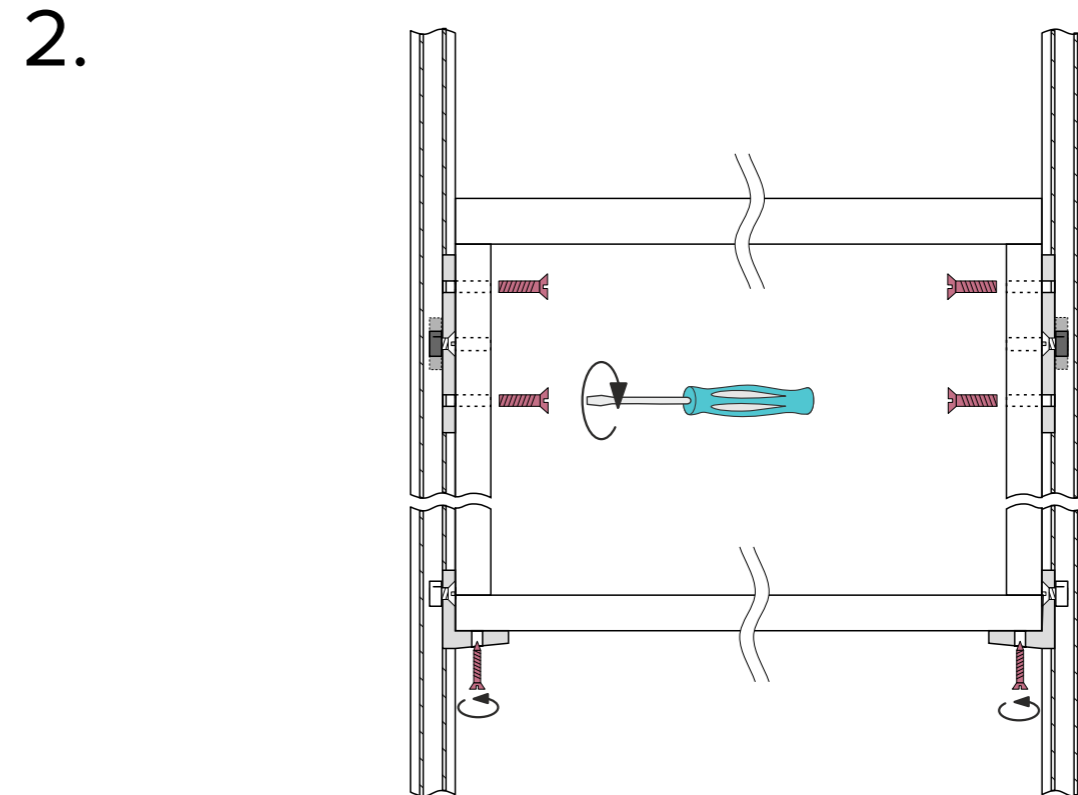
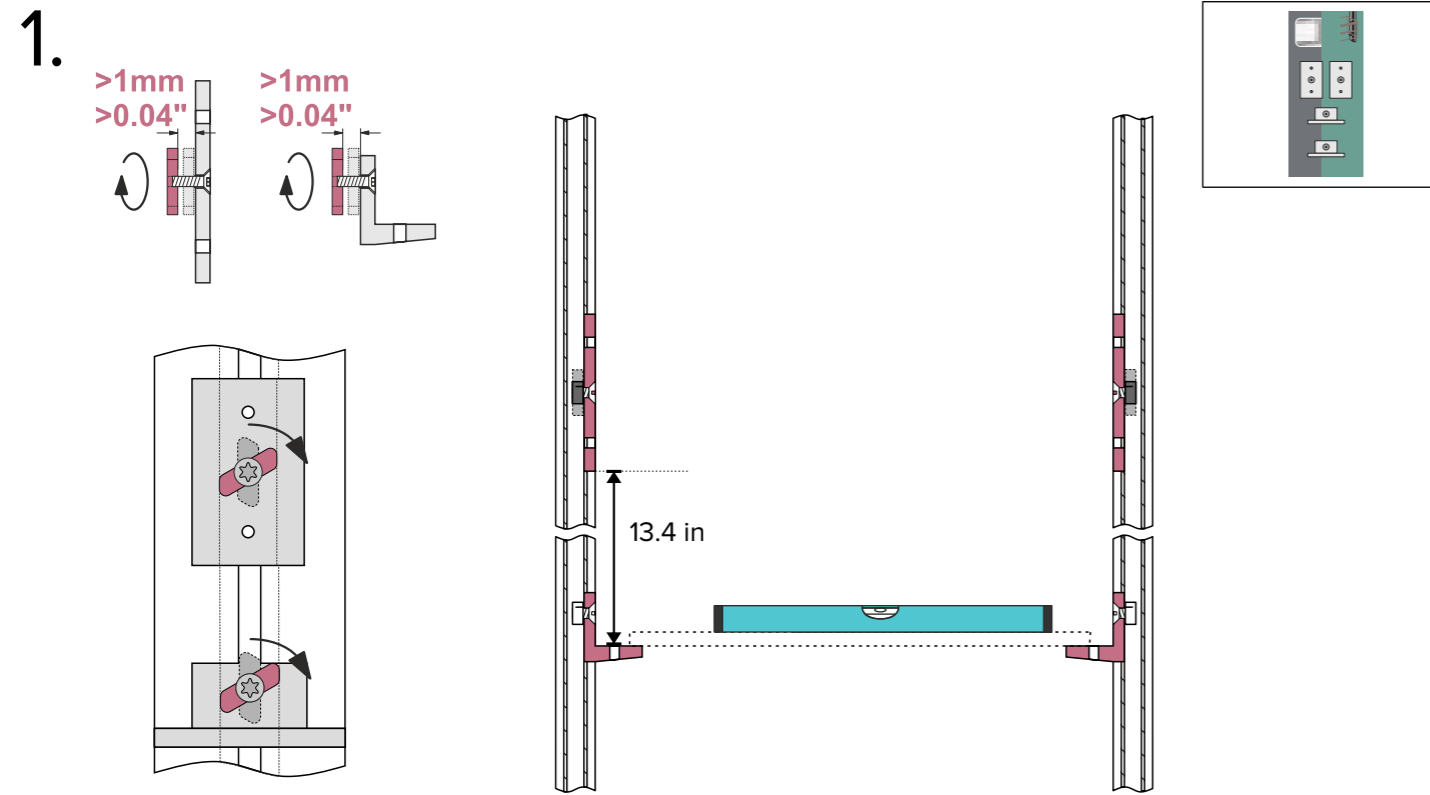
3.



4.

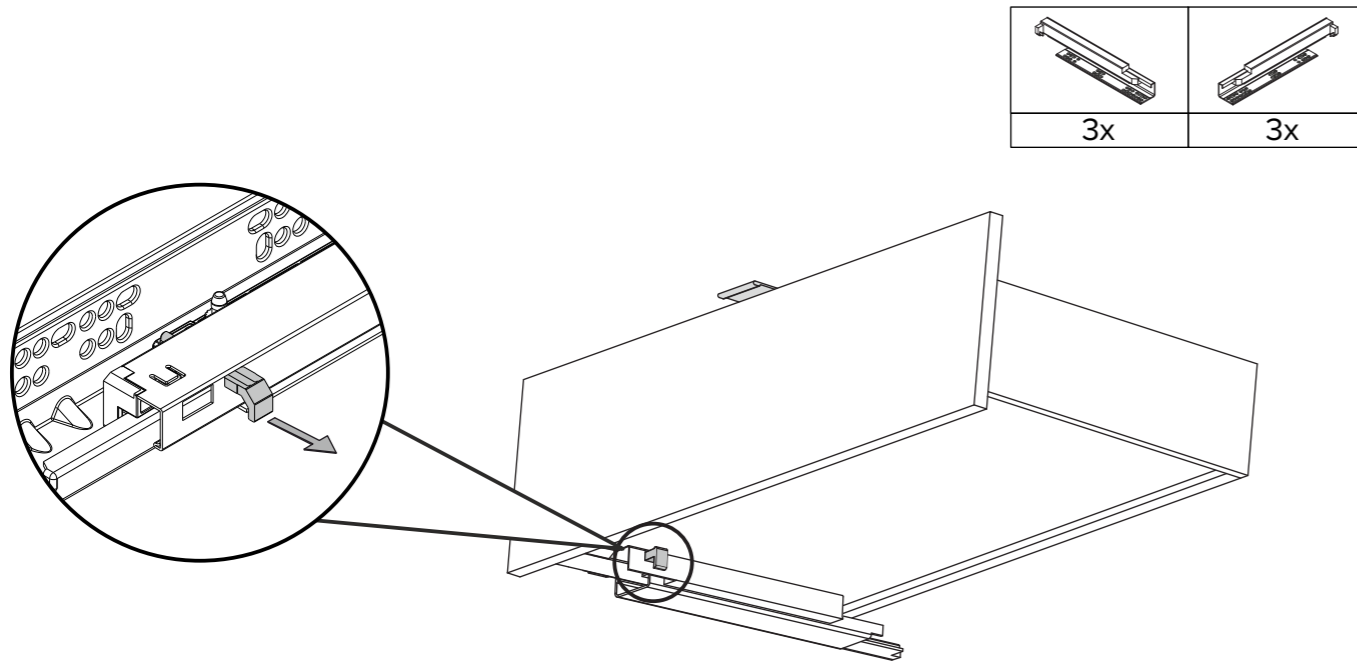


## INSTALL THE FRAME

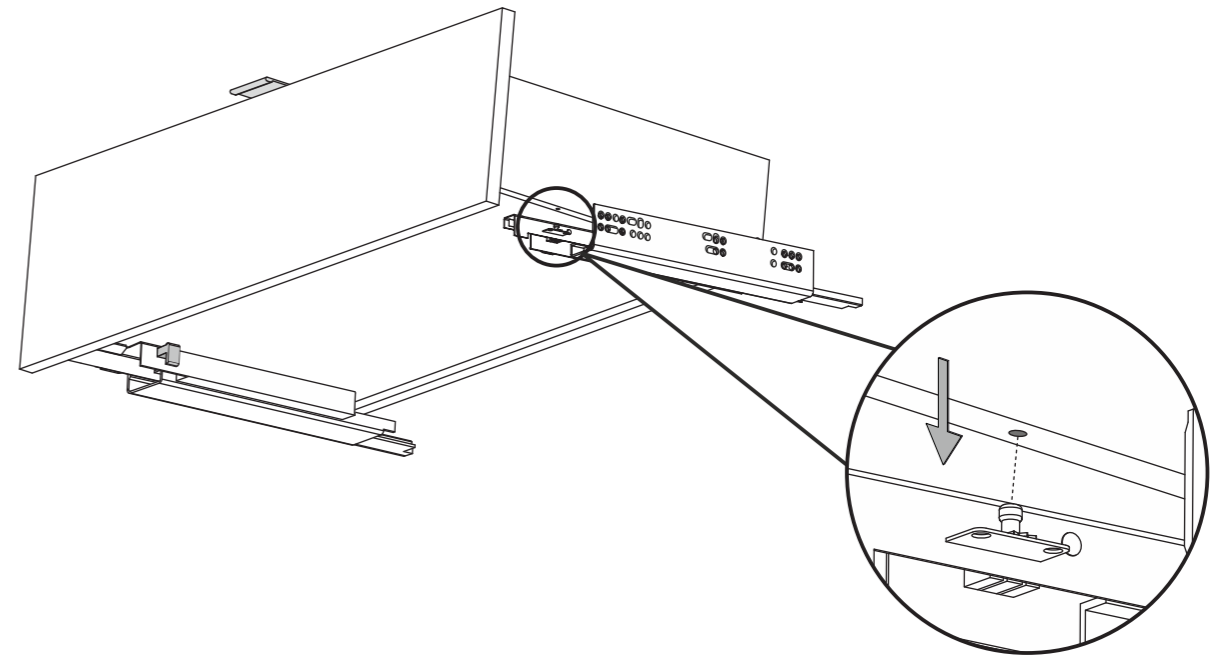


## INSTALL THE DRAWERS

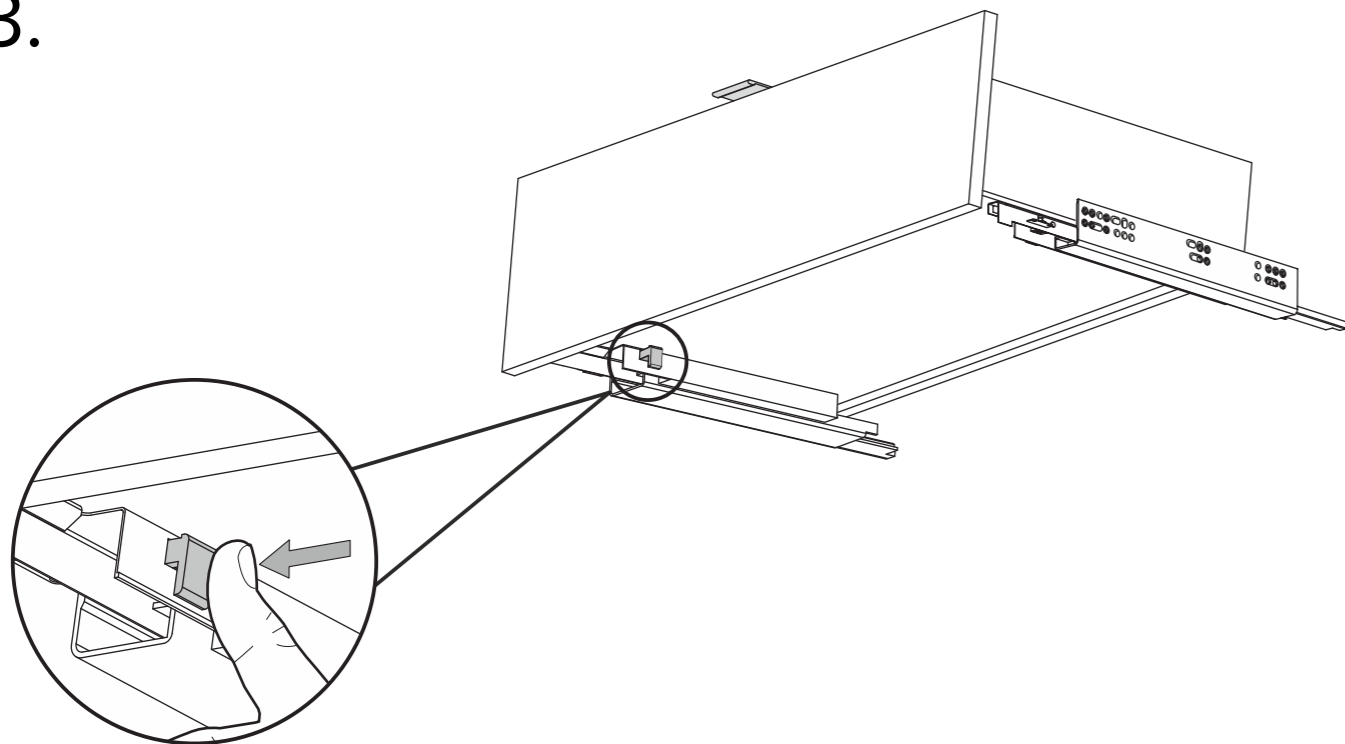
1.



2.



3.



4.

