

- A** Sides of Drawers

B Drawer Front

C Bottom of Drawer

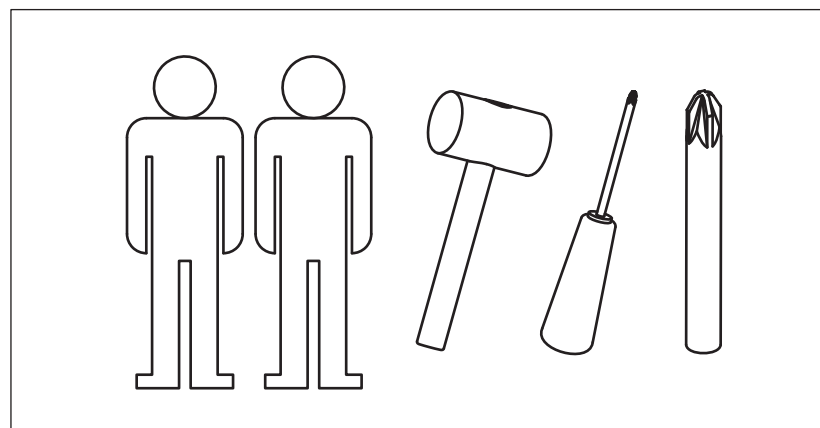
D1 Side Panel 1
- D2** Side Panel 2

E Top Surface


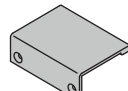


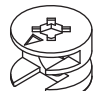
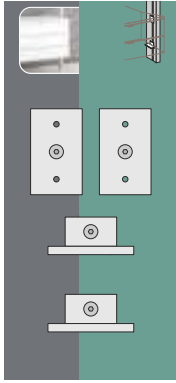

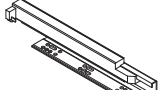
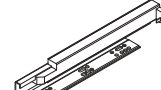
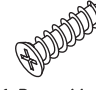

F Bottom Panel

G Back Panel

TOOLS

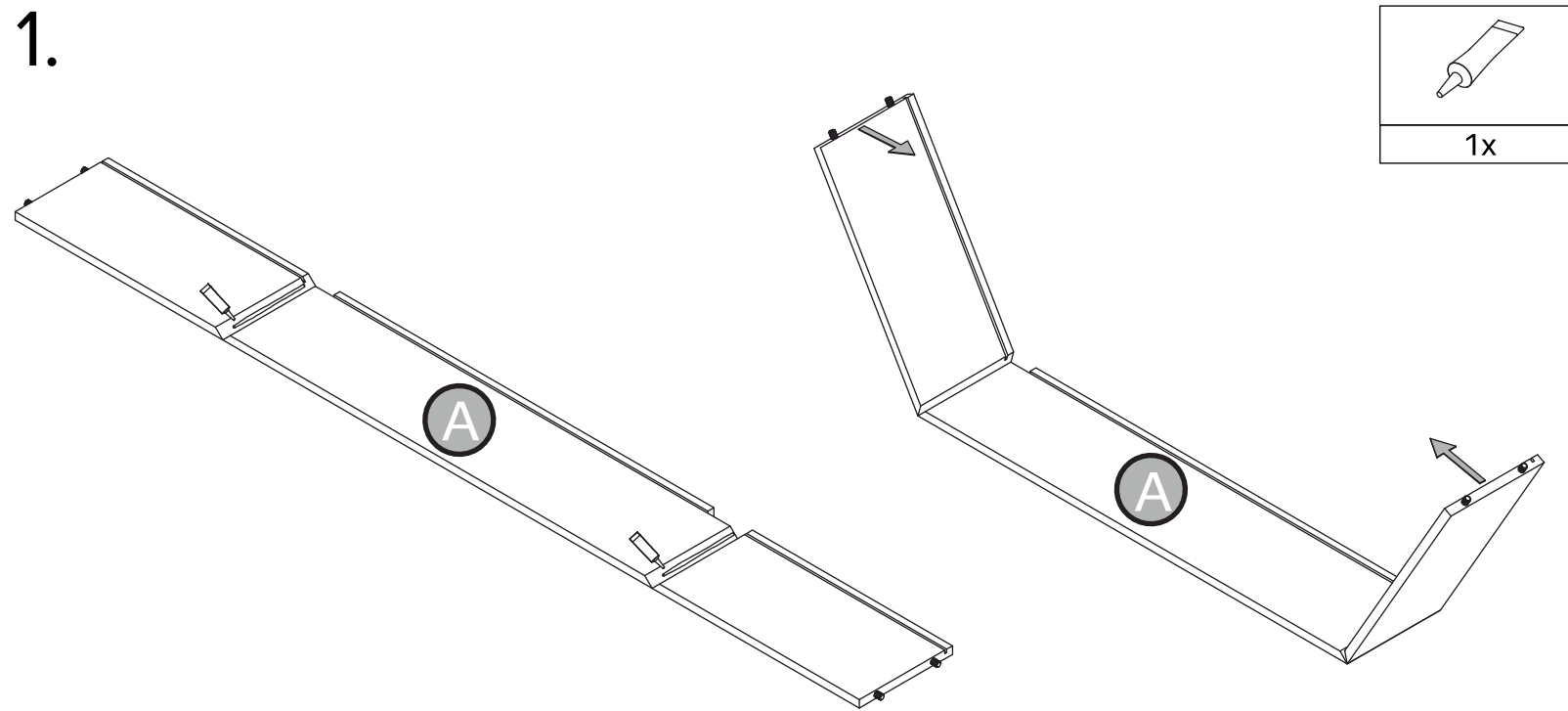


MATERIALS

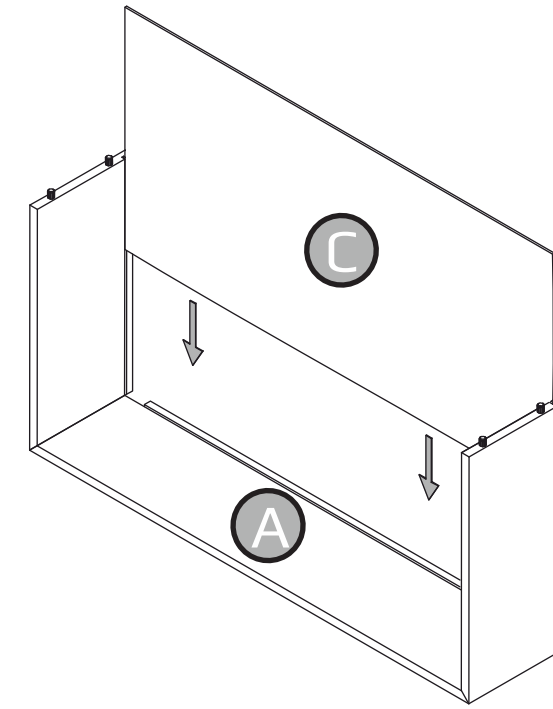
					
1x	2x	4x	8x	8x	
					
8x	2x	2x	8x	4x	

ASSEMBLE THE DRAWER

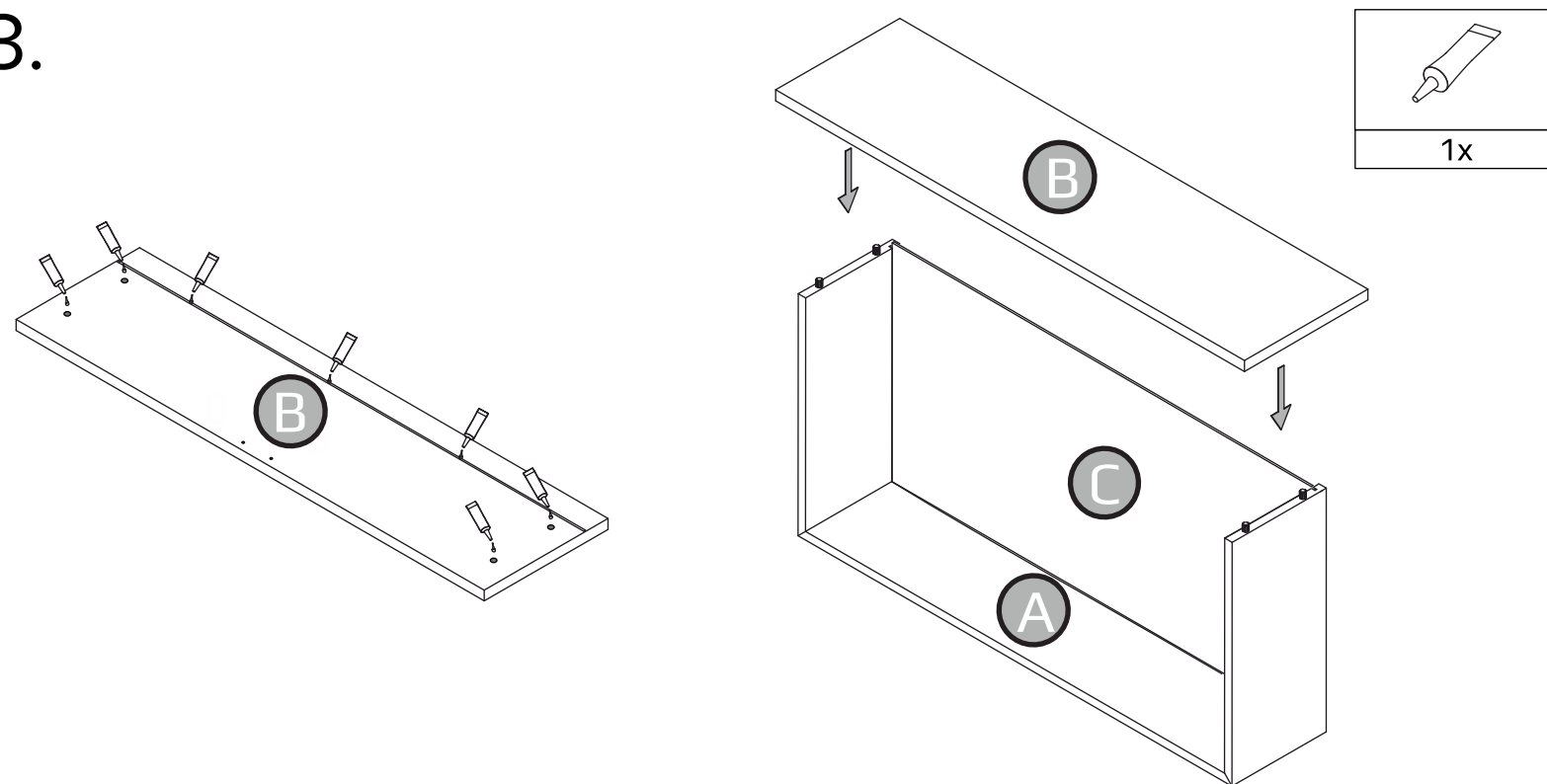
1.



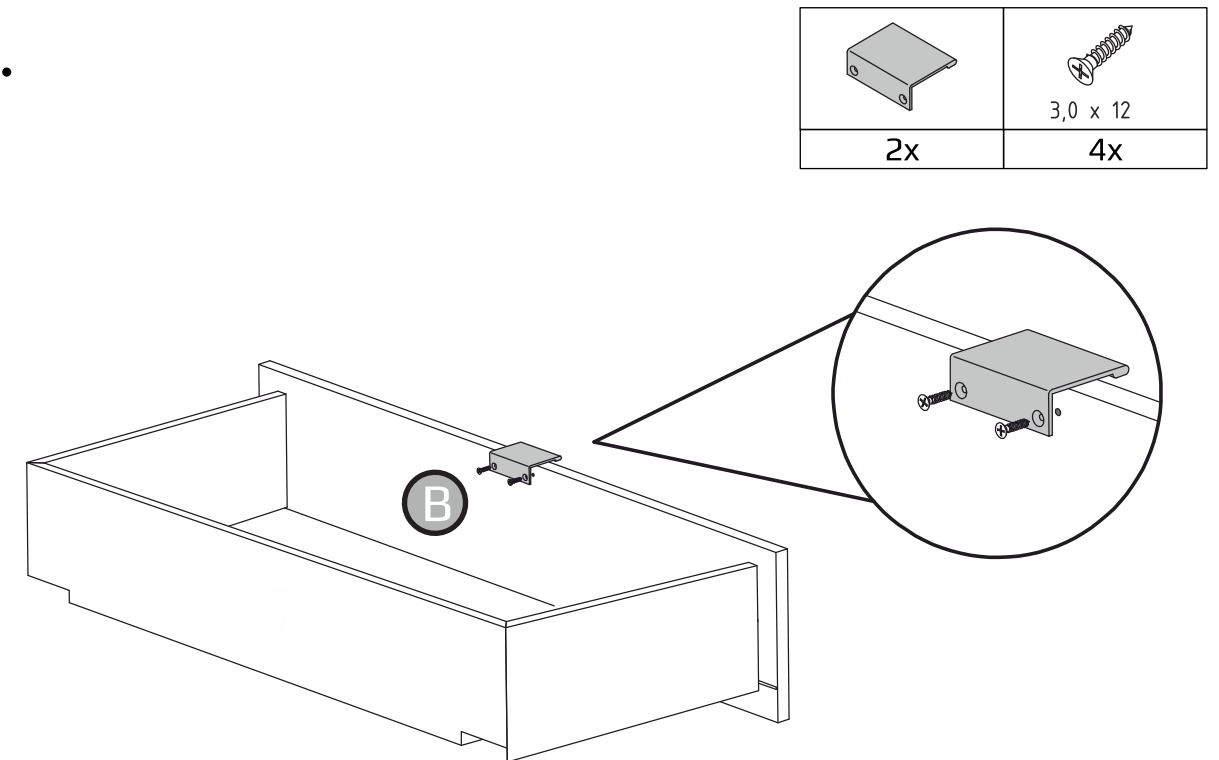
2.



3.

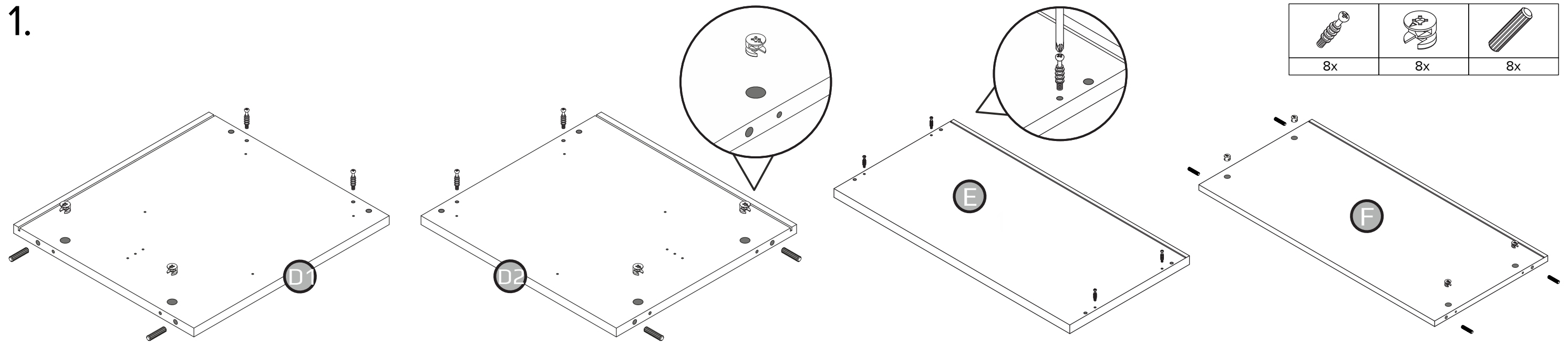


4.

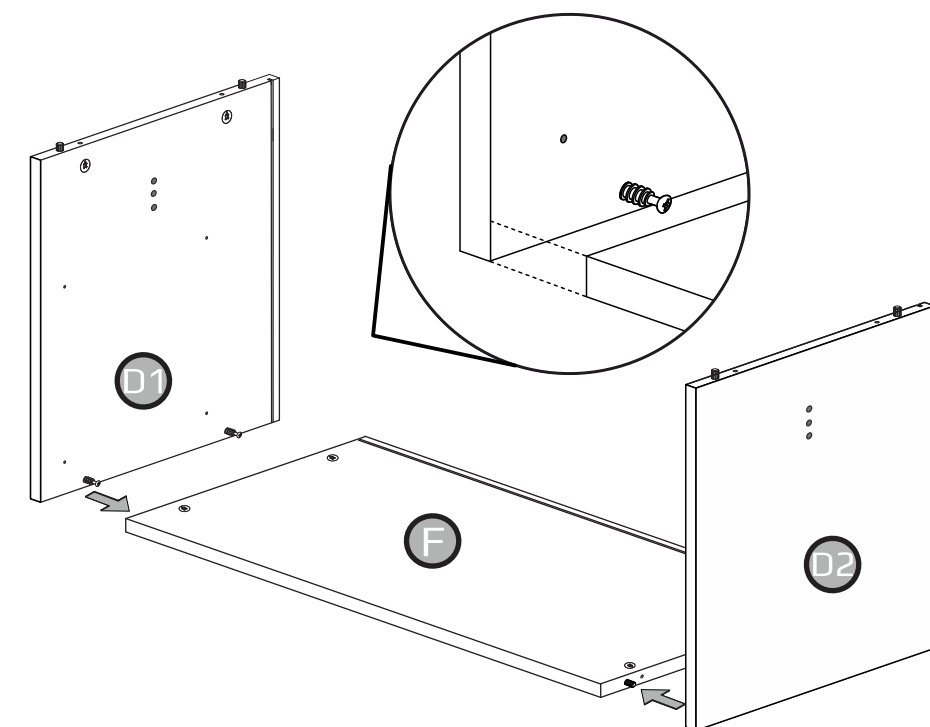


ASSEMBLE THE FRAME

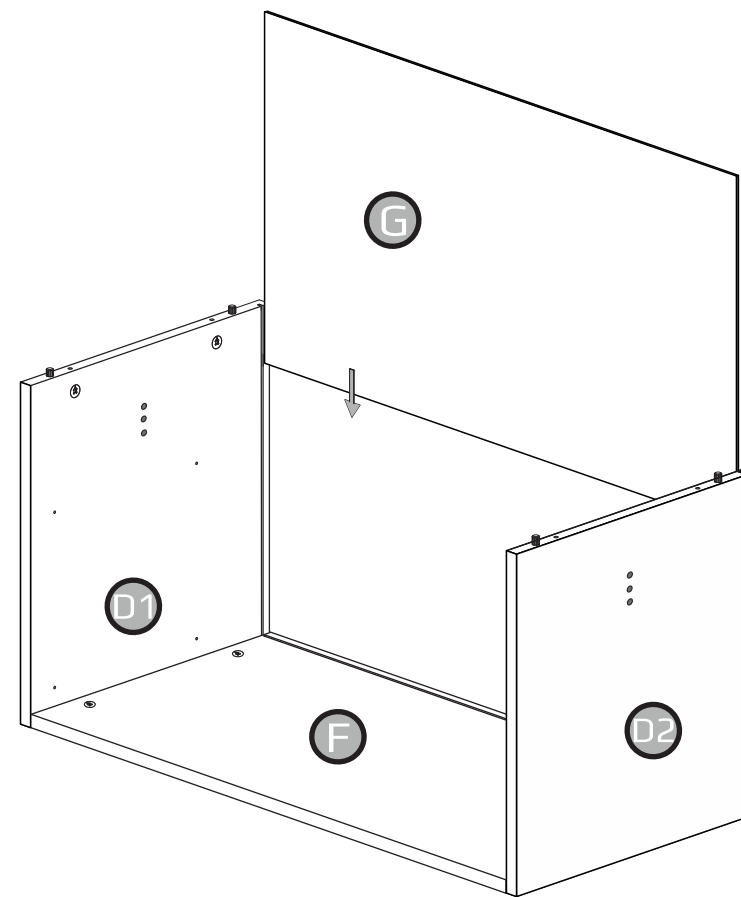
1.



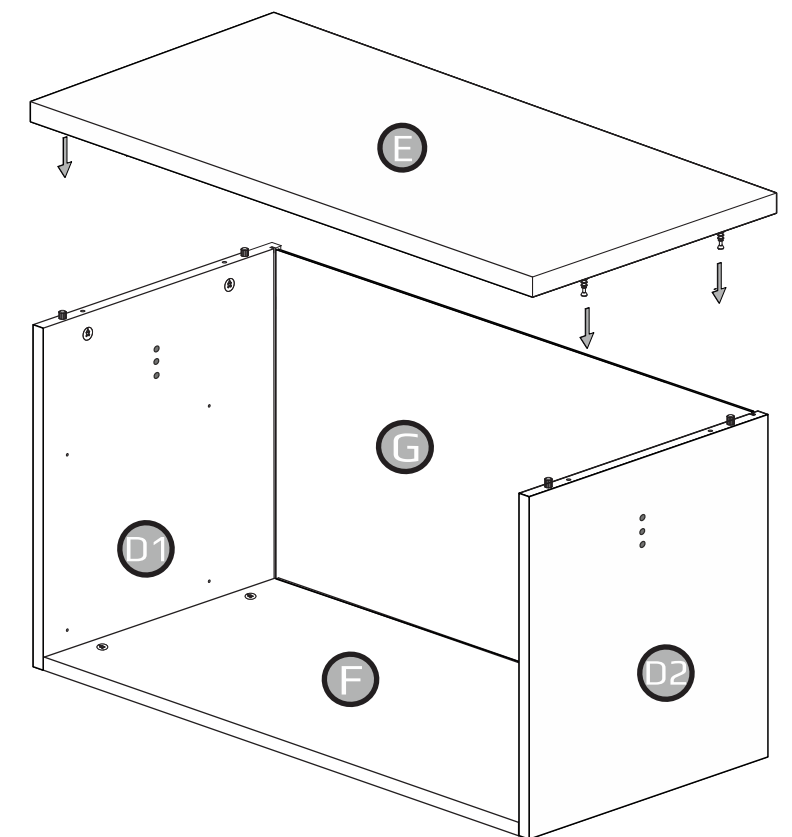
2.



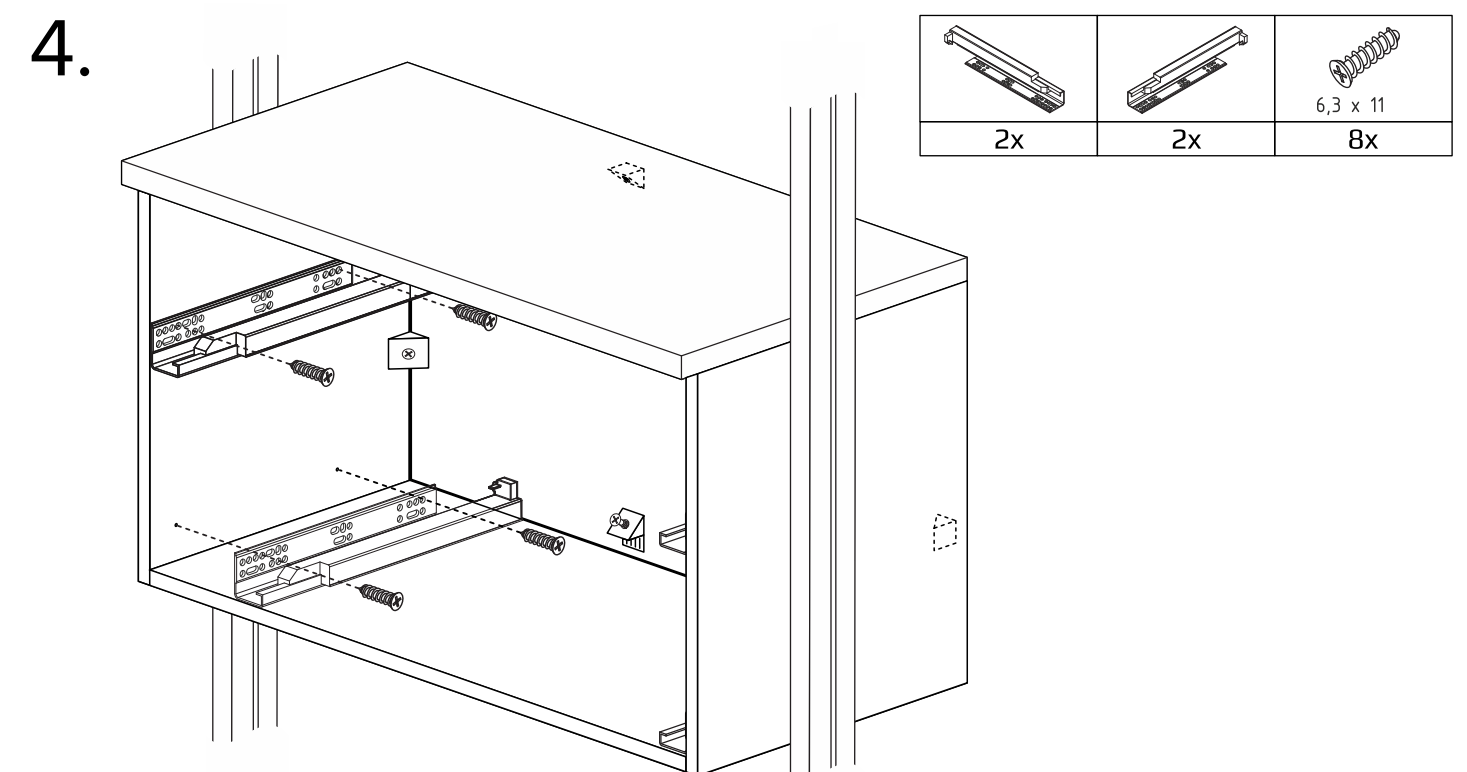
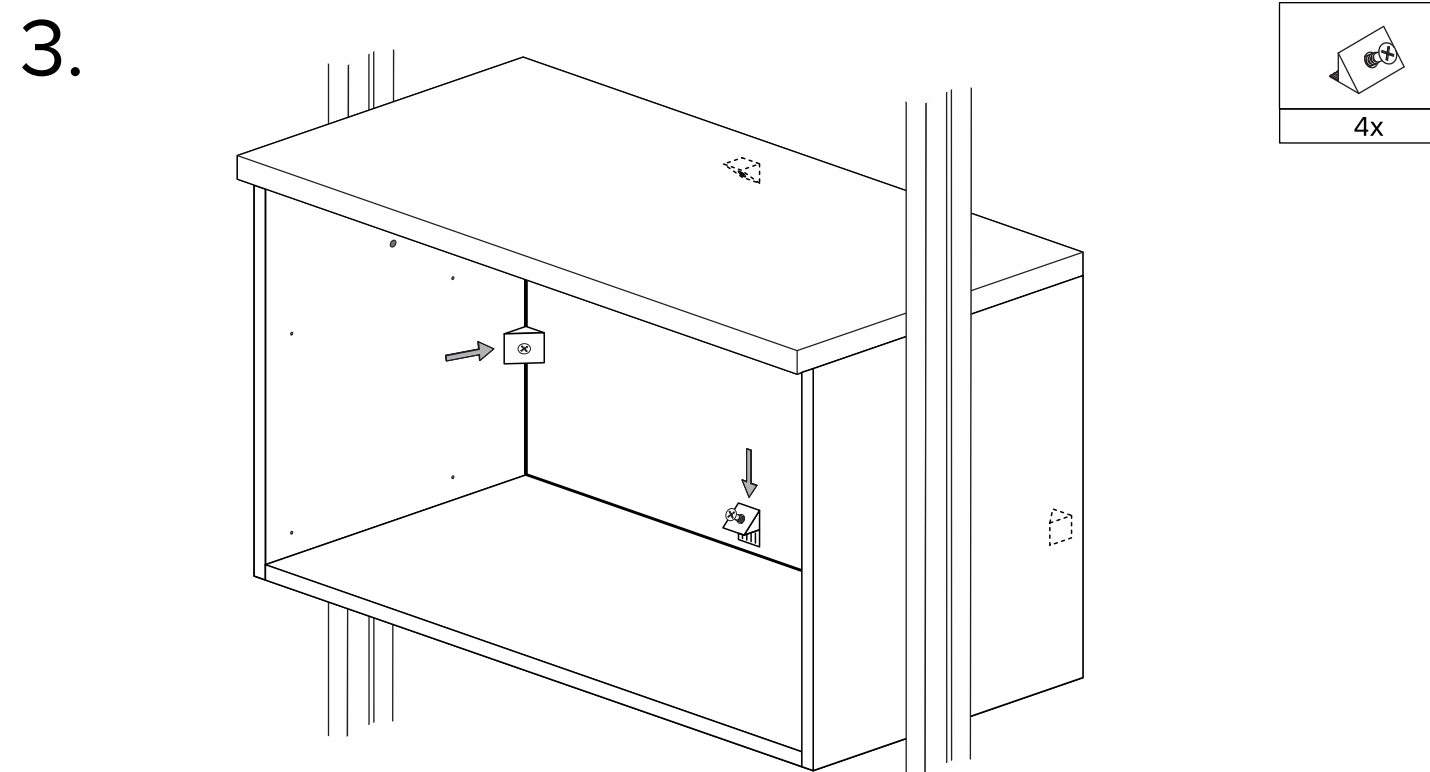
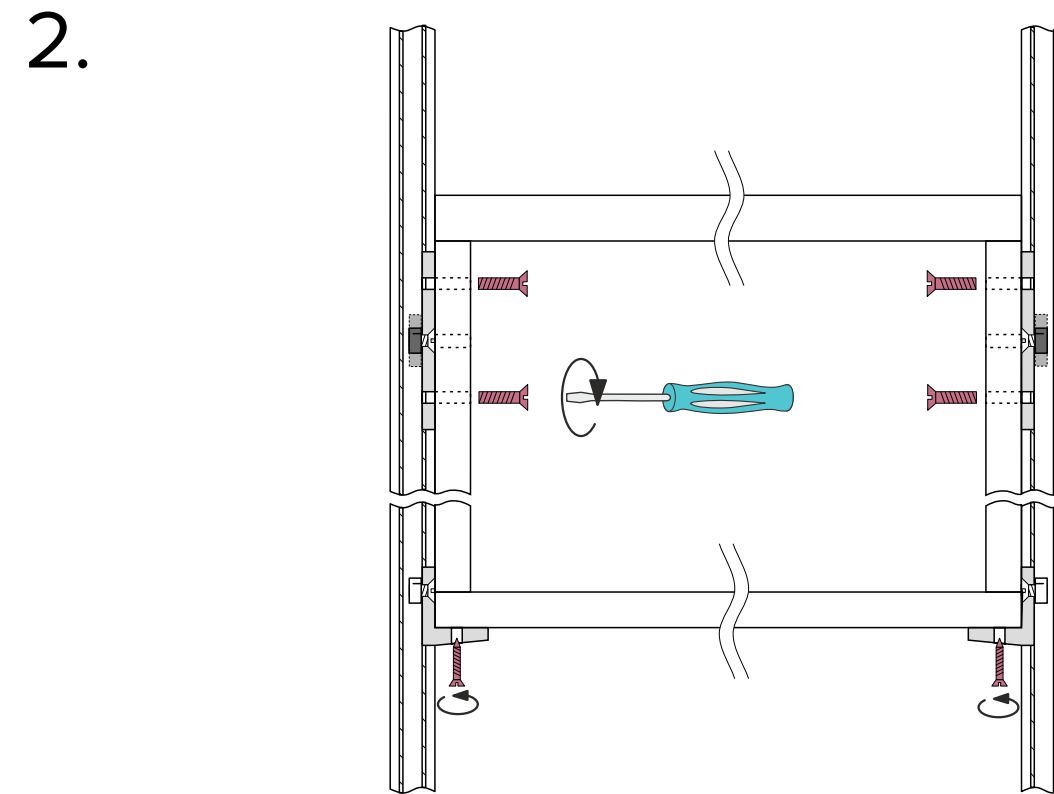
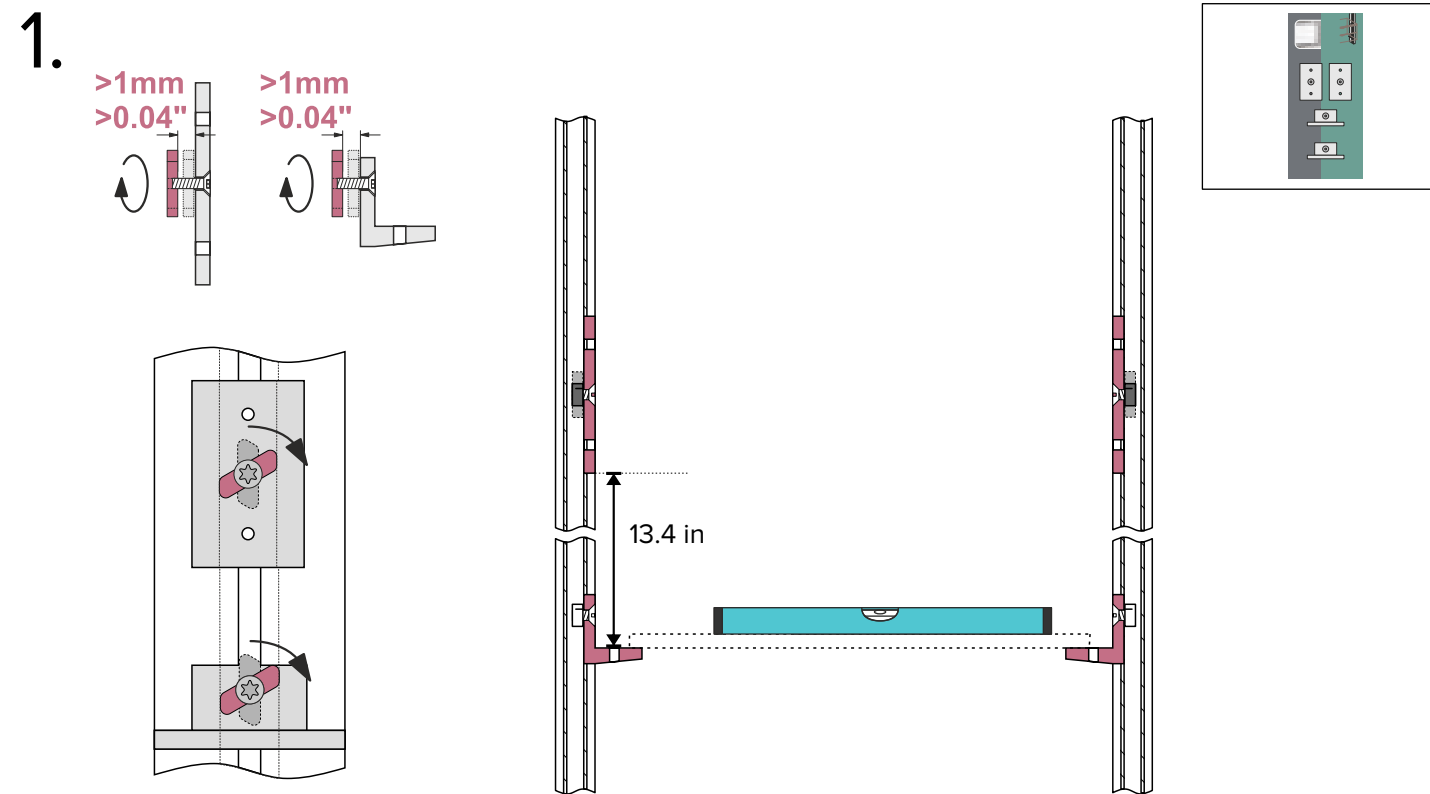
3.



4.

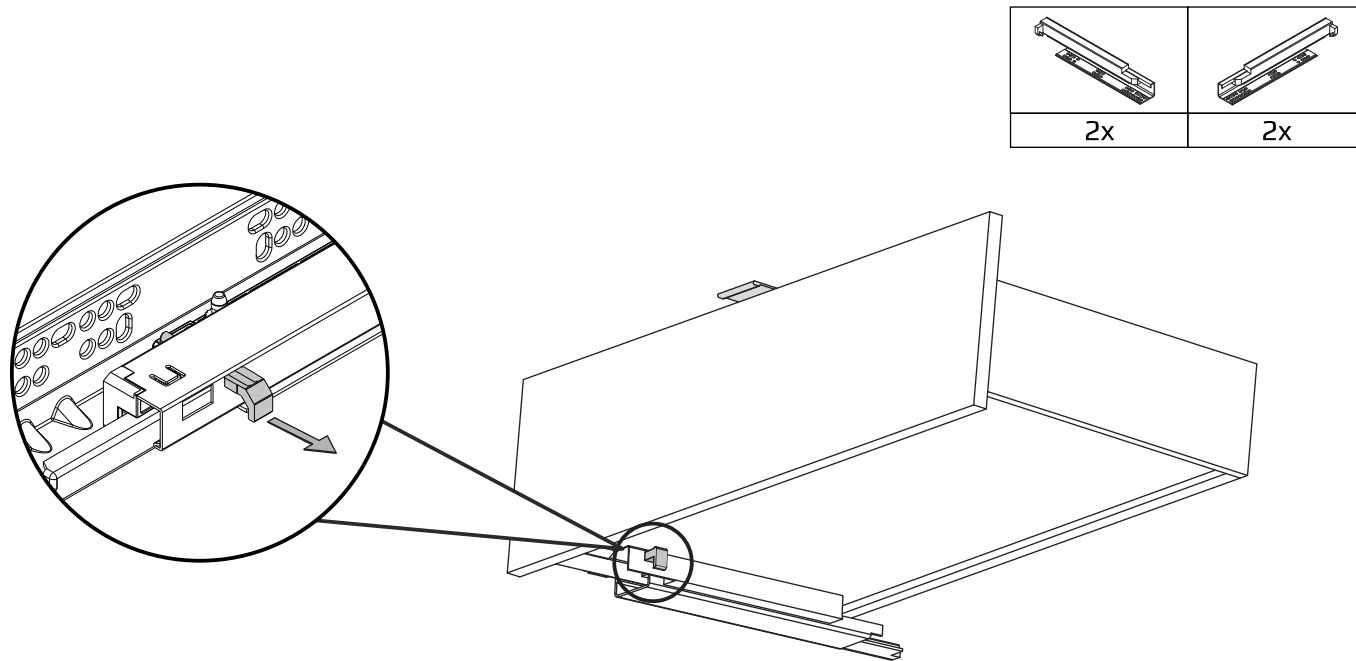


INSTALL THE FRAME

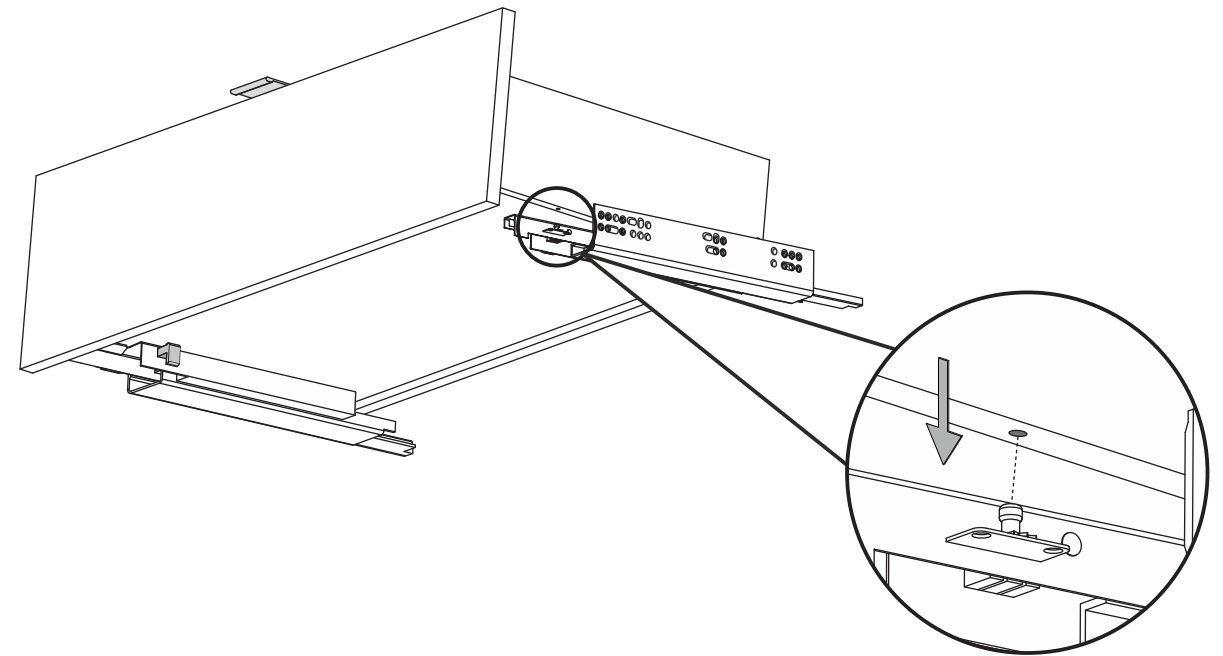


INSTALL THE DRAWERS

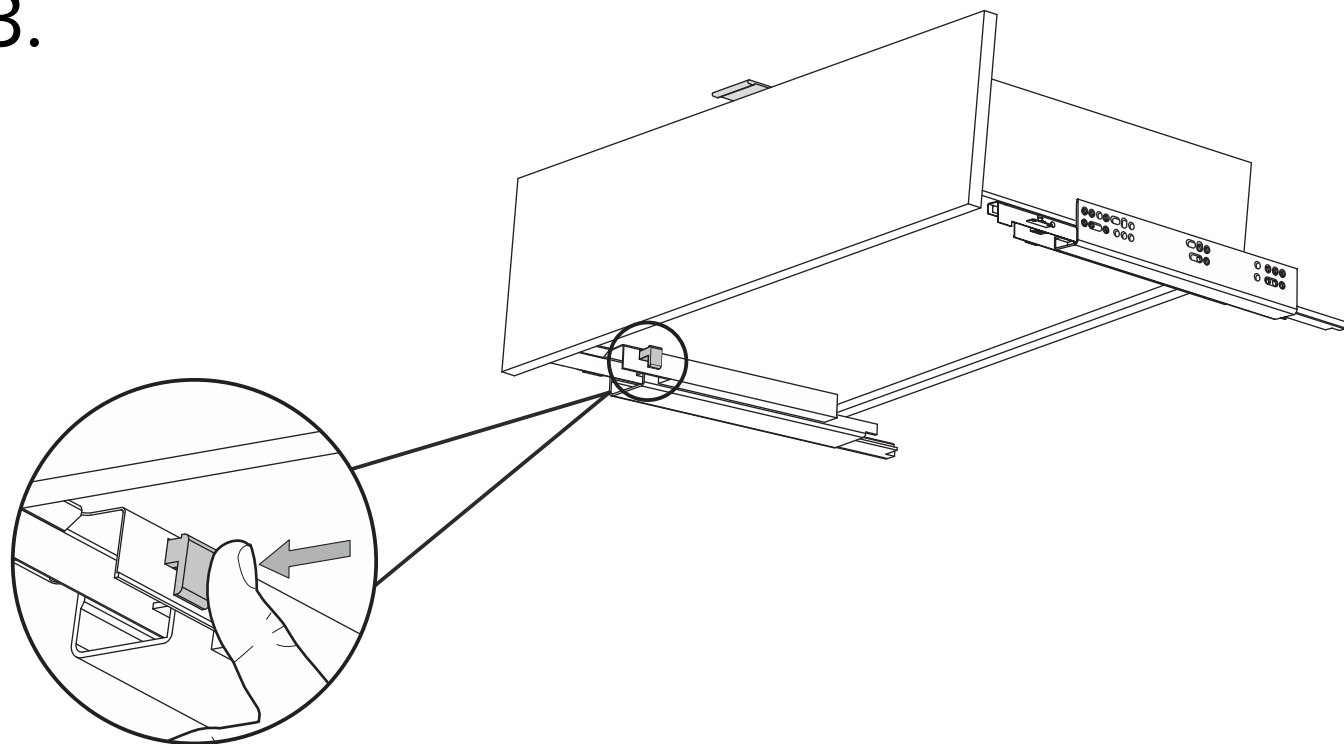
1.



2.



3.



4.

