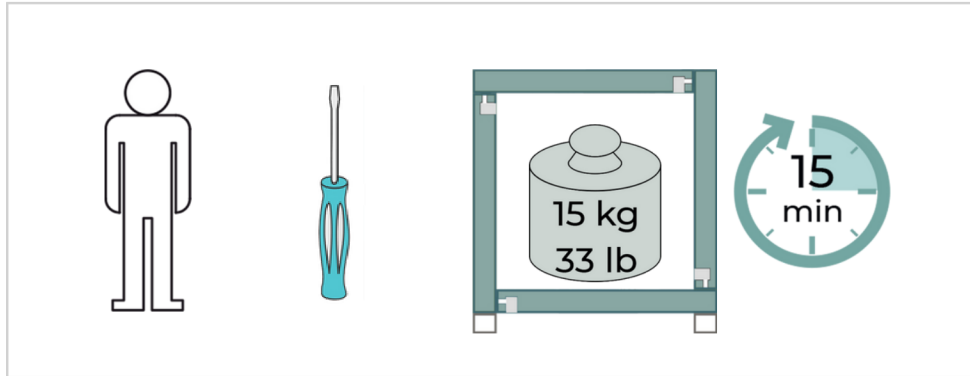
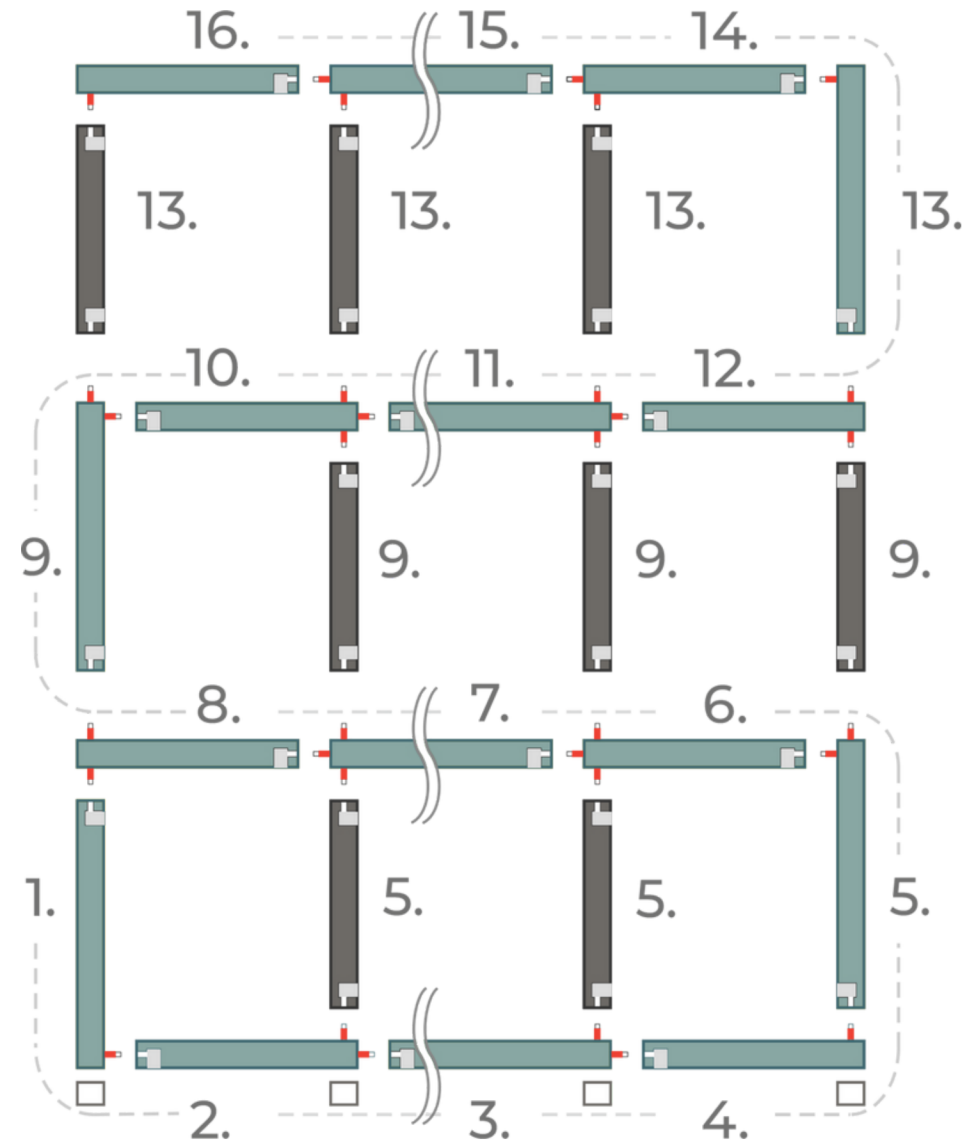


TOOLS

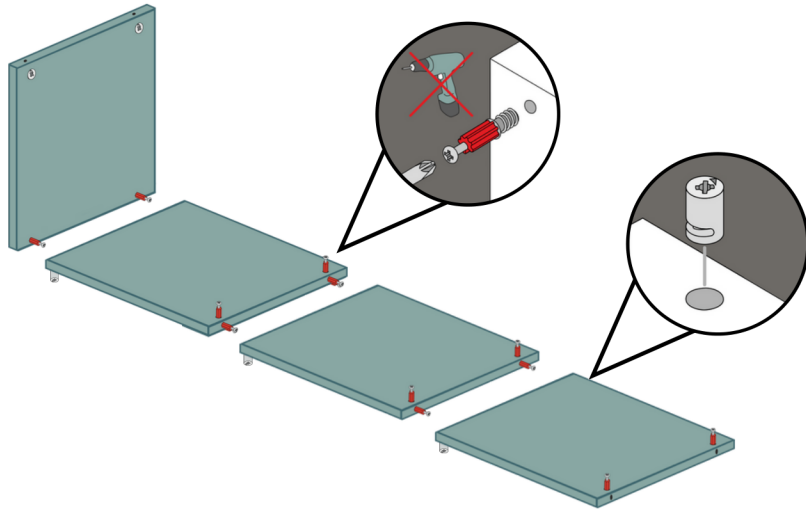


MATERIALS

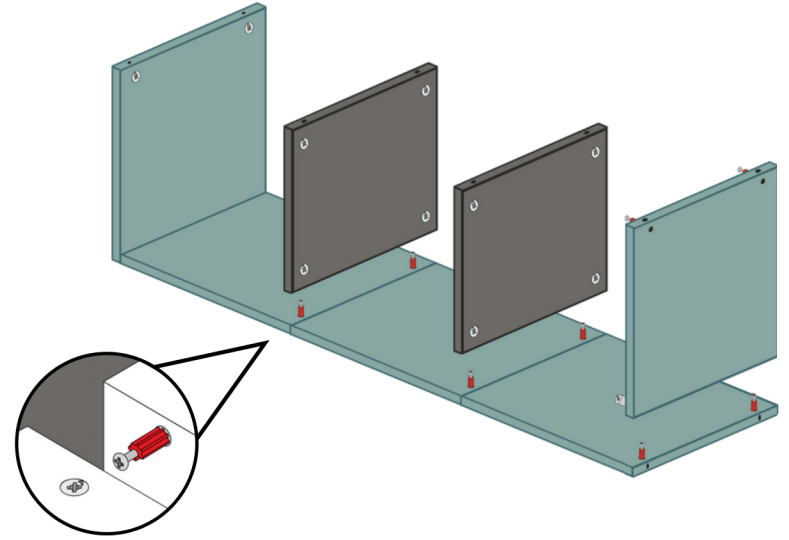


BUILD THE BOTTOM ROW

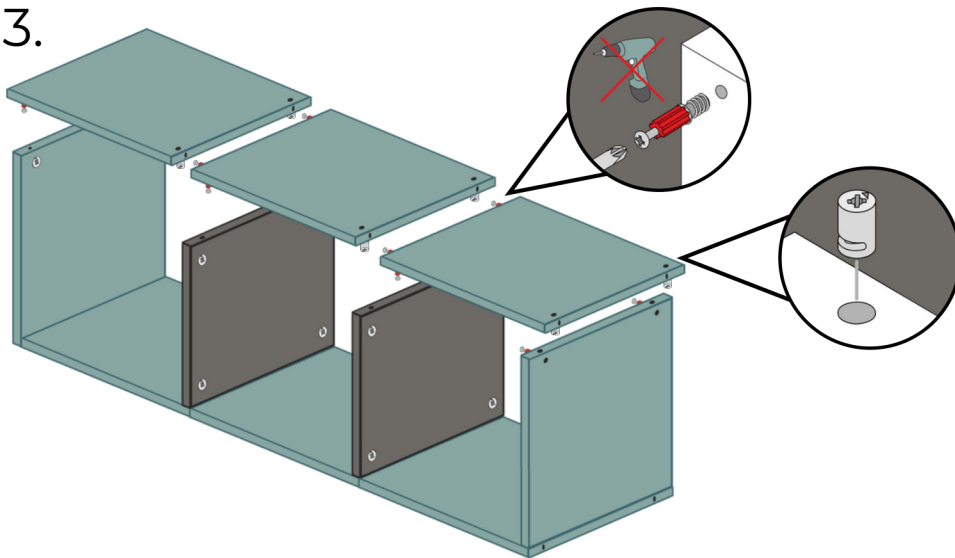
1.



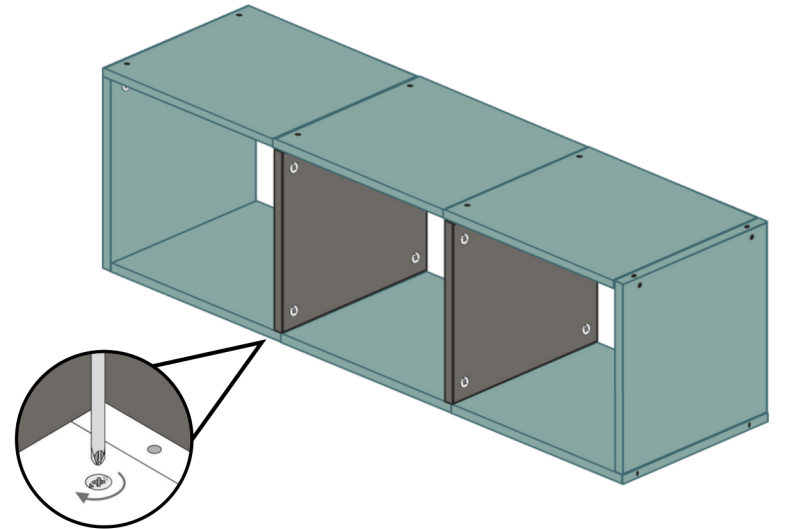
2.



3.

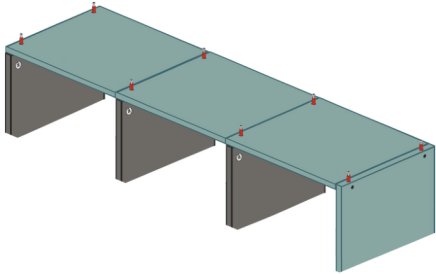


4.

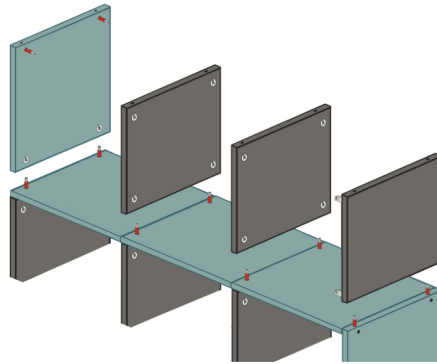


BUILDING EVEN ROWS

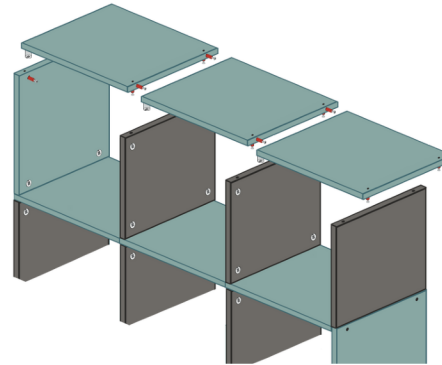
1.



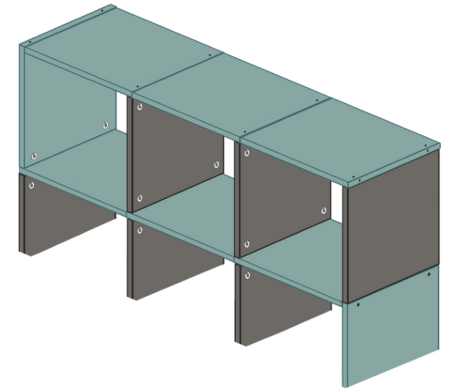
2.



3.

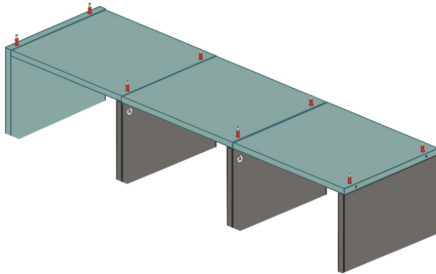


4.

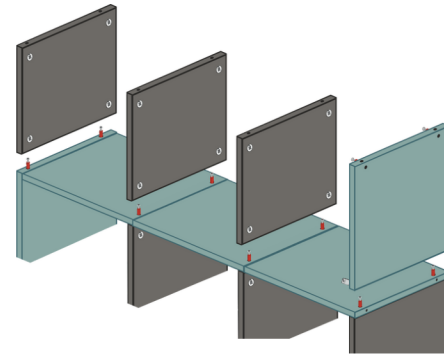


BUILDING ODD ROWS

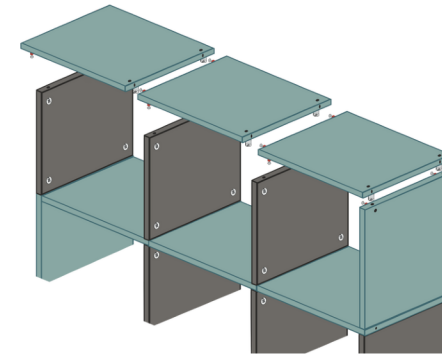
1.



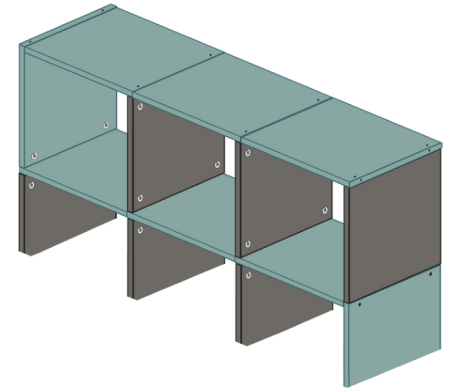
2.



3.

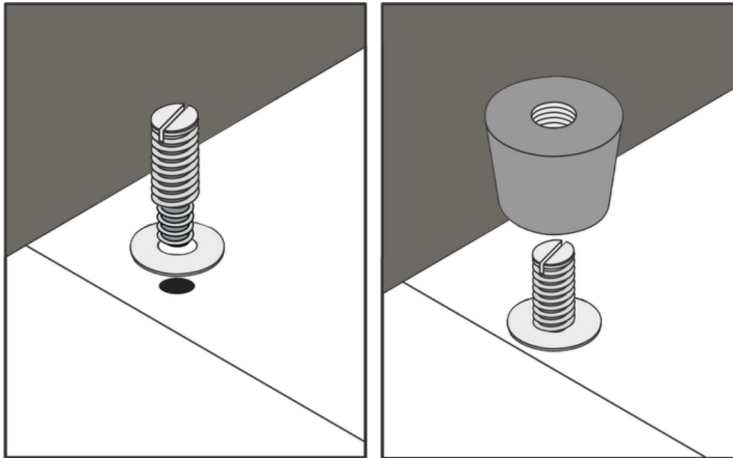


4.

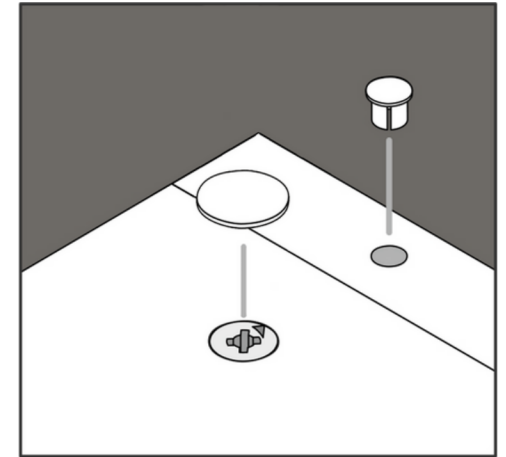


ACCESSORIES

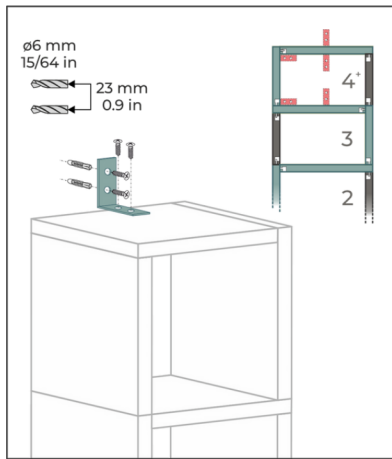
FEET



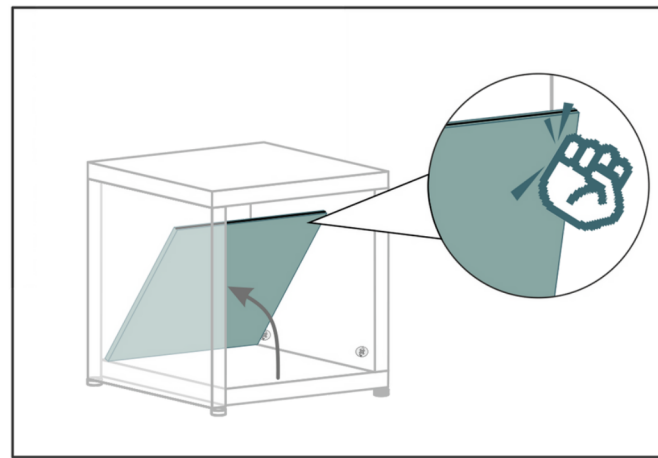
SCREW COVERS



TILT PREVENTION



BACKBOARD



CROSS COMPONENT

