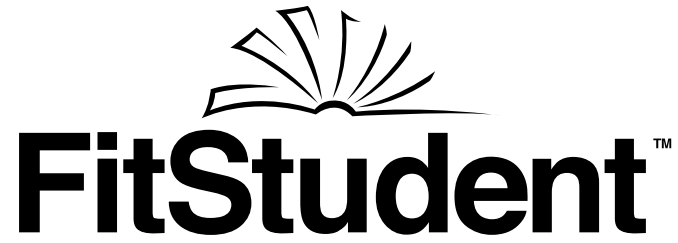


MODEL: 4100


by **FitDesk**[®]

Junior Bike Desk



VISIT OUR WEBSITE: WWW.FITSTUDENT.COM
OR CALL US AT 1-855-713-8887 MONDAY - FRIDAY 9 A.M. - 5 P.M. EST

DISTRIBUTED BY FD PRODUCTS LLC
1161 SOUTH PARK DRIVE, KERNERSVILLE NC 27284

IMPORTANT: READ THE OWNER'S MANUAL BEFORE ASSEMBLING

TABLE OF CONTENTS

Introduction.....	1	Warning and Labels.....	10
Safety Warnings.....	2	Maintenance and Troubleshooting.....	10
Customer Service Questions.....	3	Warranty.....	11
Tools.....	4	Complete Parts List.....	13
Hardware.....	4	Replacement Parts.....	13
Parts.....	5	Exploded View.....	14
Assembly.....	6	Other Great Products From FitDesk ®.....	15

INTRODUCTION

Thank you for choosing **FitStudent**™ We hope your new **FitStudent**™ Junior Bike Desk becomes a regular part of your daily routine. We wish you good health and increased wellness as you use the **FitStudent**™ to infuse activity into parts of your day.

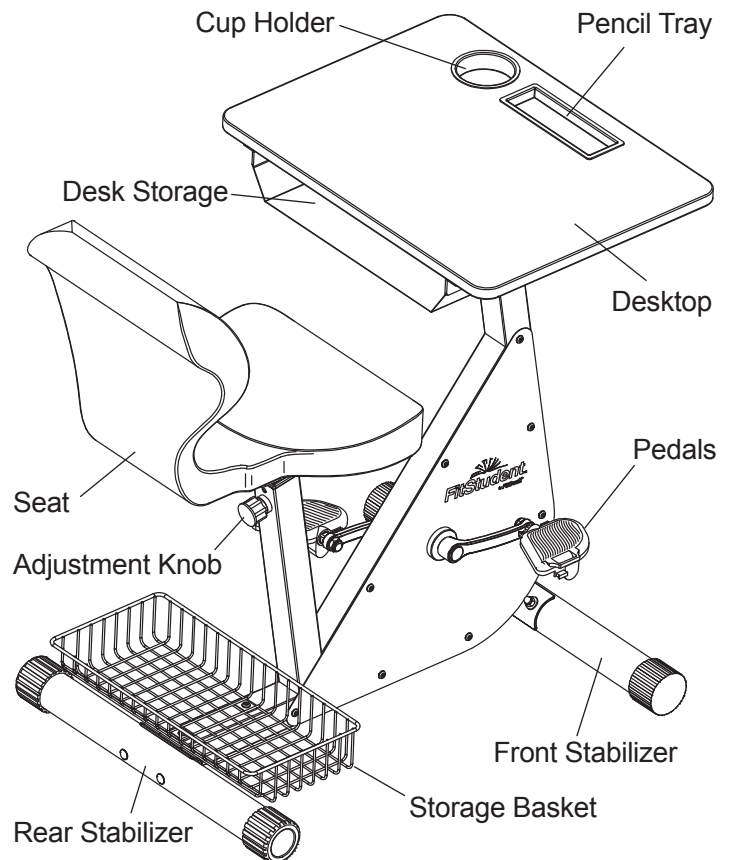
Before you start assembling your new Junior Bike Desk please take a moment to read this manual carefully before using your **FitStudent**™.


Specifications:

Weight of Bike: 65 lbs

**Recommended User Range:
Grades 2nd - 5th**

**Recommended Max User Weight:
150 lbs (68 kgs)**



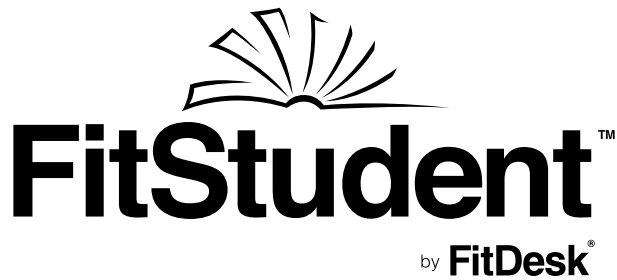

FitStudent™
 by **FitDesk**®

SAFETY WARNINGS - URGENT PLEASE READ THIS SECTION

WE WANT YOU TO SAFELY USE THIS PRODUCT

1. Read the entire manual before assembling and using the equipment. Safe use can only be achieved if the equipment is assembled, maintained and used properly. All users of the equipment must be informed of all warnings and precautions.
2. Before starting or using this equipment, you should consult your doctor to determine if you have any health conditions that could create a risk to your health and safety or prevent you from using the equipment properly.
3. Be aware of your body's signals. Incorrect or excessive exercise can damage your health. Stop exercising if you experience any of the following symptoms: pain, tightness in you chest, irregular heartbeat, extreme shortness of breath or feeling light headed, dizzy or nauseous. If you do experience any of these conditions consult your physician.
4. Read and follow all warning stickers on the **FitStudent™**.
5. Mount and dismount carefully. **Extreme movements can tip machine resulting in injury and/or equipment damage.**
6. Use the equipment on a solid, level surface with a protective cover for your floor or carpet.
7. Inspect and tighten all parts often. Replace any worn parts immediately.
8. If you find any defective components while assembling or checking the equipment or if you hear any unusual noises coming from the equipment during use, stop immediately. Do not use the equipment until the problem has been resolved.
9. Recommended maximum user weight of 150lbs, 68 kg. Recommended for grades 2nd - 5th.
10. Do not stand while pedaling. **For light exercise use only.** The equipment is suitable for home and school use only. Do not use in commercial or rental settings.
11. Do not sit on desktop this may cause tipping of the bike desk and injury.
12. Consult a physician if you feel pain or excessive discomfort while on the seat.

CUSTOMER SERVICE QUESTIONS



**NEED HELP?
CONTACT US FIRST
1-855-713-8887
MONDAY - FRIDAY 9 A.M. - 5 P.M. EST**

EASY TO USE CUSTOMER TICKETING

Step 1: www.thefitdesk.com

Step 2: “Support”

Step 3: “Submit a Support Ticket”

customerservice@fitstudent.com

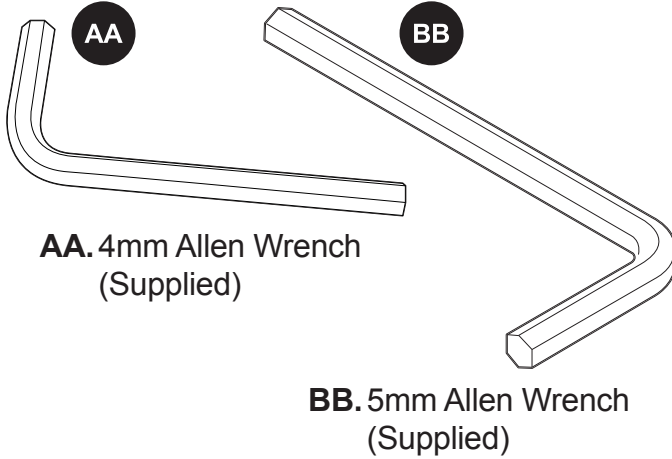
FOR FASTEST POSSIBLE SERVICE PLEASE HAVE AVAILABLE

Model # 4100 - Serial # (Located on tubular base safety sticker)

WWW.FITSTUDENT.COM

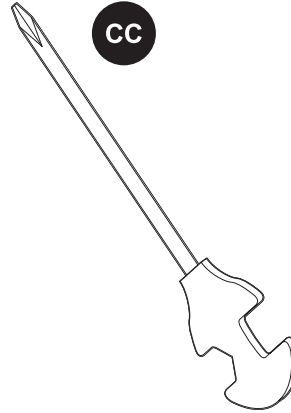
TOOLS

Estimated Assembly Time: 30 minutes

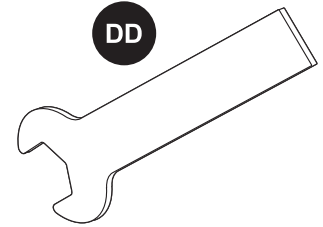


AA. 4mm Allen Wrench
(Supplied)

BB. 5mm Allen Wrench
(Supplied)



CC. Multi-functional
Wrench

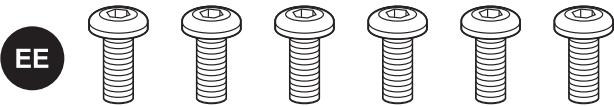


DD. 19mm Wrench

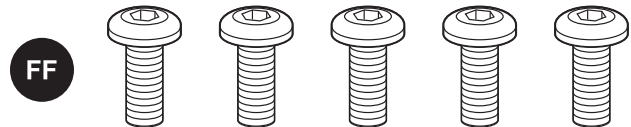
Each **FitStudent™** comes equipped with one 4mm Allen Wrench (**AA**), one 5mm Allen Wrench (**BB**), one Multi-functional Wrench (**CC**), and one 19mm Wrench (**DD**). It is recommended if you have your own tools, that you use a 1/2" socket with drive and a 15mm Wrench to tighten the pedals from time to time.

HARDWARE

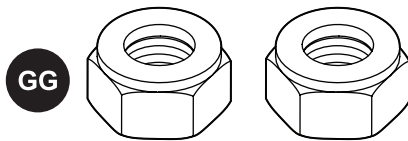
Note: Hardware and Tools not shown to actual size.



EE. (6) M6*12 Bolt



FF. (5) M8*16 Bolt



GG.(2) 9/16" Nut (Left-Hand/Right-Hand)



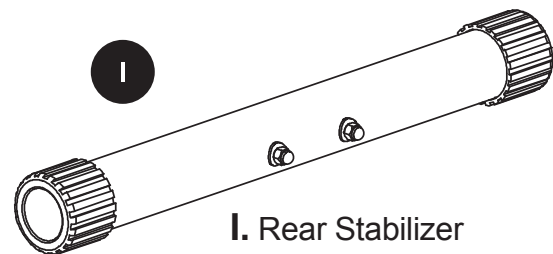
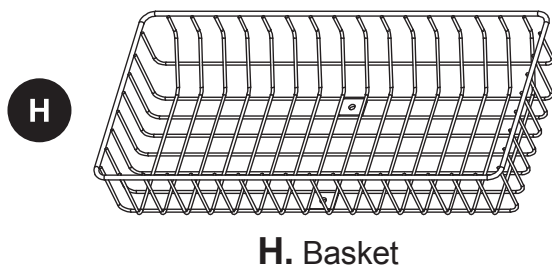
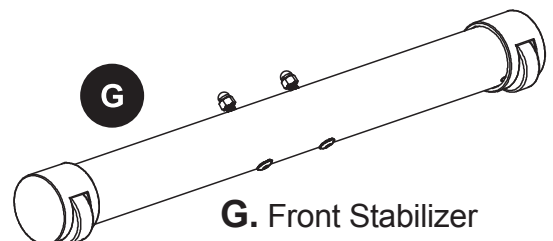
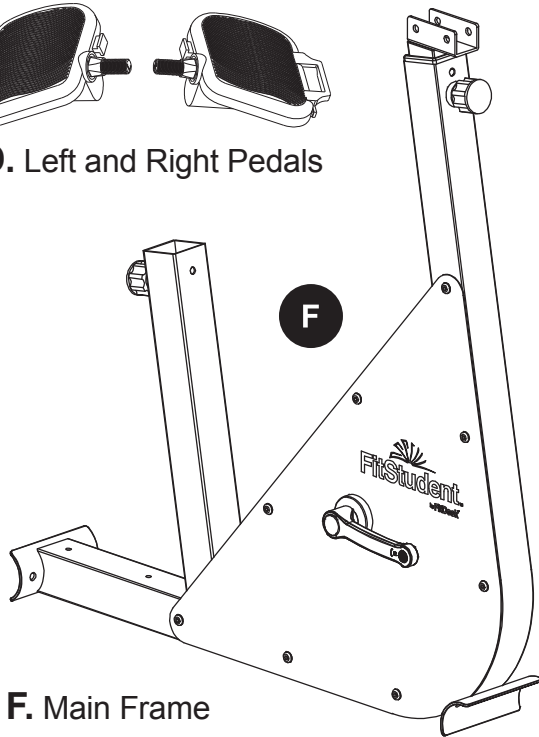
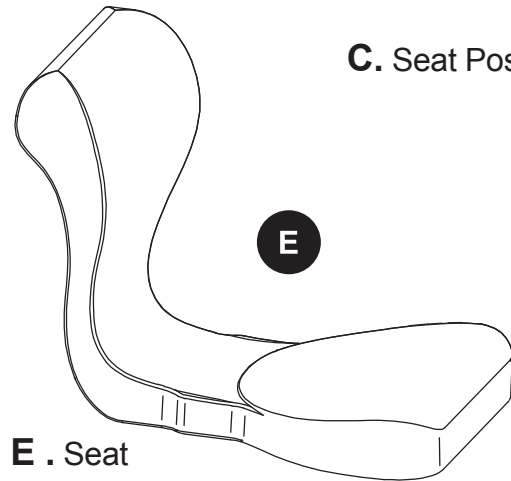
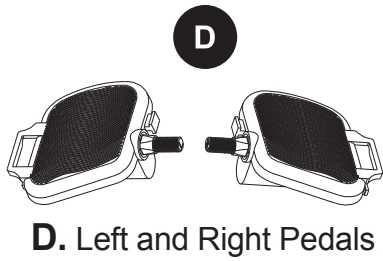
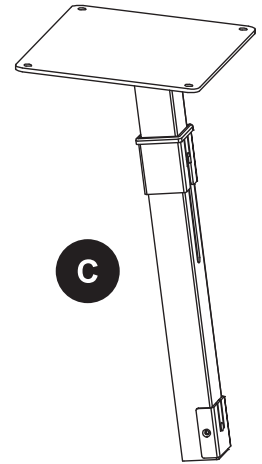
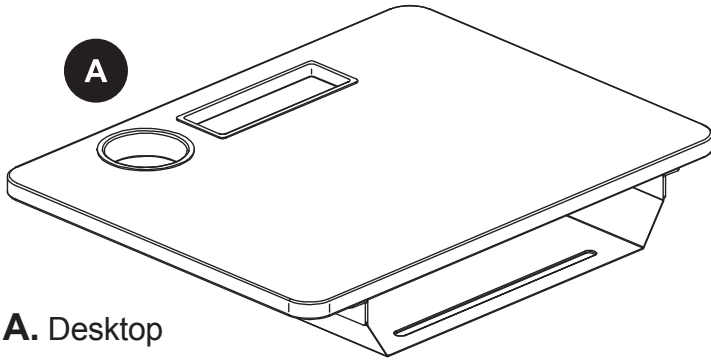
HH. (4) M8*Curved Washers



II. (4) M8*Nuts

Note: If parts or hardware are missing contact customer service immediately. Please do not discard your packaging until your entire **FitStudent™** is fully assembled. Some parts are purposely packaged in cardboard or Styrofoam and can mistakenly be thrown away with the packaging.

PARTS

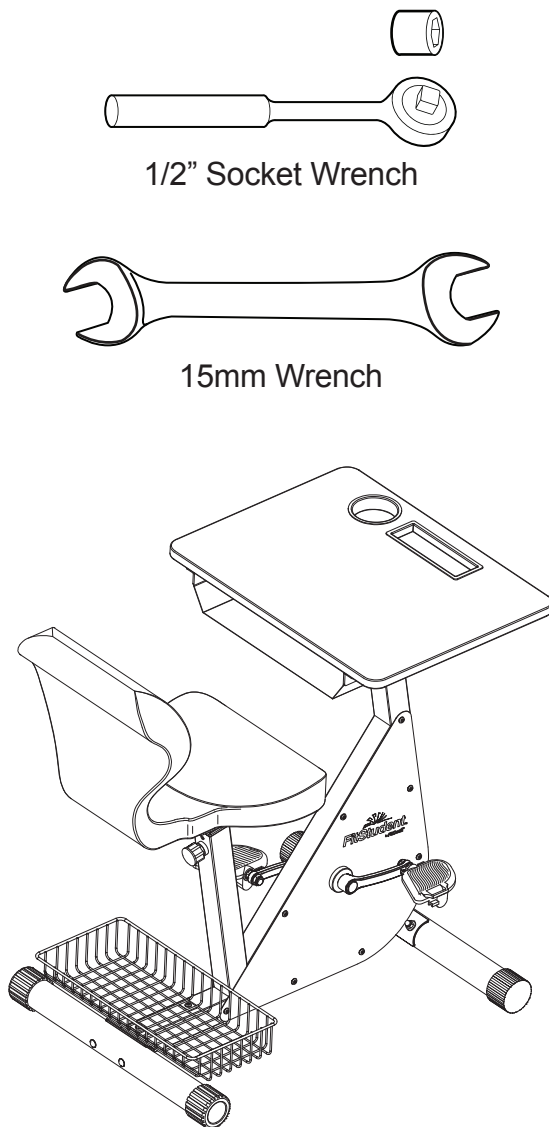


ASSEMBLY

NOTE: Before assembly please check all parts carefully.

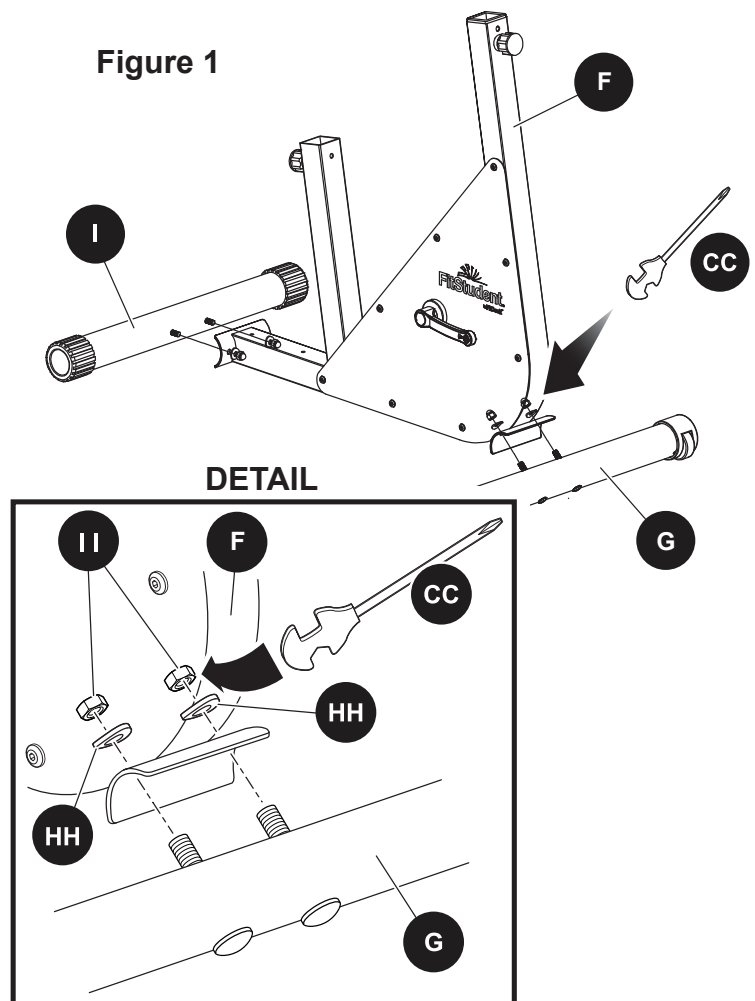
We take great care to deliver quality products that will last for years. However, even with years of manufacturing experience and high levels of quality control, problems still occur from time to time. If you experience a problem with any part of your new **FitStudent™**, please contact us before returning your product. In most cases, we can quickly resolve the issue with technical advice or easily send a replacement part if needed.

The included Allen Wrench (**AA**), (**BB**) and Wrench (**CC**) and Multi-functional Wrench (**DD**) are required to complete this assembly. To make the assembly easier, we recommend using a 1/2 inch Socket Wrench, and a 15mm Wrench.



Step 1: Remove the two nuts and washers from the Front Stabilizer (**G**) and set aside for reinstallation. Install the Front Stabilizer to the Main Frame (**F**). Using the Multi-functional Wrench (**CC**) (supplied), reinstall the two nuts and washers and hand tighten. Repeat the process for Rear Stabilizer (**I**). **Figure 1**

Note: Periodically check Front and Rear Stabilizers for tightness.



ASSEMBLY

Step 2: Remove the nut from the Left “L” Pedal (D) and set aside for reinstallation. Using the Multi-functional Wrench (CC) (supplied), install the “L” Pedal (reverse threading required) onto the crank arm. Using the 19mm wrench (DD) (supplied), reinstall the nut and tighten (Left pedal is reverse thread). **Figure 2**

Note: The Pedals must be made extra tight.

WARNING: Care should be taken not to damage the threads due to over tightening.

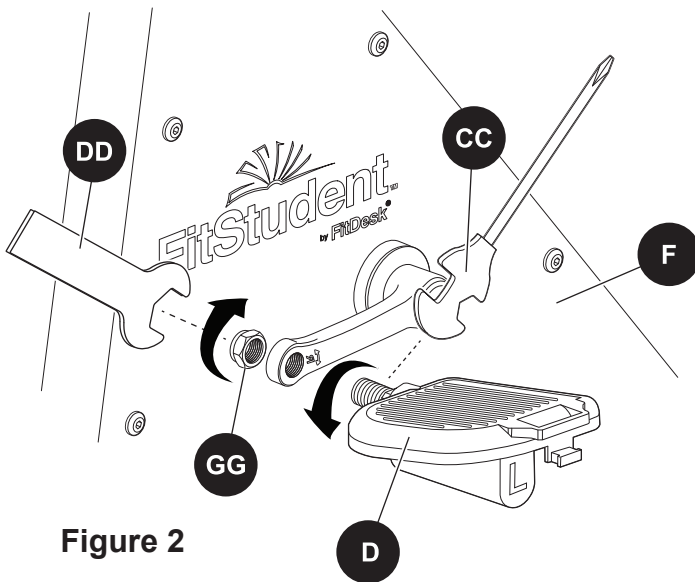


Figure 2

Step 4: Using the 4mm Allen Wrench (AA) (supplied), Install the Seat (E) to the Seat Post (C), with four M6*12 Bolts (EE).

Figure 4

Step 3: Remove the nut from the Right “R” Pedal (D) and set aside for reinstallation. Using the Multi-functional Wrench (CC) (supplied), install the “R” Pedal onto the crank arm. Using the 19mm wrench (DD) (supplied), reinstall the nut and tighten (Right pedal not reverse thread). **Figure 3**

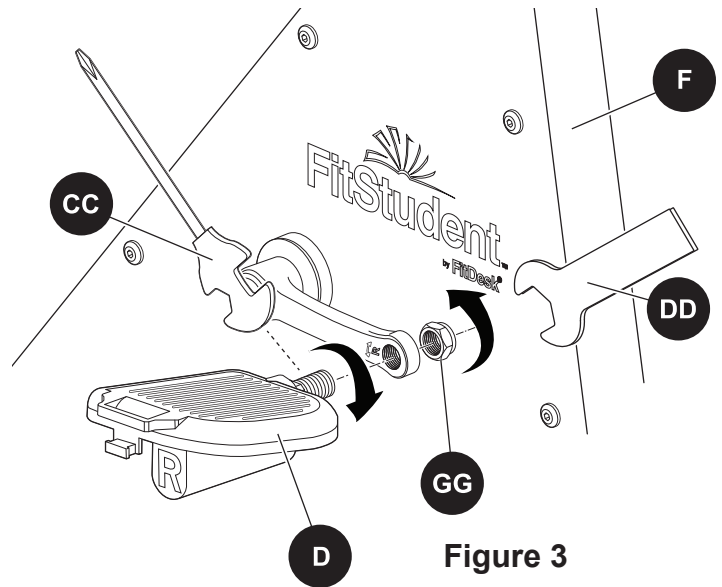


Figure 3

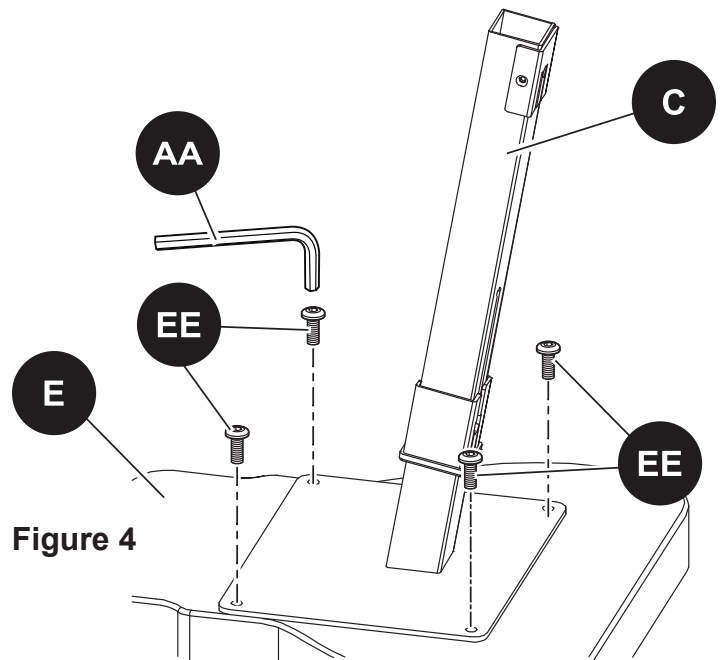
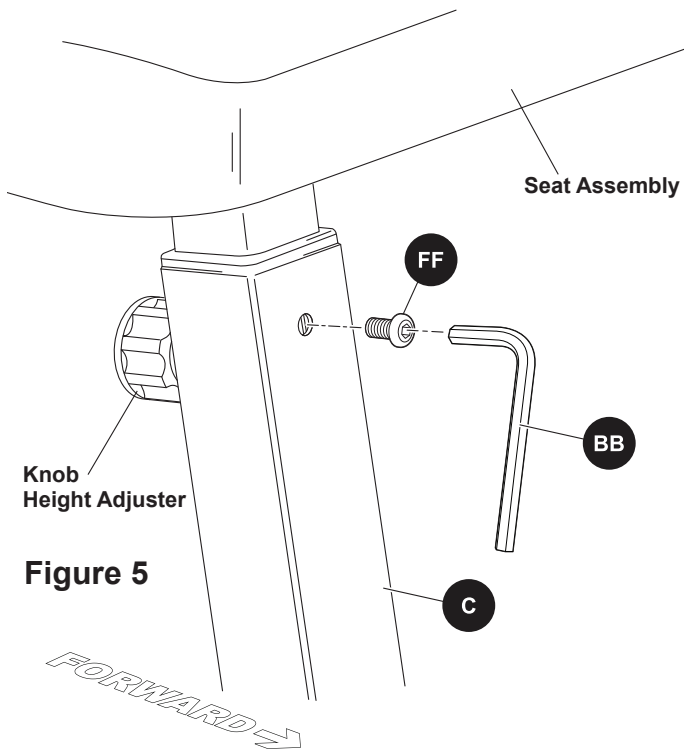


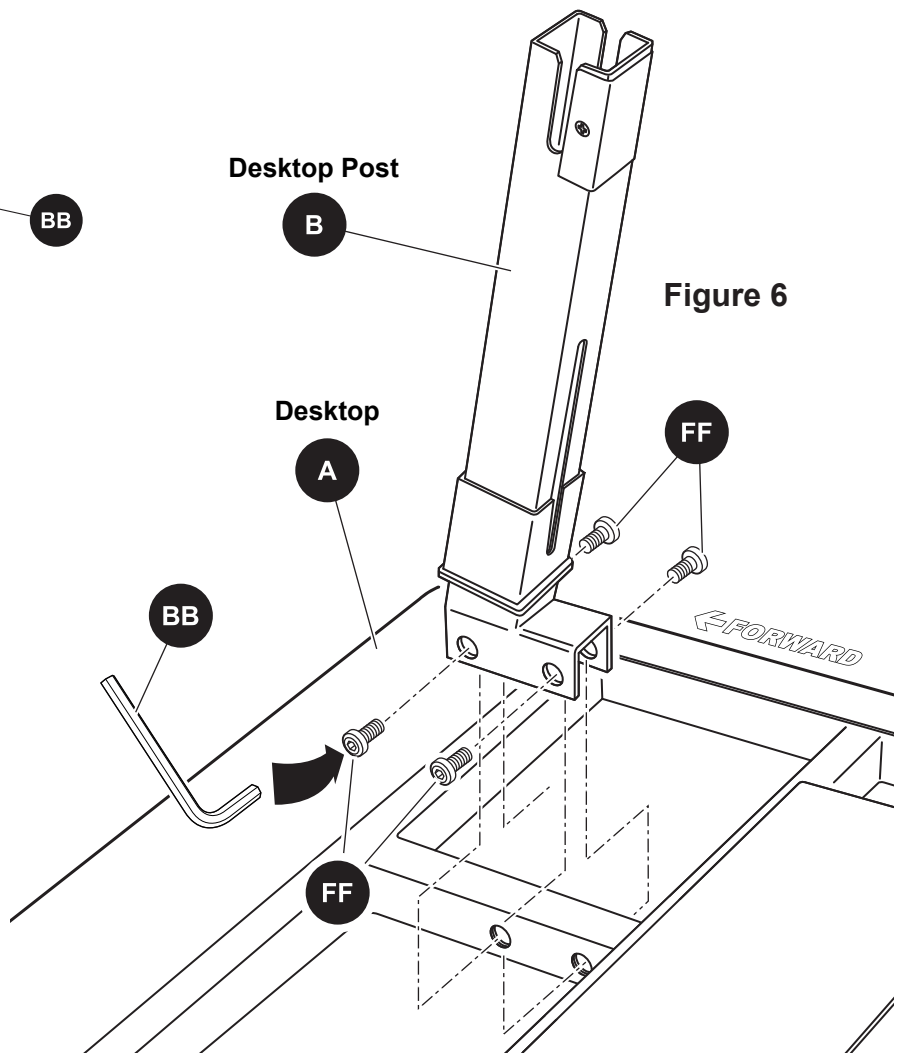
Figure 4

ASSEMBLY

Step 5: Disengage the height adjuster knob by pulling outward and install the seat assembly onto the Main Frame (F). Re-engage the height adjuster knob. Using the 5mm Allen Wrench (BB) (supplied), install the M8*16 Bolt (FF) and lightly hand tighten. Final adjustments to the desired seat height will be completed after final assembly in Step 8. **Figure 5**



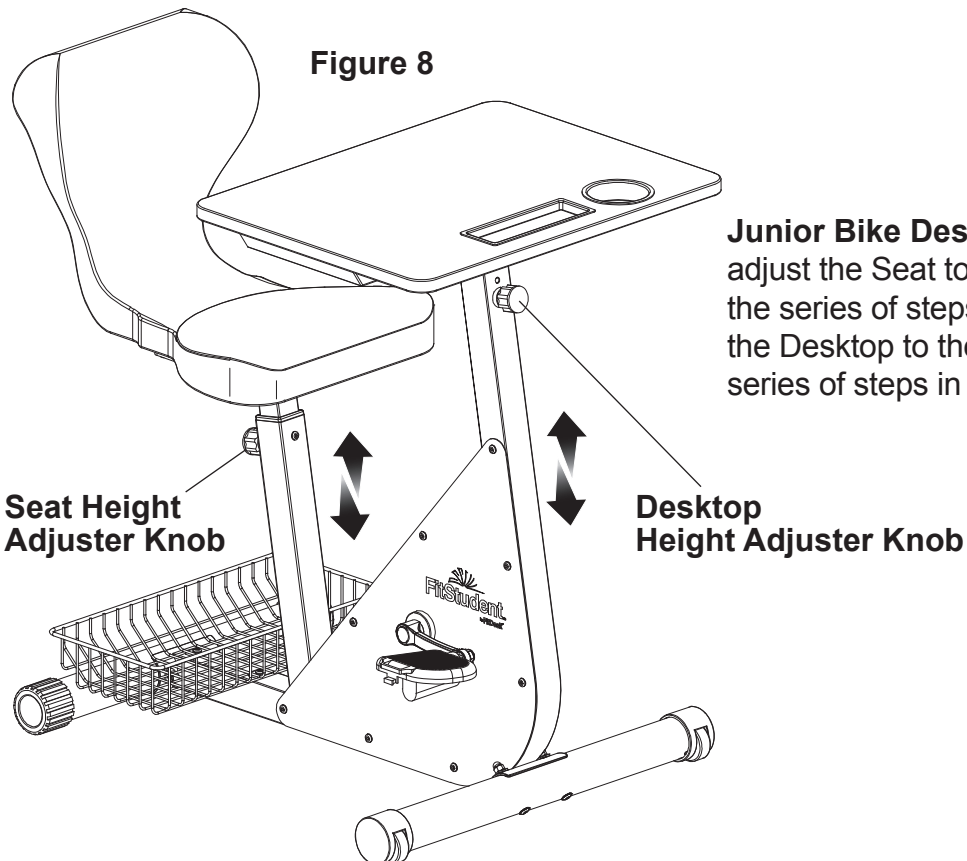
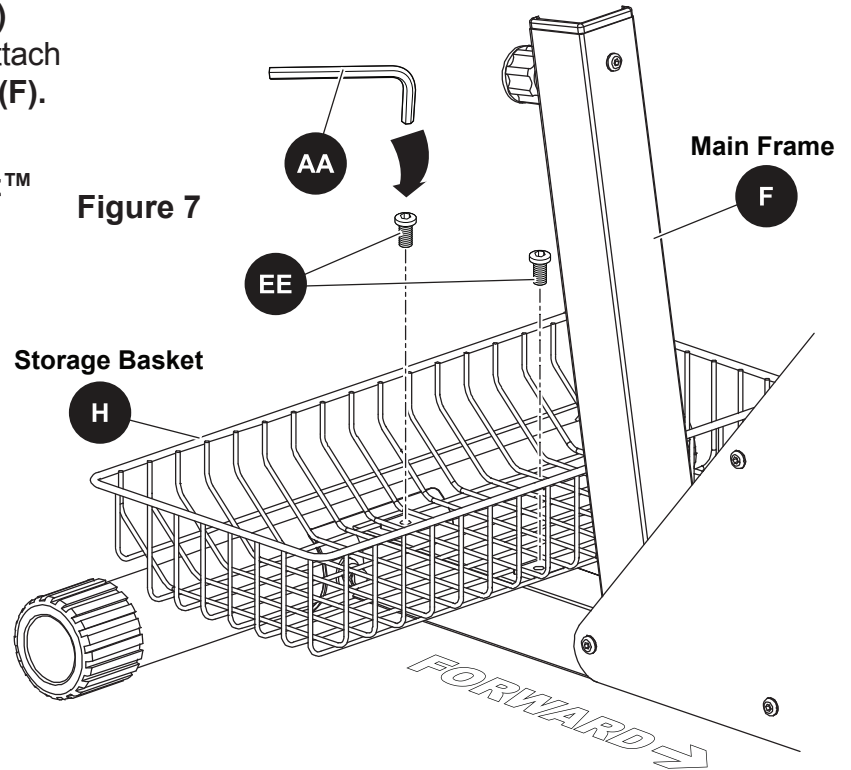
Step 6: Disengage the height adjuster knob by pulling outward from the Main Frame (F). Using the 5mm Allen wrench (BB) (supplied), remove the M8*16 Bolt (BB) and set aside for reinstallation. Remove Desktop Post (B). On a clean surface, free of debris that could possibly scratch the surface, turn the Desktop (A) over to install the Desktop Post (B). Using a 5mm Allen Wrench (BB), install the four M8*16 Bolt (FF) (supplied) and tighten. Upright the Desktop and install the assembly into the Main Frame (D). Reinstall the M8*16 Bolt (FF) and lightly tighten. Final adjustments to the desired desktop height will be completed after final assembly in Step 8. **Figure 6**



ASSEMBLY

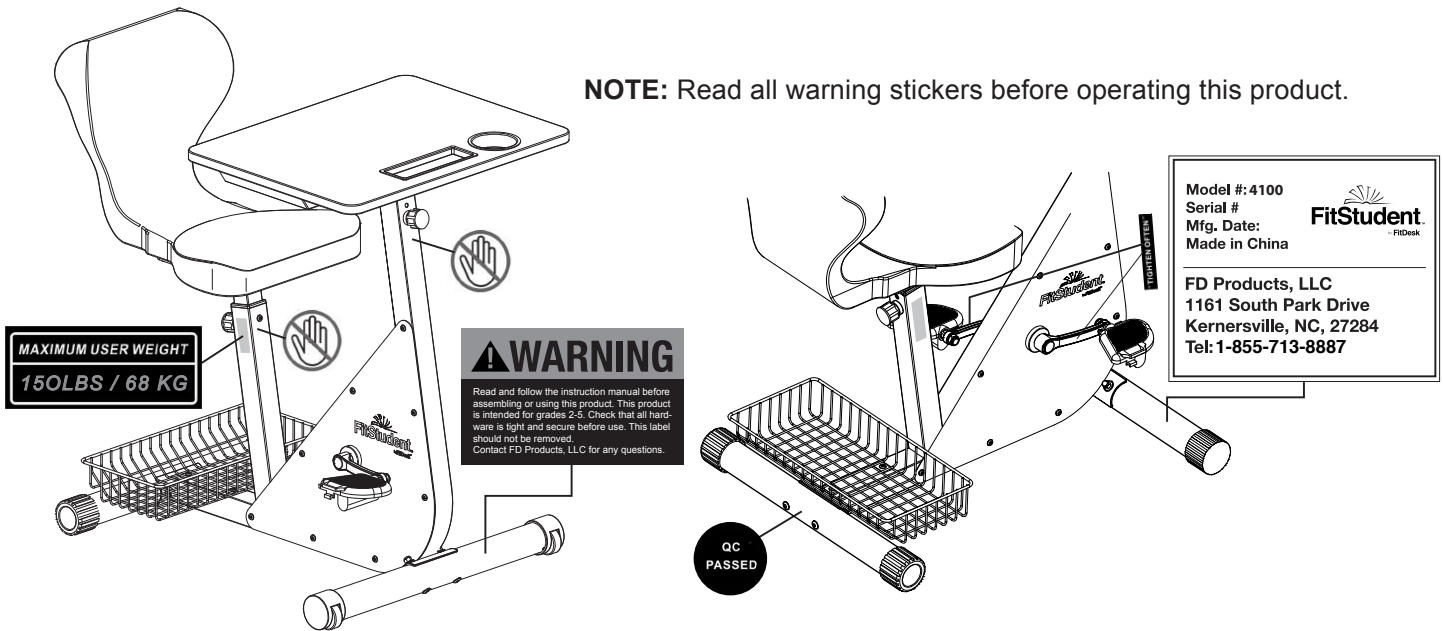
Step 7: Using the 4mm Allen Wrench (**AA**) (supplied), install two M6*12 Bolt (**EE**) to attach the Storage Basket (**H**) to the Main Frame (**F**).
Figure 7

Step 8: Assembly of your new FitStudent™



Junior Bike Desk is complete. If necessary, adjust the Seat to the desired height by following the series of steps in Figure 5. If necessary, adjust the Desktop to the desired height by following the series of steps in Figure 6. **Figure 8**

WARNING and LABELS



MAINTENANCE AND TROUBLESHOOTING

The integrity of the **FitStudent™** bike can only be achieved when it is regularly maintained for damage and wear. Special attention should be given to the following:

HARDWARE

Verify that all bolts are present and properly tightened.

TIP: Inspect nuts, screws and knobs on a weekly basis.

MAIN FRAME, SEAT, SEAT POST

Properly adjust seat for comfort and stability.

NOTE: Check Main Frame, Seat, Seat Post, Desktop mounting areas for wear.

WARNING: Do not use if any sign of frame cracking. Worn or damaged parts and components must be replaced immediately.

PEDALS

Check pedals tightness with 15mm wrench.

NOTE: Make Pedals EXTRA Tight during Assembly.

FRONT and REAR STABILIZERS

Periodically check the Front and Rear Stabilizer bolts for tightness.

WARRANTY

This limited warranty is applicable to each original end-customer (hereinafter "Customer") purchasing the **FitStudent™** Model: 4100 Student Bike Desk consisting of the structural metal frame (hereinafter the "Structural Frame") and various other non-frame components (hereinafter the "Non-Frame Parts") sold by FD Products, LLC (hereinafter "Company") for Customer's own use and not for resale. The Structural Frame and Non-Frame Parts are collectively referred to herein as the "Products".

1. LIMITED WARRANTY; EXCLUSIVE REMEDIES:

1.1. LIMITED WARRANTY ON PRODUCTS: Company warrants solely to the original Customer that (a) the Structural Frame will be free from defects in materials and workmanship under normal use for a period of ONE (1) YEAR from the date of original retail purchase, and (b) the Non-Frame Parts, will be free from defects in materials and workmanship under normal use for a period of NINETY (90) DAYS from the date of original retail purchase. Notwithstanding the foregoing, the colors and finishes of the Products may vary within a reasonable scope due to unavoidable color variations in different production batches, and such variations shall not constitute a material defect. This limited warranty is limited solely to the original Customer with proof of purchase and is not transferable.

1.2. THE WARRANTY: During a covered Product's limited warranty period, Company will, at Company's sole option and discretion, (1) repair the defective component or product without charge or (2) replace the defective component or product without charge.

1.3. The foregoing limited warranty is subject to the Customer's proper storage, transportation, handling and use of the Products as the same are defined within Company's then-current published guides and instructions for use and care. The limited warranty does not include defects due to normal wear and tear, abuse or misuse, mishandling, neglect, accident, fire, lightning, sunlight or other natural hazard, delivery or transportation damage, failure to follow applicable directions or instructions, or improper or inadequate cleaning, maintenance, care, repairs, modifications, or use beyond a Product's intended use.

1.4. LIMITED WARRANTY CLAIMS PROCEDURE: To obtain performance under this limited warranty, Customer shall notify Company in writing (to FD Products, LLC, 1161 South Park Drive, Kernersville, NC 27284, Attn: Customer Service / Warranty Department), by email (to customerservice@thefitdesk.com), or by telephone (to (336) 423-5029) with a full description of the defect that is covered by warranty and a copy of the dated proof of purchase of the applicable product.

- Company shall review each such claim and issue Customer a return merchandise authorization ("RMA") in the event that the described defect or condition merits warranty review as determined by Company. Customers who have been issued a RMA shall, at Company's election, return the covered item to the same physical address listed above for reporting initial claims. Company shall not accept any returned product without a RMA.

- Upon receipt, Company will evaluate the returned product(s) to determine if there is a warranty claim and, if so, how Company wishes to remedy the same. During a covered product's respective limited warranty period, Company will, at Company's sole and absolute option and discretion, (1) repair the defective component or product without charge or (2) replace the defective component or product without charge. Refunds are not available pursuant to this limited warranty.

- Customer is solely responsible for transportation of the covered product(s) to the Company for evaluation (if applicable and requested by Company). In the event that Company determines that a claim under this limited warranty is justified, Company shall be responsible for transportation of the repaired, corrected, replaced or exchanged product back to Customer. Customer shall be solely responsible for the transportation of any product back to Customer if Company determines that a claim under this warranty is not justified.

- Any repaired, corrected, replaced or exchanged Products shall be subject to the Limited Warranty set forth to the duration of the original limited warranty period as set forth in Section 1.1. and not for any extended duration, following their repair, correction, replacement or exchange.

WARRANTY

1.1. IF A COMPANY PRODUCT DOES NOT CONFORM TO THESE LIMITED WARRANTIES, THE PURCHASER'S SOLE AND EXCLUSIVE REMEDY IS, AT COMPANY'S SOLE AND EXCLUSIVE OPTION, THE (1) REPAIR OF ANY DEFECTIVE PRODUCT OR COMPONENT PART OR (2) REPLACEMENT OF ANY DEFECTIVE PRODUCT OR COMPONENT PART. THE LIMITED WARRANTY AND REMEDIES SET FORTH ABOVE ARE EXCLUSIVE AND MADE IN LIEU OF ALL OTHER WARRANTIES, REMEDIES, RIGHTS OR CONDITIONS, WHETHER ORAL OR WRITTEN, EXPRESS OR IMPLIED, EITHER IN FACT OR BY OPERATION OF LAW, STATUTORY OR OTHERWISE, INCLUDING THE IMPLIED WARRANTIES OF MERCHANTABILITY AND FITNESS FOR A PARTICULAR PURPOSE. COMPANY SPECIFICALLY DISCLAIMS, WITHOUT LIMITATION, ANY AND ALL OTHER WARRANTIES, EXPRESS OR IMPLIED, OF ANY KIND. IF COMPANY CANNOT LAWFULLY DISCLAIM IMPLIED WARRANTIES UNDER THIS LIMITED WARRANTY, ALL SUCH WARRANTIES, INCLUDING THE IMPLIED WARRANTIES OF MERCHANTABILITY AND FITNESS FOR A PARTICULAR PURPOSE, ARE LIMITED IN DURATION TO THE DURATION OF THIS LIMITED WARRANTY. The Company does not assume or authorize any person to assume for them any other liability in connection with the Products.

2. EXCLUSION AND LIMITATION OF LIABILITY:

IN NO EVENT, WHETHER BASED ON CONTRACT OR TORT OR OTHER LEGAL THEORY, SHALL COMPANY BE LIABLE FOR ANY INDIRECT, INCIDENTAL, PUNITIVE, SPECIAL OR CONSEQUENTIAL DAMAGES, INCLUDING BUT: NOT LIMITED TO, DAMAGES TO OTHER PROPERTY, INCONVENIENCE, DAMAGES FOR LOSS OF PROFITS, REVENUE, GOODWILL OR USE, INCURRED BY CUSTOMER OR ANY THIRD PARTY, WHETHER IN AN ACTION IN CONTRACT, TORT, STRICT LIABILITY, OR IMPOSED BY STATUTE, OR OTHERWISE, EVEN IF ADVISED OF THE POSSIBILITY OF SUCH DAMAGES. Some states do not allow the exclusion or limitation of incidental or consequential damages or exclusions or limitations on the duration of implied warranties or conditions, so the above limitations or exclusions may not apply to Customer. In jurisdictions that limit the scope of or preclude limitations or exclusion of remedies or damages, or of liability, such as liability for gross negligence or willful misconduct or do not allow implied warranties to be excluded, the limitation or exclusion of warranties, remedies, damages or liability set forth above are intended to apply to the maximum extent permitted by applicable law. This limited warranty gives the Customer specific legal rights, and the Customer may also have other rights that vary by state, country or other jurisdiction.

3. SEVERABILITY:

If any provision of this limited warranty is held to be illegal, invalid or otherwise unenforceable, such provision will be enforced to the extent possible consistent with its stated intention, or, if incapable of such enforcement, will be deemed to be severed and deleted from this limited warranty, while the remainder of the terms of this limited warranty will continue in full force and effect.

4. DISPUTE RESOLUTION:

This FitDesk Limited Warranty shall be governed by and construed in accordance with the laws of the State of North Carolina, without regard to its principles of conflicts of law. The parties acknowledge the exclusive jurisdiction of the federal and state courts of the State of North Carolina. Any claims or disputes under this FitDesk Limited Warranty shall be heard exclusively in any state or federal courts sitting in Guilford County, North Carolina, and both parties expressly consent to the personal jurisdiction and venue of the North Carolina state and federal courts for such actions.

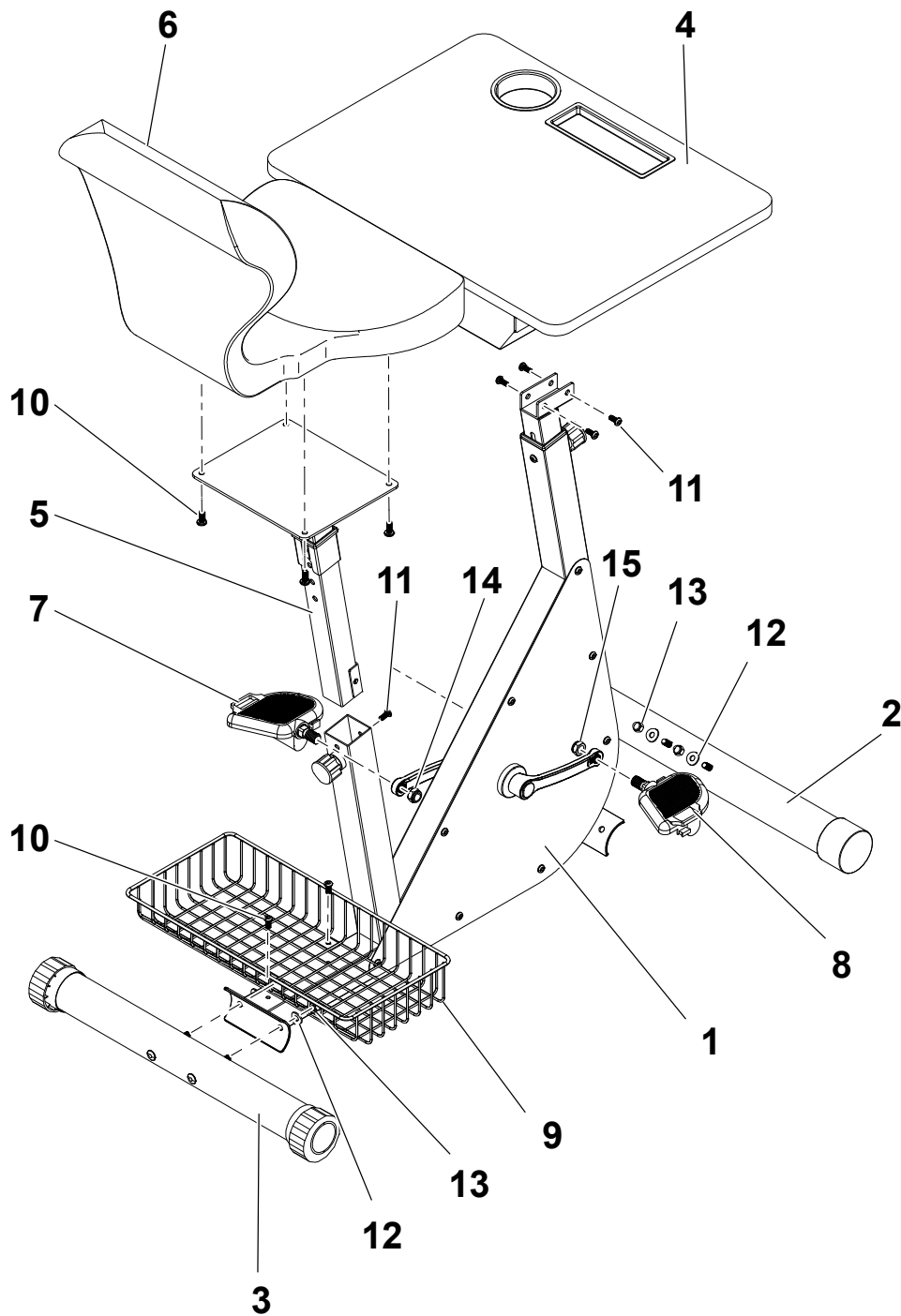
COMPLETE PARTS LIST

DESCRIPTION:	QTY.
1. Main Frame	1
2. Front Stabilizer	1
3. Rear Stabilizer	1
4. Desktop	1
5. Seat Support Frame	1
6. Seat	1
7. Left Pedal	1
8. Right Pedal	1
9. Basket	1
10. M6*12 Hex Screws	6
11. M8*16 Hex Screws	5
12. M8 Curved Washer	4
13. M8 Nut	4
14. 9/16" Nut (Left-Hand Thread)	1
15. 9/16" Nut (Right-Hand Thread)	1

REPLACEMENT PARTS

DESCRIPTION:	QTY.
106L Pedal Left 9/16	1
106R Pedal Right 9/16"	1
103A Allen Wrench	1
103B Wrenches (supplied)	1

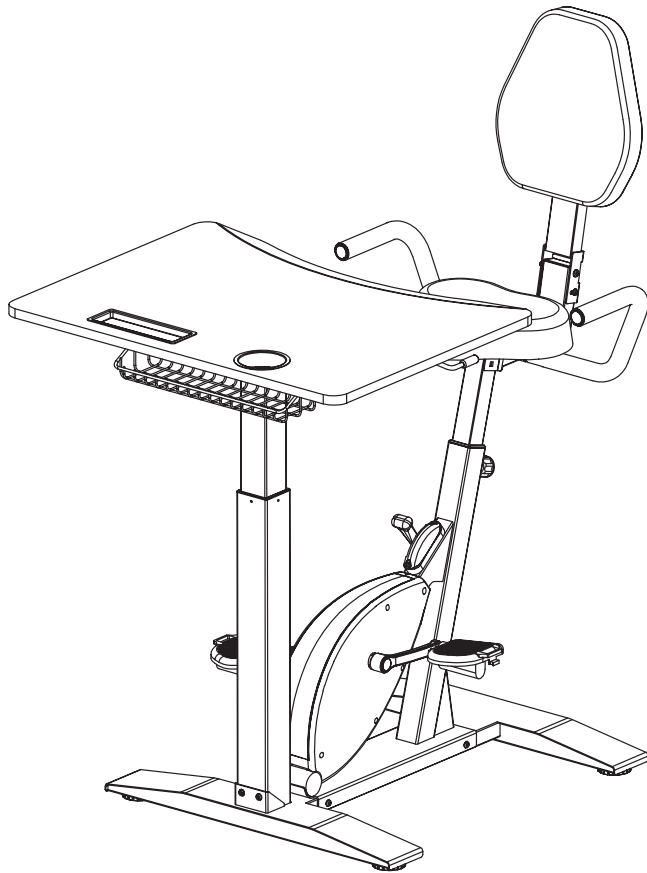
EXPLODED VIEW



**For Questions or Replacement Parts Contact:
1-855-713-8887**

MONDAY - FRIDAY 9 A.M. - 5 P.M. EST

OTHER GREAT PRODUCTS FROM FitDesk®



FitStudent™ Varsity Bike Desk

Model: 4150

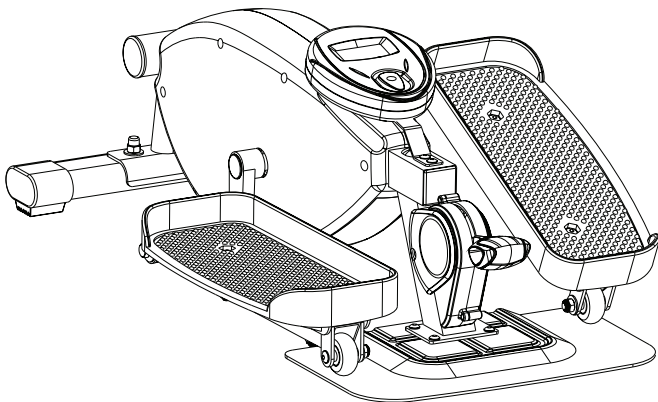
This Desk Bike provides a proven, alternative method of learning for middle, high school, and college age students.

Dimensions

- 31" x 23" desk surface
- 30" x 26" footprint
- Product weight: 93 lbs.
- Grades 6 - 12th, College
- Weight limit 250 lbs.

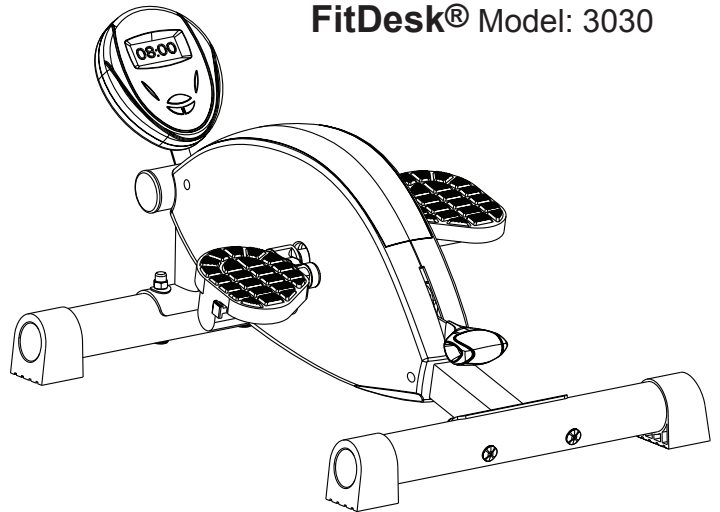
Under Desk Elliptical

FitDesk® Model: 3040



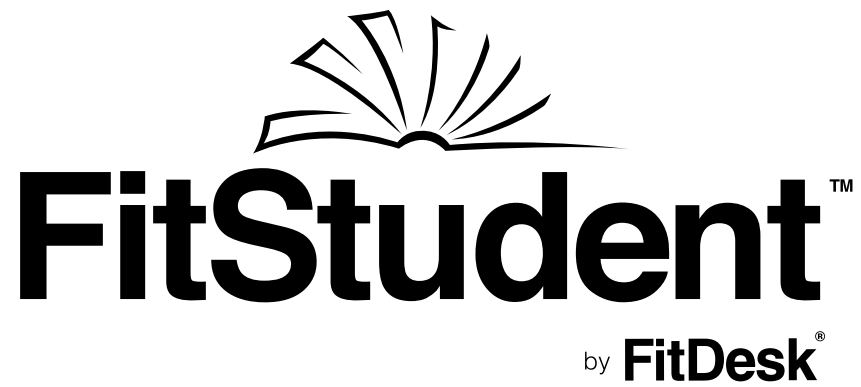
Under Desk Cycle

FitDesk® Model: 3030



To purchase additional items, please visit Website @ www.thefitdesk.com
Products > Accessories & Parts





FitStudentTM

by **FitDesk[®]**



[facebook.com / Fitdesk](https://facebook.com/Fitdesk)

FitDesk[®] is a registered trademark of FD Products LLC. - All Rights Reserved 2017

Updated 10/23/17