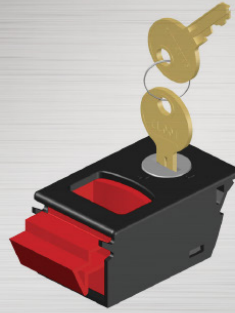


# 6



## SECTION SIX

6-1 FLUSH LOCK

6-2 SLIDE LATCH

6-3 LOCKABLE SLIDE LATCH

6-4 NON LOCKABLE SLIDE LATCH

6-5 PANEL LOCK

6-6 FLUSH PULL RING LATCH

# FLUSH LOCK

## FEATURES:

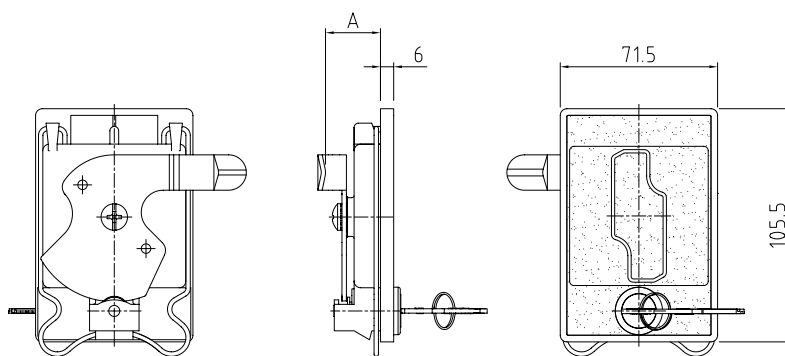
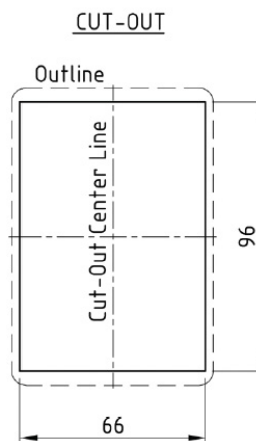
- Flush fitting
- Easy assembly
- Multiple key combinations available
- Economically priced

## DIMENSIONS:

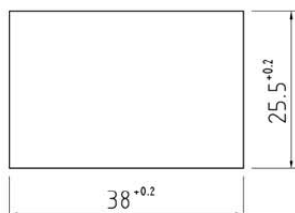
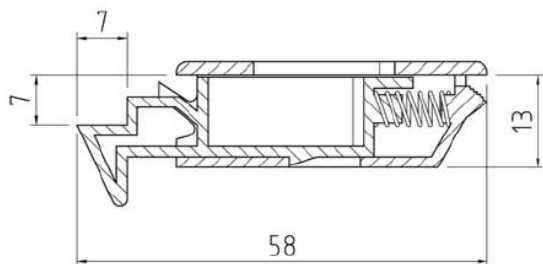
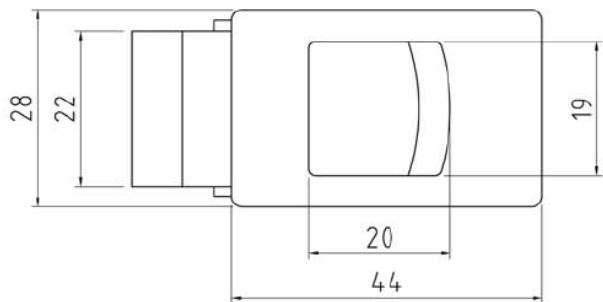
Height = 105.5mm  
Width = 71.5mm

## MATERIAL & FINISH:

Handle Zinc die, Chrome plated  
Base Zinc die, Black powder coated  
Cam Mild steel, Zinc plated



KEY CODE	DIMENSION "A"	HANDEDNESS	PART NUMBER
92268	15mm	RH	ALFR02C
92268	25mm	RH	ALFR02
CL001	15mm	RH	ALFR01C
CL001	25mm	RH	ALFR01
CL001	29mm	RH	ALFR01V



CUT-OUT

# SLIDE LATCH

## FEATURES:

- Suits 0.8mm to 2.3mm door thickness
- 6mm stroke

## MATERIAL:

Polyamide



COLOUR

Black - Black

PART NUMBER

PI5142-00-2

# LOCKABLE SLIDE LATCH

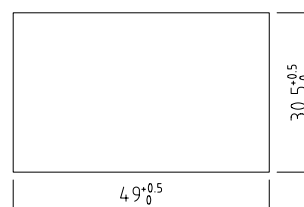
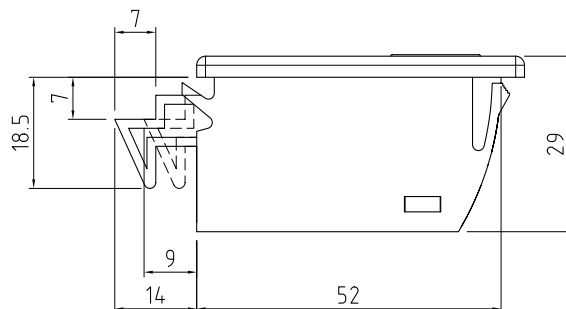
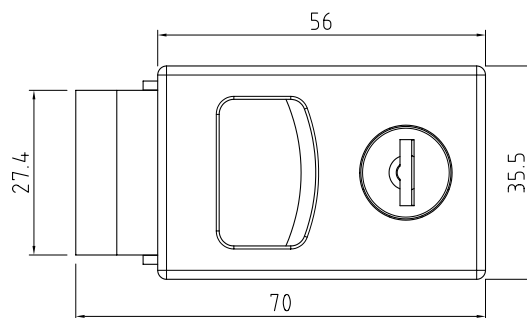
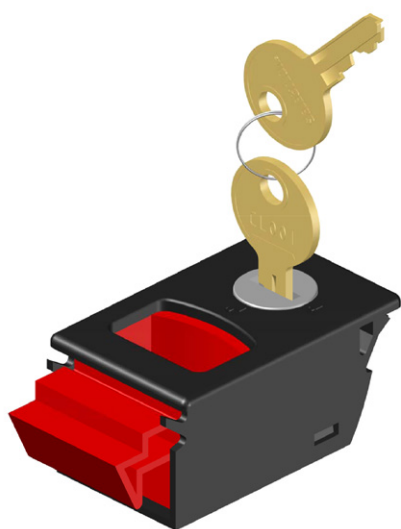
## FEATURES:

- Suits 0.8mm to 2.3mm door thickness
- 6.5mm stroke

## MATERIAL:

Polyamide

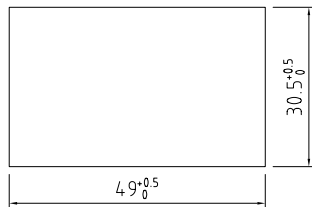
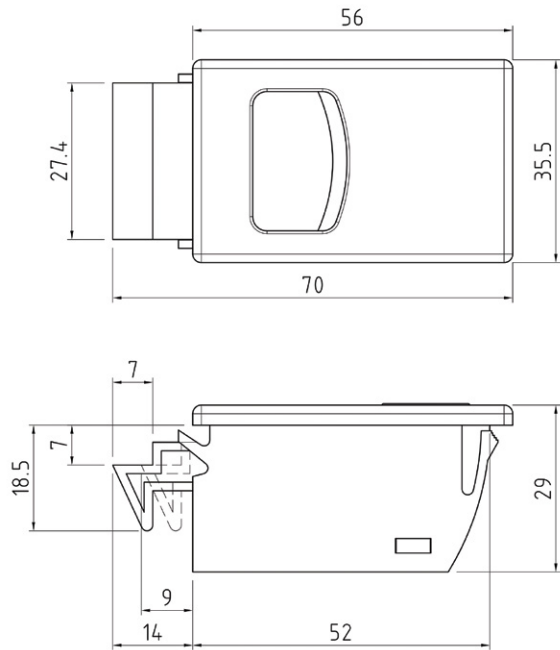
\*\*Also available with slam shut while in locked state



CUT-OUT

KEY CODE	COLOUR	PART NUMBER
CL001	Black - black	PI5259-02-01
92268	Black - black	PI5259-02-02

\*Other dimension available upon request moq applies



CUT-OUT

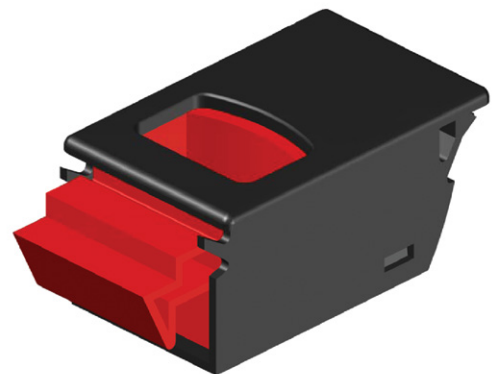
# NON LOCKABLE SLIDE LATCH

## FEATURES:

- Suits 0.8mm to 2.3mm door thickness
- 6mm stroke

## MATERIAL:

Polyamide



COLOUR

Black - black

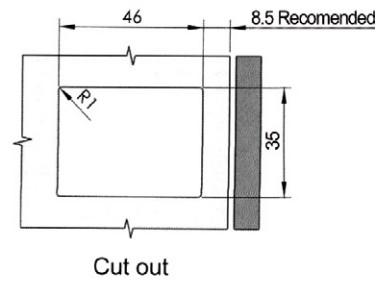
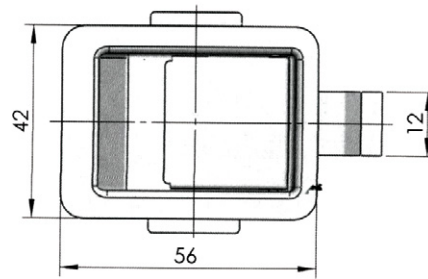
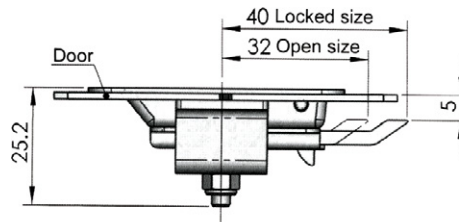
PART NUMBER

PI5303-02

# PANEL LOCK

## MATERIAL:

Wire drawing polished stainless steel

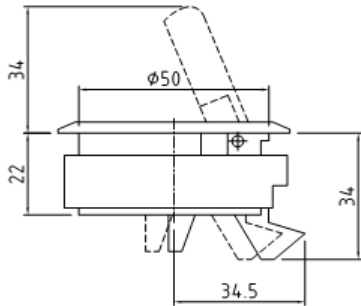
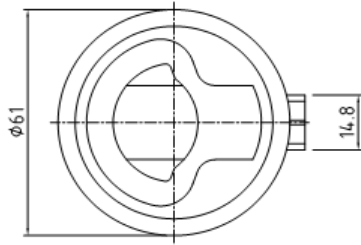


MATERIAL

Stainless steel

PART NUMBER

MS866-8



# FLUSH PULL RING LATCH

## MATERIAL & FINISH:

- ABS
- Nylon



DESCRIPTION	PART NUMBER
Pull ring latch	94009



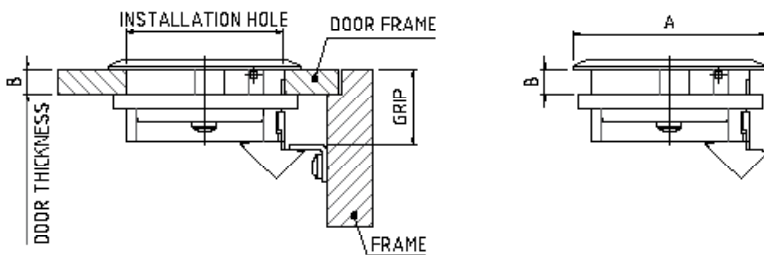
# FLUSH PULL RING LATCH STAINLESS STEEL

## FEATURES:

- Pull the handle to open
- Suitable for left and right hand opening

## MATERIAL & FINISH:

316 grade stainless steel, Mirror like finish



DIAMETER	PART NUMBER
61mm	94009SS

