

23



SECTION TWENTY THREE

[23-1 PUSH KNOB WITH LATCH](#)

[23-2 PUSH KNOB HANDLE](#)

[23-3 HANDLE](#)

[23-3 FURNITURE CATCH](#)

PUSH KNOB WITH LATCH

FUNCTION:

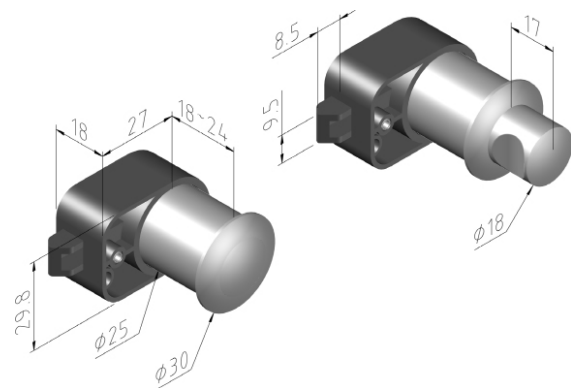
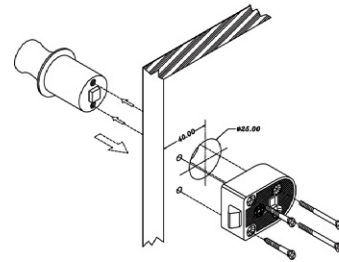
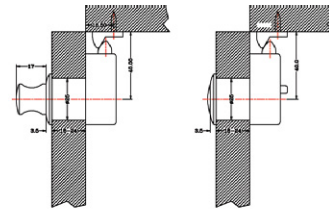
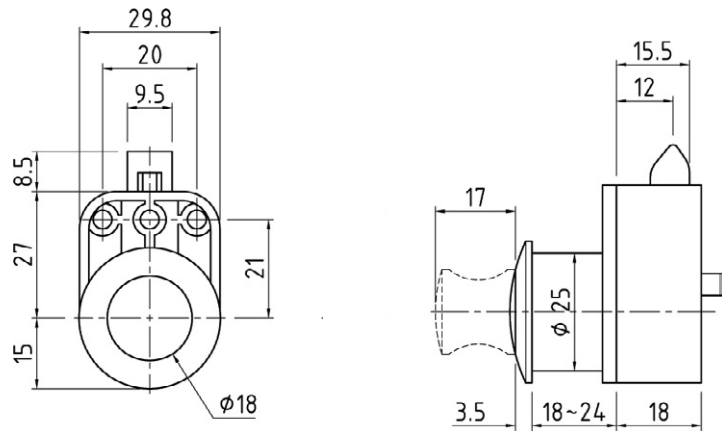
Close the door, push the knob, activate and secure the latch so the door will not open until the knob is pushed again, suitable for left and right side use. Push knob functions as handle while unlocked. High quality plated zinc alloy push knob guarantees the function

MATERIAL:

Plastic bottom black color, Zinc alloy knob

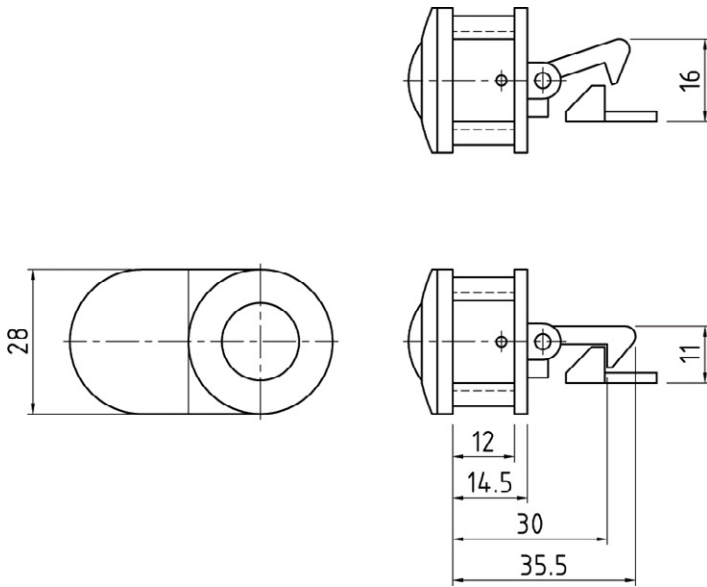
APPLICATION:

Yachts, caravan, mobile homes, floating houses, etc.



FINISH	PART NUMBER
Nickel plated	C-N5100Z
Black nickel plated	C-BN5100Z
Matte nickel plated	C-MN5100Z

PUSH HANDLE KNOB

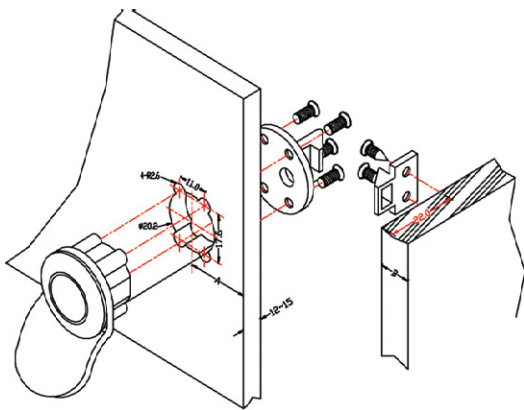


FUNCTION:

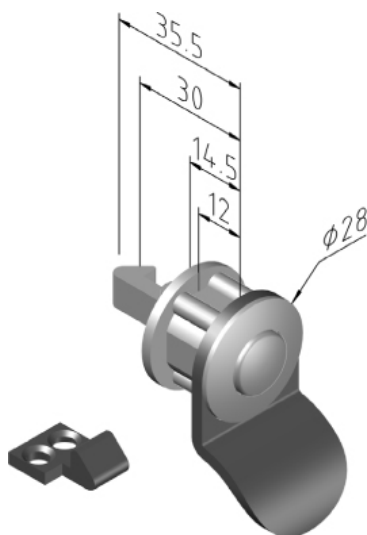
Close the cabinet door/drawer to lock automatically, Hold the soft plastic handle and thumb down withdraw the knob to the door or drawer

MATERIAL:

Zinc alloy knob, Soft plastic handle



$$A=B+8.5$$

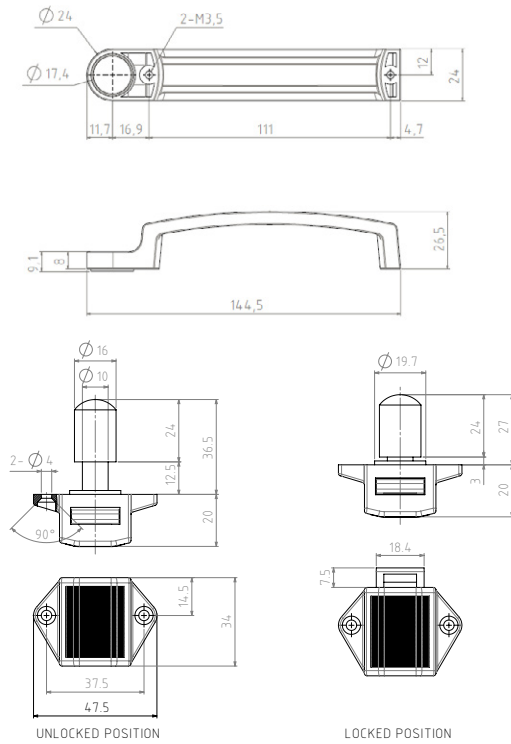


FINISH	PART NUMBER
Nickel plated	C-N5100Z-1
Black nickel plated	C-BN5100Z-1

HANDLE

MATERIAL & FINISH:

Housing Zinc die
Surface Silver pale galvanised



Description	PART NUMBER
Handle	01598T75599
Push Button	01598T75699
Push button lock cover	01595T56081

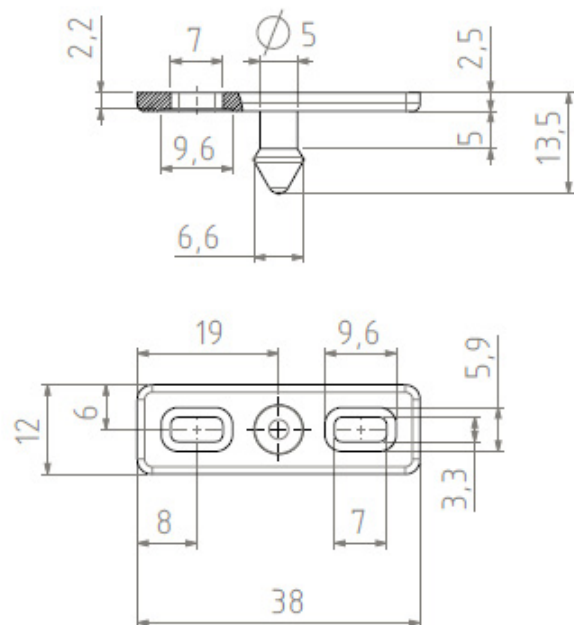
FURNITURE CATCH

MATERIAL:

Plastic

COLOUR:

Brown



Description	PART NUMBER
Male part	01597T08199
Female part	01597T08099