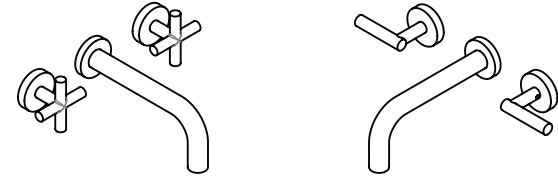

INSTALLATION INSTRUCTIONS FOR: Wall Lavatory Set & Wall Tub Set

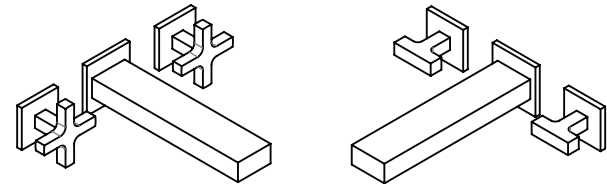
PHYLRICH®

Defining Luxury Since 1959



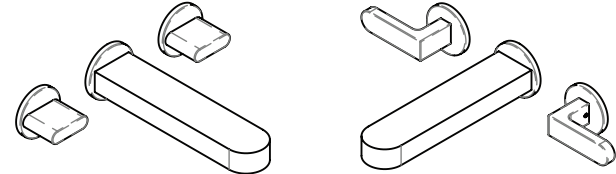
TRANSITION

PART# 120-11, 120-12 & 120-56, 120-57



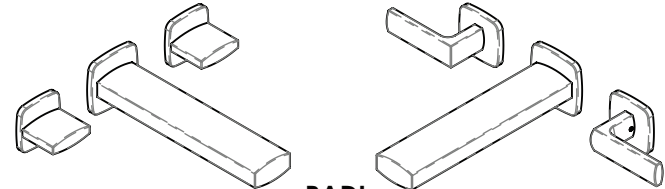
CROI

PART# 255-11, 255-12 & 255-56, 255-57



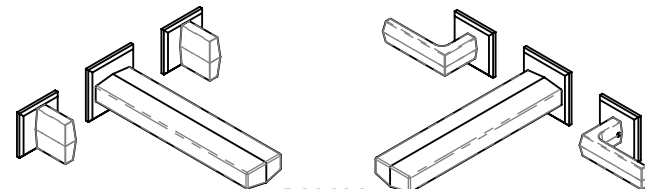
ROND

PART# 183-11, 183-12 & 183-56, 183-57



RADI

PART# 181-11, 181-12 & 181-56, 181-57



DIAMA

PART# 184-11, 184-12 & 184-56, 184-57

GENERAL CHARACTERISTICS

WE RECOMMEND THAT ALL PLUMBING PRODUCTS BE INSTALLED BY A LICENSED PROFESSIONAL

IMPORTANT: Thoroughly read instructions before installation.

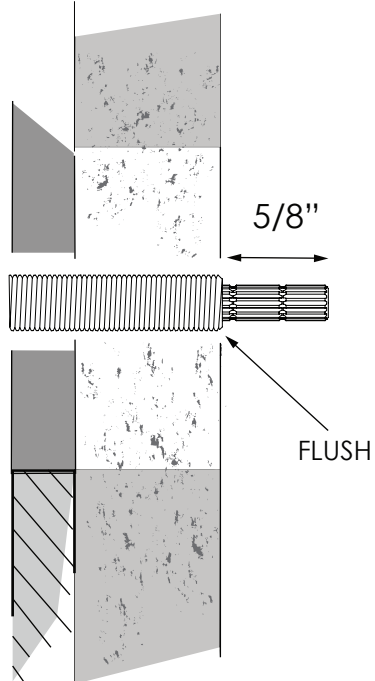
OPTIONAL

CUT IF NECESSARY



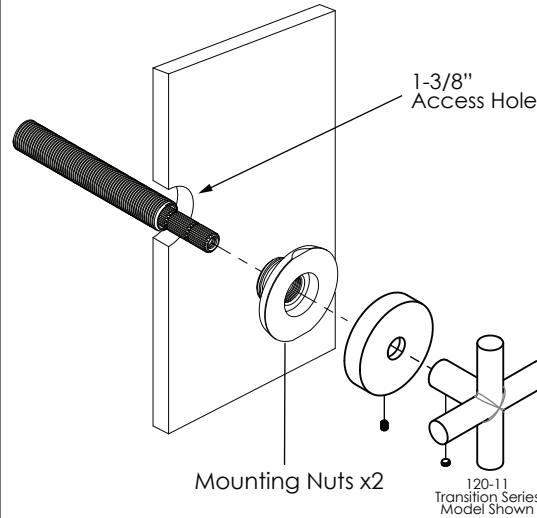
STEP 1

All thread should be Flush to the Finished Wall, while the STEM should not extend farther than 5/8" from the Finished Wall.



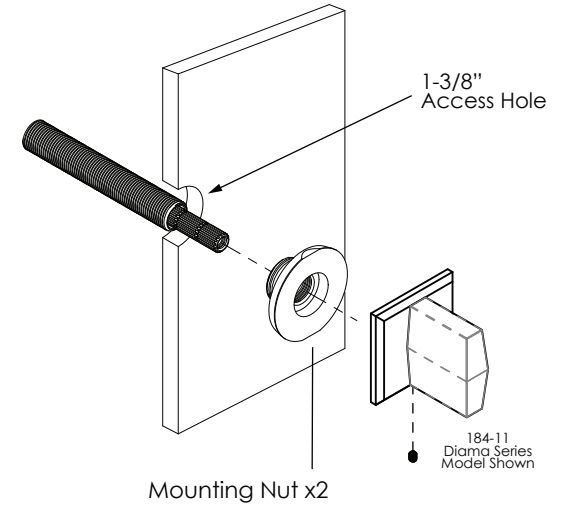
STEP 2 For PART # 120-11, 120-12, 255-11, 255-12, 183-12, & 184-12

Screw the **Mounting Nut to the All thread**, then insert the **escutcheon** and use the *mounting screw* to ensure that it is *tighten*. Followed by the handle and tighten with the screw provided.



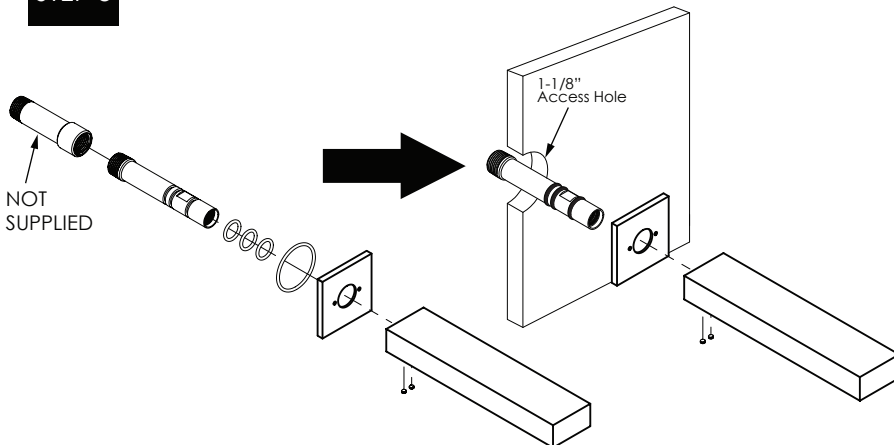
STEP 2 For PART # 181-11, 183-11, 184-11

For the Blade Handles, since the handle is pre-assemble you just have to insert the Handle unto the Mounting Nut and use the screw to tighten the escutcheon.



STEP 3

Insert the shank, then followed by the escutcheon and the spout. ensure that the spout screws provided are tight.



STEP 3

NOTE: FOR INSTALLING TRANSITION SPOUT (120 SERIES) FOLLOW THIS STEP:

The Spout will be connected directly to the Nipple (**Not Provided**). Follow the diagram below.

